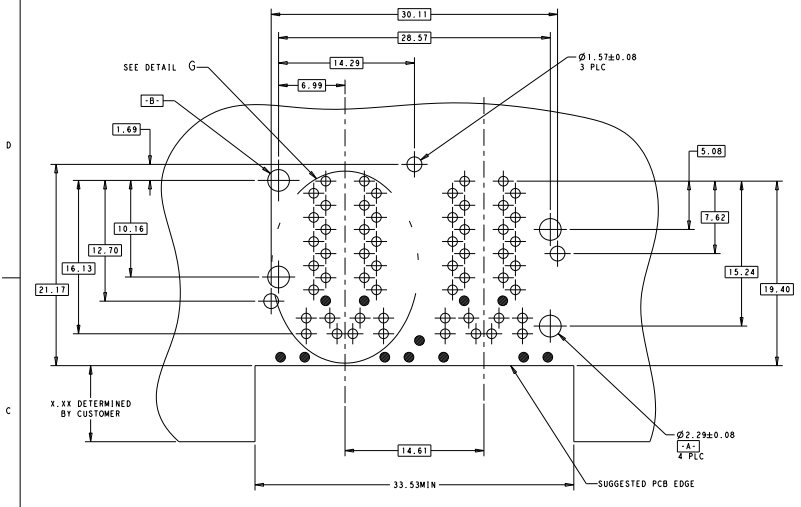
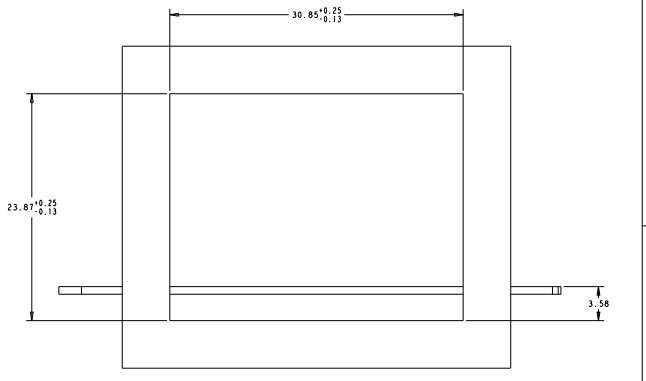


THIS DRAWING IS A CONTROLLED DOCUMENT		REV: RICHARD GLO	DATE: 08/08/2007	REV: RICHARD GLO	DATE: 08/08/2007
DRAWN BY: RICHARD GLO		DESIGNED BY: RICHARD GLO	APPROVED BY: RICHARD GLO	STE TE Connectivity	
PART NO: 1840922		DESCRIPTION: 2X2 MAG45(1M) MODULAR JACK, OFFSET		S8056 GIGABIT CIRCUIT, W/ LED-S	
MATERIAL: 1840922		SPECIFICATION: 1840922		TYPE: 1840922	
REV: 1		DATE: 08/08/2007		SCALE: 4:1	
CUSTOMER DRAWING		DRAWING NO: 1840922		SHEET: 2 OF 4	

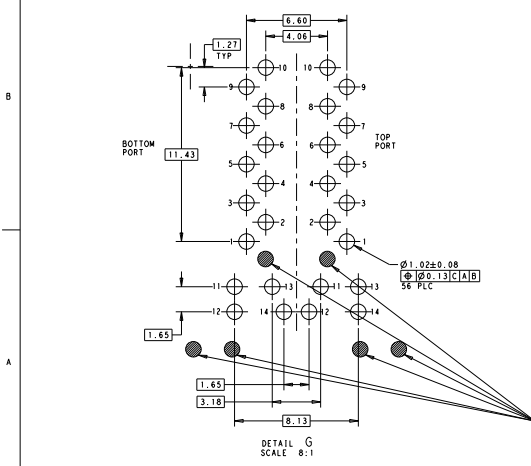
REV	DATE	DESCRIPTION	BY	CHK
1		SEE SHEET 1		



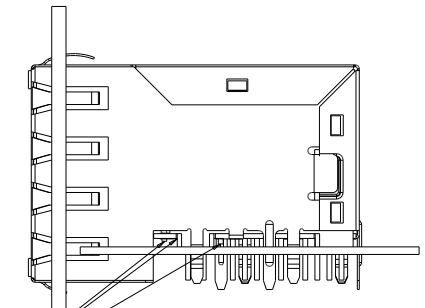
RECOMMENDED PC BOARD LAYOUT VIEW FROM COMPONENT SIDE



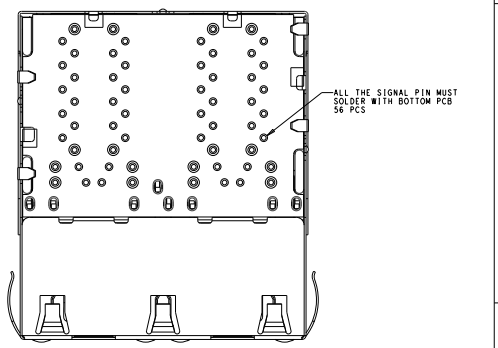
RECOMMENDED PANEL CUT-OUT



DETAIL G SCALE 8:1



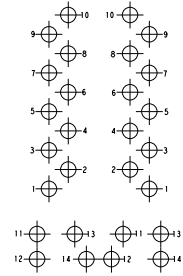
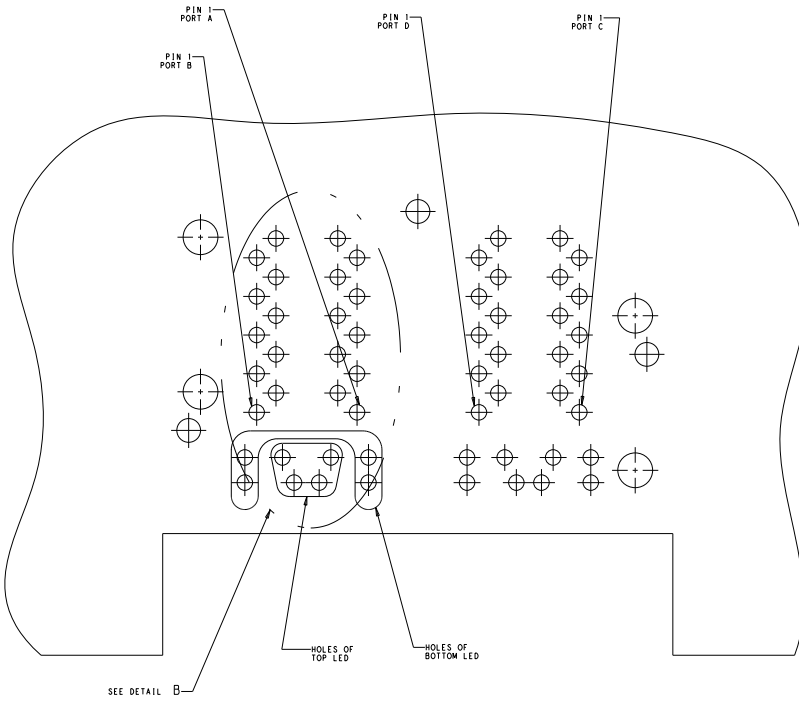
PIN 08, BOTTOM LED'S PIN ON MOD JACK AND BOTTOM PCB ARE STUB PINS WITH LENGTH SIMILAR TO PCB STANDOFF HEIGHT PRECAUTIONS SHOULD BE TAKEN IN PCB DESIGN TO GUARD AGAINST SHORTING TRACES TO STUB PINS



ALL THE SIGNAL PIN MUST SOLDER WITH BOTTOM PCB 56 PCS

THIS DRAWING IS A CONTROLLED DOCUMENT		REV: RICHARD.GLO (000000)	DATE: 2/20/2007	REV: RICHARD.GLO (000000)	DATE: 2/20/2007
DESIGNED BY: RICHARD.GLO	DESIGNED DATE: 2/20/2007	DESIGNED BY: RICHARD.GLO	DESIGNED DATE: 2/20/2007	DESIGNED BY: RICHARD.GLO	DESIGNED DATE: 2/20/2007
CHECKED BY: RICHARD.GLO	CHECKED DATE: 2/20/2007	CHECKED BY: RICHARD.GLO	CHECKED DATE: 2/20/2007	CHECKED BY: RICHARD.GLO	CHECKED DATE: 2/20/2007
APPROVED BY: RICHARD.GLO	APPROVED DATE: 2/20/2007	APPROVED BY: RICHARD.GLO	APPROVED DATE: 2/20/2007	APPROVED BY: RICHARD.GLO	APPROVED DATE: 2/20/2007
TITLE: 2X2 MAGASITM MODULAR JACK, OFFSET SHIELDED, WAVE PANEL GROUND TABS		PART NUMBER: 1840922			
DRAWN BY: RICHARD.GLO		SCALE: 5:1			
DATE: 2/20/2007		SHEET: 3 OF 4			

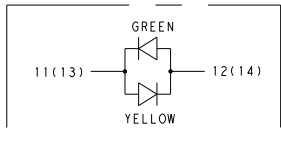
REVISONS		DATE	BY	TYPE
1	SEE SHEET 1	-	-	-



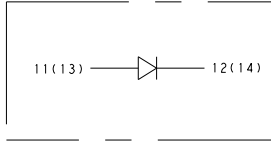
DETAIL B
SCALE 8:1

LED HOLE DESIGNATIONS VIEWED FROM COMPONENT SIDE

B1-COLOR-LED



SINGLE-COLOR-LED



THIS DRAWING IS A CONTROLLED DOCUMENT		BY: RICHARD GILG (000000)	DATE: 11/01/2000	 TE Connectivity
DRAWN BY: FRANK LIU (000000)		DATE: 11/01/2000	DATE: 11/01/2000	
SYMBOL:	DESCRIPTION:	REV:	DATE:	DESCRIPTION:
1	2X2 MAGAZINE MODULAR JACK, OFFSET	1	11/01/2000	2X2 MAGAZINE MODULAR JACK, OFFSET
2	8056 GIGABIT CIRCUIT, W/ LED'S	1	11/01/2000	8056 GIGABIT CIRCUIT, W/ LED'S
3	SHIELDED, WAVE PANEL GROUND TABS	1	11/01/2000	SHIELDED, WAVE PANEL GROUND TABS
MATERIAL:		QUANTITY:	PRICE:	DATE:
CUSTOMER DRAWING		1	100779	1840922