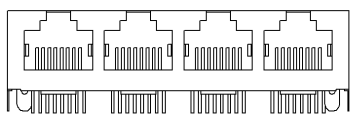
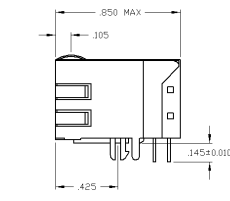
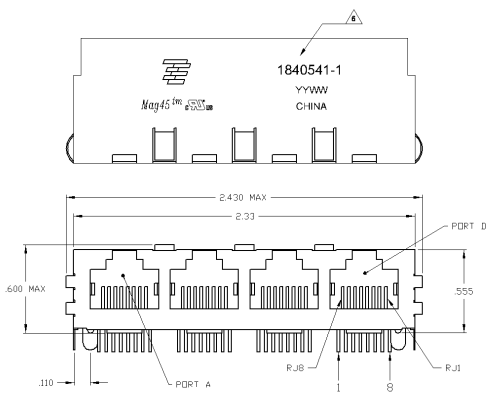
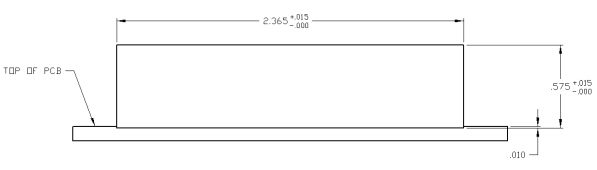


MECHANICAL:



P/N 1840541-3 SHOWN
NO PANEL GROUNDS



1X4 SUGGESTED PANEL CUTOUT

- MATERIALS:**
 - HOUSING - THERMOPLASTIC PET POLYESTER FLAMMABILITY RATING UL 94V-0
 - SHIELD - .030" THICK, C26800 BRASS PREPLATED WITH 30µINCH MIN SEMI-BRIGHT NICKEL
 - SOLDER TABS POST DIPPED WITH 50µINCH MIN SAC SOLDER
 - MOD JACK CONTACTS - 0.0157 X 0.018" PHOSPHOR BRONZE, 50µINCH MIN OVERALL NICKEL UNDERPLATE WITH SELECT 50µINCH MIN HARD GOLD FINISH PLATE. SOLDER TAILS WITH 50µINCH MIN MATTEN AND/OR SAC SOLDER DIP
- RHS JACK GAVITY CONFORMS TO FCC RULES AND REGULATIONS PART 68, SUB PART F.**
- MAGNETICS:**
 - IMPEDANCE: 100 OHMS
 - TURNS RATIO (CHIP CABLE): TX x 11, RX x 11
 - OPEN CIRCUIT INDUCTANCE (OCL): 350pH MIN @ 100MHz, 0.1VRMS
 - BIAS FROM 0°C TO 70°C, TX AND RX
 - PERFORMANCE @ 25°C:
 - INSERTION LOSS (IL): 1dB MAX FROM 0.5MHz TO 100MHz
 - RETURN LOSS (RL): 18dB MIN FROM 0.5MHz TO 100MHz
 - 18-20LOGE/50dB MIN FROM 30 MHz TO 60MHz
 - 12dB MIN FROM 60 MHz TO 100MHz
 - CROSSTALK ATTENUATION: 35dB MIN FROM 0.5MHz TO 40MHz
 - 33-20*LOGE/50dB MIN FROM 40 MHz TO 100MHz
 - COMMON MODE REJECTION RATIO (CMRR): 30dB MIN FROM 0.5MHz TO 100MHz
 - ISOLATION VOLTAGE: COMPLES WITH IEEE802.3.2002, PARA 23.5.1.1, ITEM b.

- OPERATING TEMPERATURE: FROM 0°C TO +70°C
- INDICATED CONNECTIONS ARE FOR HUB CONFIGURATION. THE MAGNETICS ARE SYMMETRICAL, AND SUPPORT AUTO-HUB/MIX
- TYCO ELECTRONICS LOGO, PART NUMBER, DATE CODE, COUNTRY OF ORIGIN AND AGENCY APPROVAL MARKING IN APPROPRIATE LOCATION SHOWN
- THESE PARTS ARE RECOMMENDED FOR WAVE SOLDERING PROCESS. PREHEAT TEMPERATURE IS 120°C TO 140°C, 10 SECONDS TO 180 SECONDS. PEAK WAVE SOLDERING TEMPERATURE IS 240°C MAX. 10 SECONDS MAX.

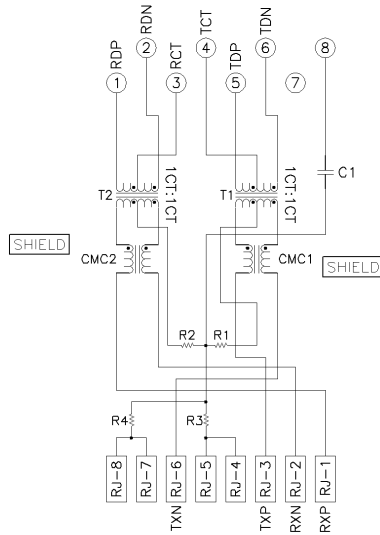
WITH HIGH IMPEDANCE COPE	0	1840541-3
	7	1840541-1

REMARK	PANEL GROUND TABS	PART NUMBER
--------	-------------------	-------------

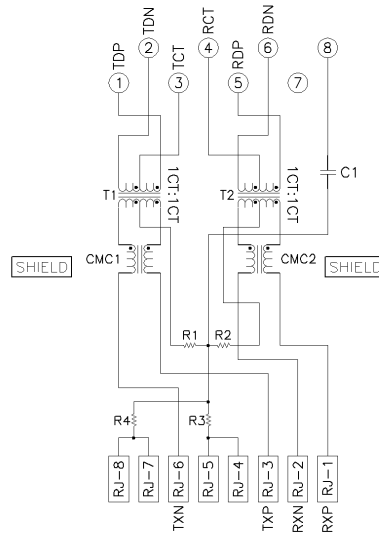
THIS DRAWING IS A CONTROLLED DOCUMENT.		Rev. No. 13 JUN 00	TYCO Electronics Type Document Corporation
DATE	BY	DATE	CHK
01/08/00	1	13 JUN 00	1
02/08/00	2	13 JUN 00	1
03/08/00	3	13 JUN 00	1
04/08/00	4	13 JUN 00	1
05/08/00	5	13 JUN 00	1
06/08/00	6	13 JUN 00	1
07/08/00	7	13 JUN 00	1
08/08/00	8	13 JUN 00	1
09/08/00	9	13 JUN 00	1
10/08/00	10	13 JUN 00	1
11/08/00	11	13 JUN 00	1
12/08/00	12	13 JUN 00	1
13/08/00	13	13 JUN 00	1
14/08/00	14	13 JUN 00	1
15/08/00	15	13 JUN 00	1
16/08/00	16	13 JUN 00	1
17/08/00	17	13 JUN 00	1
18/08/00	18	13 JUN 00	1
19/08/00	19	13 JUN 00	1
20/08/00	20	13 JUN 00	1
21/08/00	21	13 JUN 00	1
22/08/00	22	13 JUN 00	1
23/08/00	23	13 JUN 00	1
24/08/00	24	13 JUN 00	1
25/08/00	25	13 JUN 00	1
26/08/00	26	13 JUN 00	1
27/08/00	27	13 JUN 00	1
28/08/00	28	13 JUN 00	1
29/08/00	29	13 JUN 00	1
30/08/00	30	13 JUN 00	1
31/08/00	31	13 JUN 00	1

ELECTRICAL:

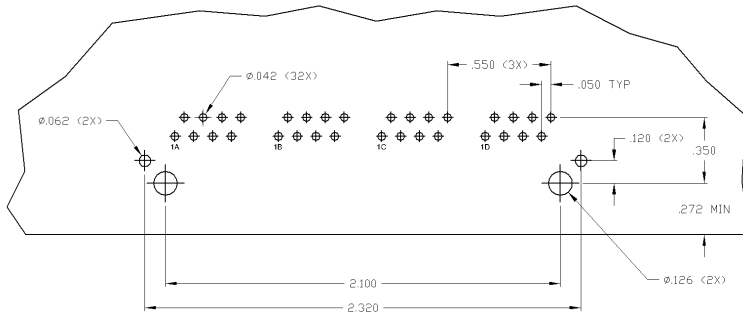
766K1 SERIES MAGNETIC CIRCUIT
PORTS A & C



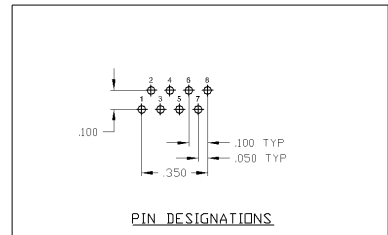
766K1 SERIES MAGNETIC CIRCUIT
PORTS B & D



C1 = 1000 pF, 3kV CAPACITOR
R1-R4 = 75 OHMS, 1/16W RESISTORS



SUGGESTED PCB LAYOUT
(Component Side)



THIS DRAWING IS A CONTROLLED DOCUMENT.		13 JUL 2007	13 JUL 2007	Type Electronics Corporation	
DATE		13 JUL 2007	13 JUL 2007	Drawing Title	
BY				114 MAG45(TN) MODULAR JACK, 7K1 SCHEMATIC	
CHECKED				766K1 SERIES CIRCUIT, SHIELDED, OPTIONAL PANEL	
APPROVED				GROUND TABS, DECOUPLING CAPACITOR, NO LEADS	
PART NUMBER		108-2100		SEE TYPICAL DRAWING IN	
REV				REVISE	
CUST. PART NO.				A1 00779	
CUST. DRAWING				1840541	
				REV 4-1	
				PAGE 2 OF 2	
				OF 8	