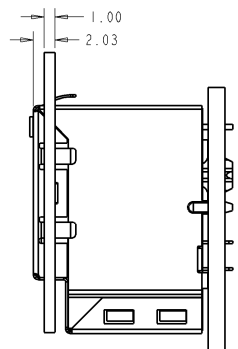
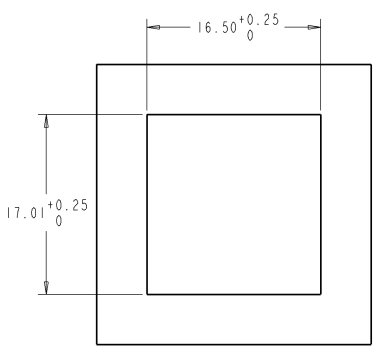
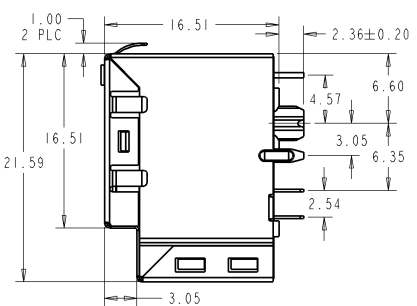
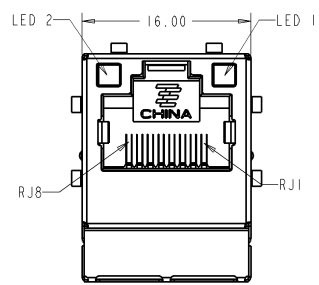
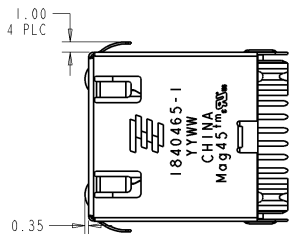
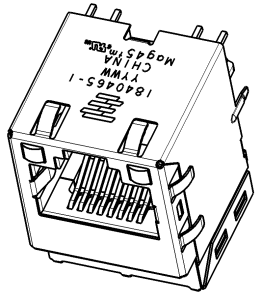


THIS DRAWING IS UNPUBLISHED.
 RELEASED FOR FABRICATION
 © COPYRIGHT copyright data BY TYCO ELECTRONICS CORPORATION. ALL RIGHTS RESERVED

REV. NO.		REV. DATE		REV. DESCRIPTION		DATE	BY	APPV
1	INITIAL RELEASE	28AUG2008	XY	TX				
2	SEE SHEET 3	10SEP2008	XY	TX				
3	SEE SHEET 3	24SEP2008	XY	TX				
A	ECO-09-024469	13NOV2009	TR	KZ				



1. MATERIALS
 HOUSING: THERMOPLASTIC, BLACK, FLAMMABILITY RATED UL 94V-0
 SHIELD: BRASS, 0.20mm THICK,
 PREPLATED WITH MIN 0.76um SEMI-BRIGHT NICKEL
 POST DIPPED WITH 2.54um MIN SAC SOLDER AT GROUND PINS.
 CONTACT: PHOSPHOR BRONZE,
 WITH 1.27um MIN OVERALL NICKEL UNDERPLATE AND
 SELECTIVE 1.27um MIN GOLD PLATING AT MATING INTERFACE
 SOLDER TAIL: PHOSPHOR BRONZE,
 WITH 1.27um MIN OVERALL NICKEL UNDERPLATE AND
 PLATED WITH 2.54um MIN TIN
 LED: DIFFUSED EPOXY LENS, 0.50mm SQUARE CARBON STEEL WIREFRAME LEADS
 PREPLATED WITH 2.03um MIN SILVER OVER 1.02um MIN NICKEL
 OVER 1.02um MIN COPPER UNDERPLATE POST PLATED WITH 2.54um MIN TIN

△ MAGNETICS
 -APPLICATION: 10/100/1000 BASE-T
 -IMPEDANCE: 100 OHMS
 -TURNS RATIO (CHIP: CABLE): 1:1 ALL FOUR PAIRS
 -OPEN CIRCUIT INDUCTANCE (OCL): 350nH MIN @100kHz, 0.1VRMS,
 8mADC BIAS FROM 0°C TO 70°C, ALL FOUR PAIRS
 -ALL FOUR PAIRS BI-DIRECTIONAL
 -PERFORMANCE @ 25°C:
 INSERTION LOSS (IL): 1.1dB MAX FROM 0.5MHz TO 100MHz
 RETURN LOSS (RL): 18dB MIN FROM 0.5MHz TO 10MHz
 12-20LOG(f/50)dB MIN FROM 40.1MHz TO 100MHz
 CROSSTALK ATTENUATION: 35dB MIN FROM 0.5MHz TO 40MHz
 33-20LOG(f/50)dB MIN FROM 40.1MHz TO 100MHz
 COMMON MODE REJECTION RATIO (CMRR): 30dB MIN FROM 0.5MHz TO 100MHz
 -ISOLATION VOLTAGE: COMPLIES WITH IEEE802.3 2002, PARA 40.6.1.1, ITEM b.

△ THE MAGNETICS ARE SYMMETRICAL AND SUPPORT AUTO-MDIX OPERATION.
 4. OPERATING TEMPERATURE: 0 ~ 70°C
 5. LED IS DRIVEN WITH CONSTANT CURRENT AT APPROX 20mA.
 DOMINANT WAVELENGTH(λD):
 GREEN 568nm TYP. at IF=20mA
 YELLOW 588nm TYP. at IF=20mA
 FORWARD VOLTAGE(VF):
 GREEN 2.2V TYP. at IF=20mA
 YELLOW 2.1V TYP. at IF=20mA
 6. ALL DIMENSIONS TO BE NOMINAL UNLESS OTHERWISE NOTED
 7. RJ45 CAVITY CONFORMS TO FCC RULES AND REGULATION PART 68 SUBPART F.
 8. THESE PARTS ARE RECOMMENDED FOR WAVE SOLDERING PROCESS.
 PEAK TEMPERATURE 260°C MAX, 10 SEC MAX

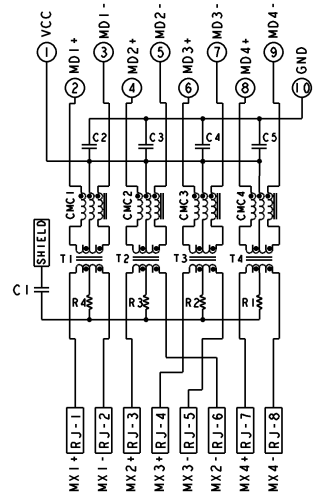
GRN/YEL	GRN/YEL	1840465-4
GREEN	YELLOW	1840465-3
YELLOW	GREEN	1840465-2
GREEN	GREEN	1840465-1
LED 2	LED 1	PART NUMBER

DIMENSIONS: mm 0 PLC ±0.25 1 PLC ±0.25 2 PLC ±0.25 3 PLC ±0.25 4 PLC ±0.25 ANGLES ±1° FINISH		DW: WESLEY.T 28AUG2008 CH: JIANG.ZH 28AUG2008 PP: JIANG.ZH 28AUG2008 PROCESS SPEC 108-2100 APPLICATION SPEC WEIGHT CUSTOMER DRAWING	Tyco Electronics Chesong, China 1X1 MAG45(TM) MODULAR JACK, VERTICAL TYPE, 4G46PI CIRCUIT, WITH LED WITH GROUND TABS SIZE CASE CODE DRAWING NO A2 00779 © 1840465 SCALE 3:1 SHEET 1 OF 2 REF A
----------------------------------------------------------------------------------------------------------------------	--	-------------------------------------------------------------------------------------------------------------------------------------------------------------------	---------------------------------------------------------------------------------------------------------------------------------------------------------------------------------------------------------------------

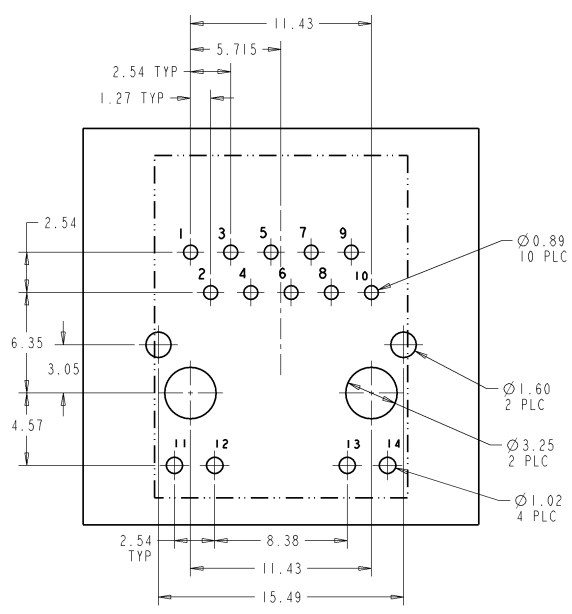
THIS DRAWING IS UNPUBLISHED. RELEASED FOR FABRICATION.
 © COPYRIGHT copyright, data BY TYCO ELECTRONICS CORPORATION. ALL RIGHTS RESERVED.

4G46PI GIGABIT CIRCUIT

LOC		REV		REVISIONS			
AA	00	REV	DATE	BY	APP	DESCRIPTION	DATE
		1				SEE SHEET 1	

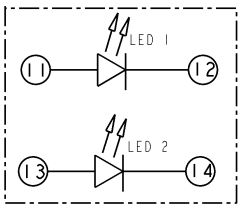


C2 - C5 = 0.1uF, 50V, CAPACITOR
 C1 = 1000pF, 2KV, CAPACITOR
 R1 - R4 = 75 ohms, RESISTOR

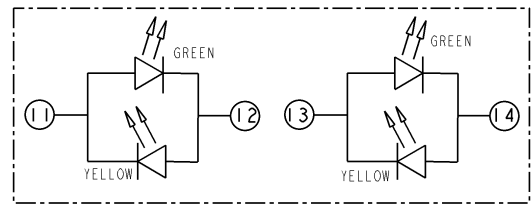


SUGGESTED PCB LAYOUT (TOL: ±0.05)
 (COMPONENT SIDE VIEW)

SINGLE COLOR LED



BI-COLOR LED



DIMENSIONS:		DATE: 28AUG2008		DRAWN BY: CHENLEI ZHANG		REV: 1		CHECKED BY: YI LONG		DATE: 28AUG2008		NAME: 1X1 MAG45(TM) MODULAR JACK, VERTICAL TYPE, 4G46PI CIRCUIT, WITH LED WITH GROUND TABS	
mm		0.25		0.25		0.25		0.25		0.25		SIZE: CASE CODE: DRAWING NO: A200779 ©=1840465	
MATERIAL:		FINISH:		WEIGHT:		CUSTOMER DRAWING		SCALE: 3:1		SHEET: 2 OF 2		REV: A	