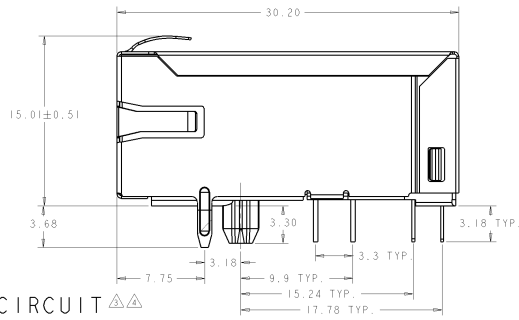
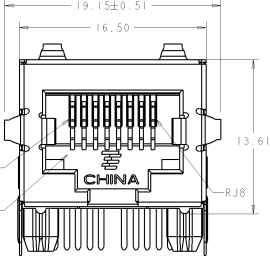
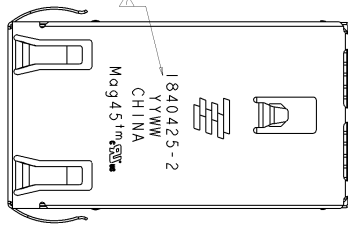
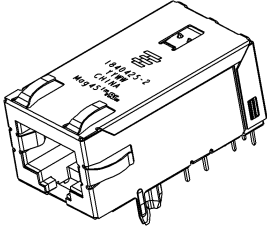


8	7	6	5	4	3	2	1
REVISIONS	REV	DATE	BY	CHK	APP		
AA 00							
B	REV PER ICI-QE-008336						



- △ MATERIALS:
- HOUSING: PBT, BLACK, UL 94V-0
- SHIELD: 0.20mm THICK, BRASS PREPLATED WITH 0.76 µm MIN SEMI-BRIGHT NICKEL; POST-DIPPED WITH 2.54µm MIN LEAD FREE SOLDER
- CONTACT TAILS: 0.25mm THICK, PHOSPHOR BRONZE, 1.27 µm MIN OVERALL NICKEL UNDERPLATE, 2.54µm MIN TIN PLATE
- MOD JACK CONTACTS: 0.25mm THICK, PHOSPHOR BRONZE, 1.27 µm MIN OVERALL NICKEL UNDERPLATE WITH 1.27 µm MIN LOCALIZED GOLD PLATE AT PLUG INTERFACE
- △ RJ45 JACK CAVITY CONFORMS TO FCC RULES AND REGULATIONS PART 68, SUB-PART F.
- △ MAGNETICS:
- APPLICATION: 10/100/1000 BASE-T, EXTENDED TEMPERATURE, PoE
- IMPEDANCE: 100 OHMS
- TURNS RATIO (CHIP-CABLE): 1:1 ALL FOUR PAIRS
- OPEN CIRCUIT INDUCTANCE (OCL): 350µH MIN @100kHz, 0.1VRMS, 8mADC BIAS FROM -40°C TO +85°C, ALL FOUR PAIRS
- ALL FOUR PAIRS BI-DIRECTIONAL
- POE CURRENT: 350mA DC MAX
- PERFORMANCE @ 25°C:
- INSERTION LOSS (IL): 1.1dB MAX FROM 0.5MHz TO 100MHz
- RETURN LOSS (RL): 18dB MIN FROM 0.5MHz TO 40MHz
- 12-20LOG(1/50)dB MIN FROM 40.1MHz TO 100MHz
- CROSSTALK ATTENUATION: 35dB MIN FROM 0.5MHz TO 40MHz
- 33-20LOG(1/50)dB MIN FROM 40.1MHz TO 100MHz
- COMMON MODE REJECTION RATIO (CMRR): 30dB MIN FROM 0.5MHz TO 100MHz
- ISOLATION VOLTAGE: COMPLIES WITH IEEE802.3af 2003, PARA 33.4.1, ITEM a.

△ THE MAGNETICS ARE SYMMETRICAL, AND SUPPORT AUTO-MDI/MDX

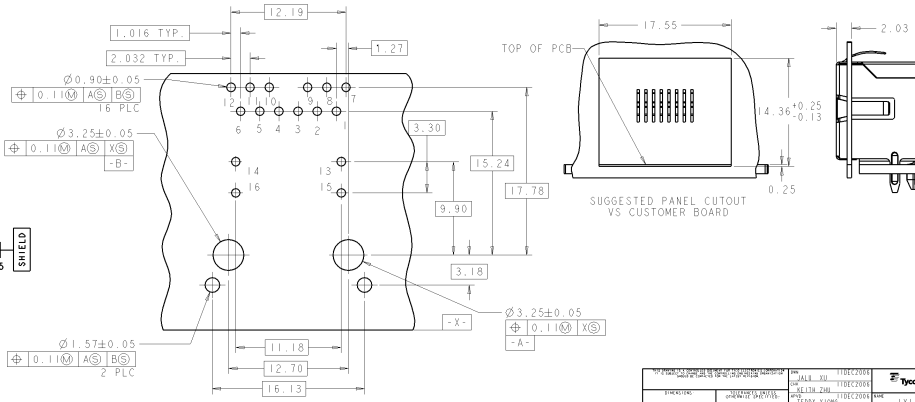
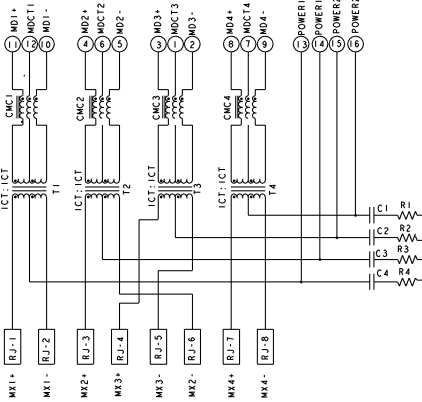
5. OPERATING TEMPERATURE: FROM -40°C TO +85°C.

6. ALL DIMENSIONS NOMINAL UNLESS OTHERWISE NOTED.

△ TYCO ELECTRONIC LOGO, PART NUMBER, DATE CODE, COUNTRY OF ORIGIN AND AGENCY APPROVAL MARKING IN APPROXIMATE LOCATION SHOWN.

8. THESE PARTS ARE RECOMMENDED FOR WAVE SOLDERING PROCESS. PEAK WAVE SOLDERING TEMPERATURE IS 265°C, 10 SECONDS MAX.

S4VG55ET GIGABIT POE CIRCUIT



R1 - R4 = 75 OHMS, 1/16W, 5% RESISTORS
 C1 - C4 = 22nF, 250V CAPACITORS
 C5 = 1000pF, 3KV CAPACITOR

Tyco Electronics Guangdong, China		1840425-2
PART NO.		
PART NAME: 1X1 MAG45(TM) MODULAR JACK, 4V4S GIGABIT POE ET CIRCUIT, SHIELD: W/O LED, TAB DOWN		
PART NO.: 00778		1840425
CUSTOMER DRAWING		