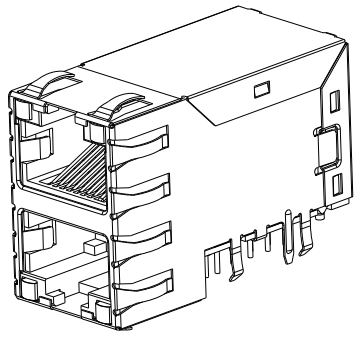
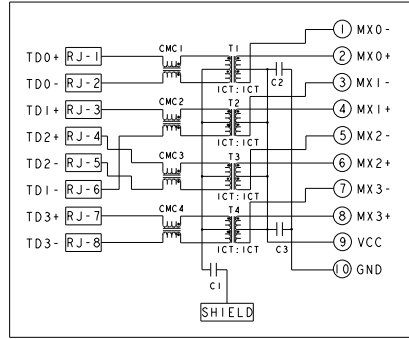


REV	DESCRIPTION	DATE	BY	APP
A	NEW RELEASE			
B	ECO-10-025821			

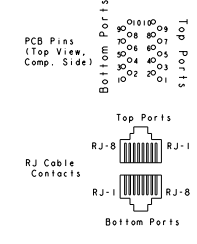


S8628 GIGABIT CIRCUIT
Top and Bottom Ports



C1=1000pF, 2kV, ±10%, X7R Decoupling cap
C2-C3=470PF, 50V, ±5% Capacitors

Pin Designations
(Repeat for each vertical pair of ports.)

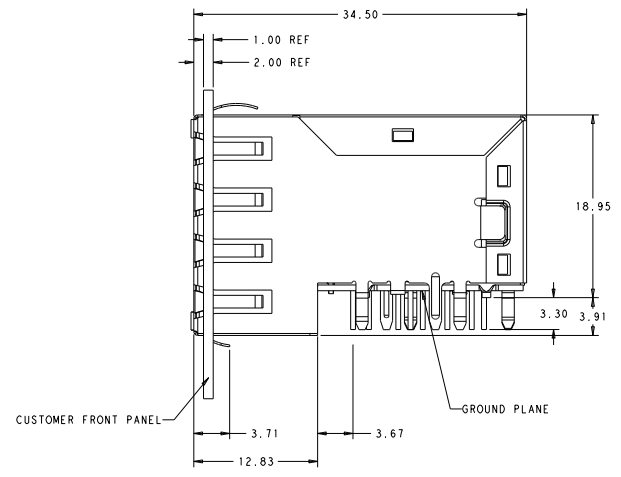
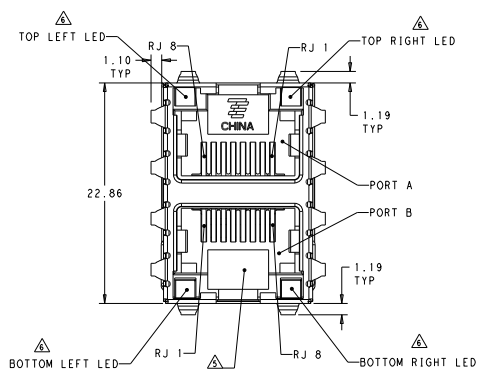
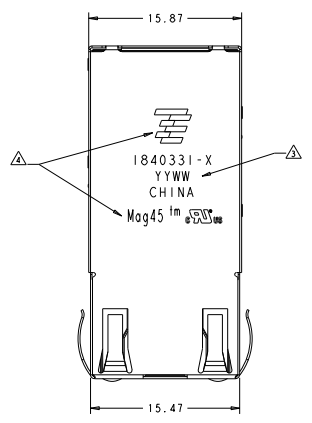


- MATERIALS:
 - HOUSING: THERMOPLASTIC, BLACK, FLAMMABILITY RATING UL 94V-0.
 - SHIELD: BRASS, PREPLATED WITH 0.76um MIN SEMI-BRIGHT NICKEL, POST DIPPED WITH 2.54um MIN SAC SOLDER ON SOLDER TAILS.
 - CONTACTS: PHOSPHOR BRONZE, PLATED WITH 1.27um MIN OVERALL NICKEL UNDERPLATE, SELECTIVE 1.27um MIN GOLD AT MATING INTERFACE AND 2.54um MIN MATTE TIN ON SOLDER TAILS.
 - LED: DIFFUSED EPOXY LENS, CARBON STEEL LEAD FRAME LEADS, PREPLATED WITH 2.03um MIN SILVER OVER 1.02um MIN NICKEL OVER 1.02um MIN COPPER UNDERPLATE, POST PLATED WITH 2.54um MIN MATTE TIN AND/OR 2.54um MIN SAC SOLDER DIP OR PURE TIN SOLDER DIP.
- MAGNETICS
 - APPLICATION: 10/100/1000 BASE-T
 - IMPEDANCE: 100 Ohms
 - TURNS RATIO (CHIP:CABLE): 1:1 ALL FOUR PAIRS
 - OPEN CIRCUIT INDUCTANCE (OCL): 350uh MIN @100kHz, 0.1VRMS, 8mADC BIAS FROM 0 °C TO 70 °C, ALL FOUR PAIRS
 - ALL FOUR PAIRS BI-DIRECTIONAL
 - PERFORMANCE @ 25 °C:
 - INSERTION LOSS (IL): 1.1dB MAX FROM 0.5MHz TO 100MHz
 - RETURN LOSS (RL): 18dB MIN FROM 0.5MHz TO 40MHz
 - 12-20LOG(f/80)dB MIN FROM 40.1MHz TO 100MHz
 - CROSSTALK ATTENUATION: 35dB MIN FROM 0.5MHz TO 40MHz
 - 33-20LOG(f/50)dB MIN FROM 40.1MHz TO 100MHz
 - COMMON MODE REJECTION RATIO (CMRR): 30dB MIN FROM 0.5MHz TO 100MHz
 - ISOLATION VOLTAGE: COMPLIES WITH IEEE802.3 2002, PARA 40.6.1.1, ITEM b.
- PART NUMBER, DATE CODE AND COUNTRY OF ORIGIN ARE LOCATED IN THE APPROXIMATE AREA SHOWN. DATE CODE: YY IS YEAR, WW IS WORK WEEK, D IS DAY OF WEEK, WITH SUNDAY=1.
- TYCO ELECTRONICS LOGO AND AGENCY APPROVAL LOGO ARE LOCATED IN THE APPROXIMATE AREA SHOWN.
- RJ45 CAVITIES CONFORM TO FCC RULES AND REGULATION PART 68 SUBPART F.
- LEDS ARE DRIVEN WITH CONSTANT CURRENT AT APPROX. 20mA. DOMINANT WAVELENGTH (λD)
 - GREEN 568nm TYP AT IF=20mA
 - YELLOW 588nm TYP AT IF=20mA
 - FORWARD VOLTAGE (VF)
 - GREEN 2.2V TYP AT IF=20mA
 - YELLOW 2.1V TYP AT IF=20mA
- INDICATED MAGNETIC CONNECTIONS ARE SYMMETRICAL AND SUPPORT AUTO-MDI/MDIX.
- OPERATING TEMPERATURE: FROM 0 °C TO 70 °C
- THE PARTS ARE RECOMMENDED FOR WAVE SOLDERING PROCESS, PEAK TEMPERATURE 260 °C MAX, 10 SECONDS MAX.

TOP LEFT LED	TOP RIGHT LED	BOTTOM LEFT LED	BOTTOM RIGHT LED	PART NUMBER
GREEN	GREEN/YELLOW	GREEN	GREEN/YELLOW	4-1840331-5
GREEN	YELLOW/GREEN	GREEN	YELLOW/GREEN	1840331-3
GREEN	YELLOW	GREEN	YELLOW	1840331-2
GREEN	GREEN	GREEN	GREEN	1840331-1

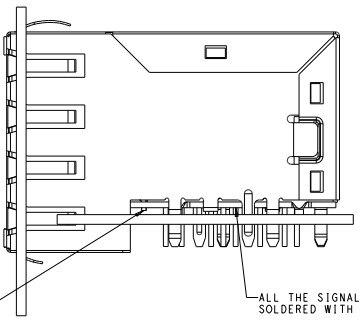
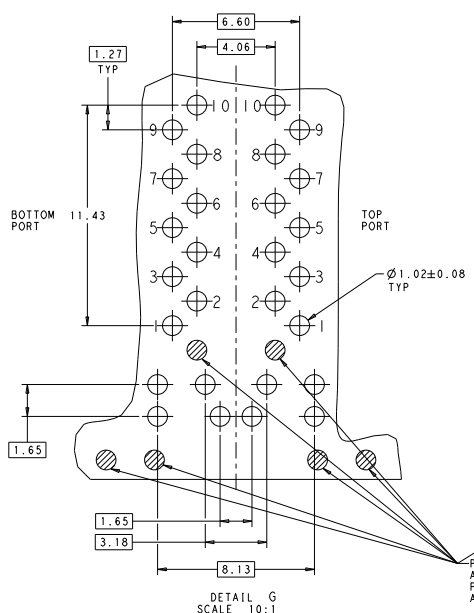
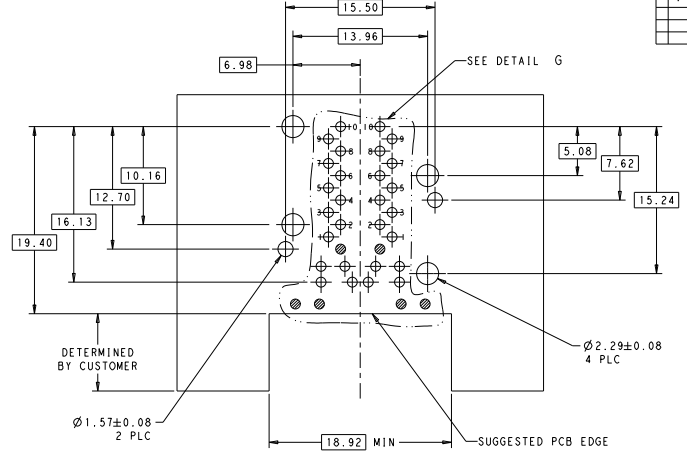
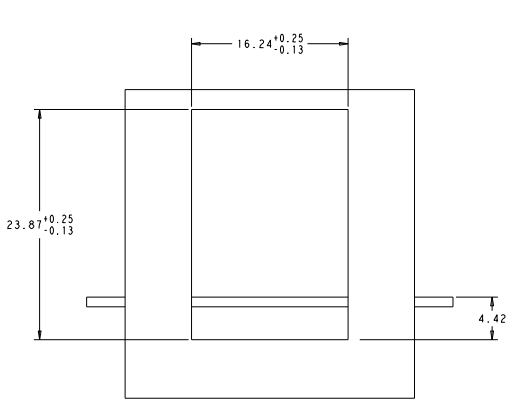
REVISIONS A NEW RELEASE B ECO-10-025821	DATE BY APP	TYCO ELECTRONICS CORPORATION 100-1840331-5 100-1840331-5 100-1840331-5	MAG45(TM) MODULE JACK, 2X1 OFFSET S8628 GIGABIT CIRCUIT, WITH LED 10 PIN VERTICAL	DATE CODE 00779 1840331	DRAWING NO. 1840331	SHEET 5 OF 5
---	-------------------	---	---	-------------------------------	------------------------	--------------

REV. NO.		REV. DATE	REV. DESCRIPTION	BY	CHK	APP
-	-	-	SEE SHEET 1	-	-	-
-	-	-	-	-	-	-
-	-	-	-	-	-	-



YIPPO ELECTRONICS CORPORATION 100-140004 100-140004		RICHARD GUO 08JAN2007 08JAN2007 100-140004 100-140004		Yip Electronics Charging Chips	
DIMENSIONS: UNIT: mm DECIMALS: 0.01 TOLERANCES: FRACTIONS: 1/16"		PART NO.: 1840331 PART NAME: MAG45(TM) MODULE JACK - 2X1 OFFSET 58028 GIGASET CIRCUIT - WITH LED 10 PIN VERTICAL		DATE: 08JAN2007 DRAWN BY: A CHECKED BY: 00779 PART NO.: 1840331	
MATERIAL:		CUSTOMER DRAWING:		SHEET: 5 of 11 PAGE: 2 of 4 REV: B	

REV	DESCRIPTION	DATE	BY	CHK	APP
1	SEE SHEET 1				



ALL THE SIGNAL PINS MUST BE SOLDERED WITH BOTTOM PCB.

PIN 08: BOTTOM LED'S PIN ON MODULAR JACK AND BOTTOM PCB ARE STUB PINS WITH LENGTH SIMILAR TO PCB STANDOFF HEIGHT. PRECAUTIONS SHOULD BE TAKEN IN PCB DESIGN TO GUARD AGAINST SHORTING TRACES TO STUB PINS.

DETAIL G
SCALE 10:1

REV. NO. 001 DATE 08/20/07 DRAWN BY J. J. JONES CHECKED BY J. J. JONES APPROVED BY J. J. JONES	TFC ELECTRONICS CORPORATION 100-140004 100-140004	REVISIONS 1 SEE SHEET 1	TFC ELECTRONICS Type Electronics Charging Chime
PART NO. 100-140004 PART NAME MAG45(TM) MODULE JACK, 2X1 OFFSET 58028 GIGASET CIRCUIT, WITH LED TO PIN VERTICAL	DATE 08/20/07 DRAWN BY J. J. JONES CHECKED BY J. J. JONES APPROVED BY J. J. JONES	SITE CODE 000 PART NO. 100-140004	SHEET 3 OF 4 REV B

