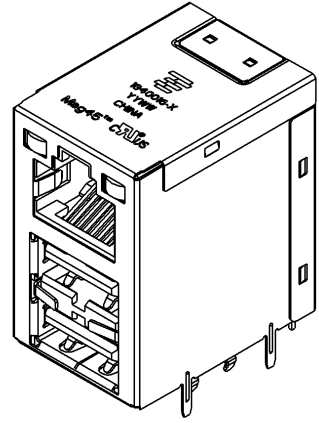
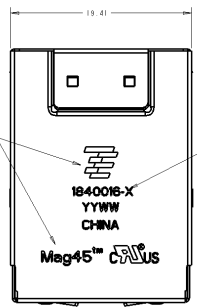
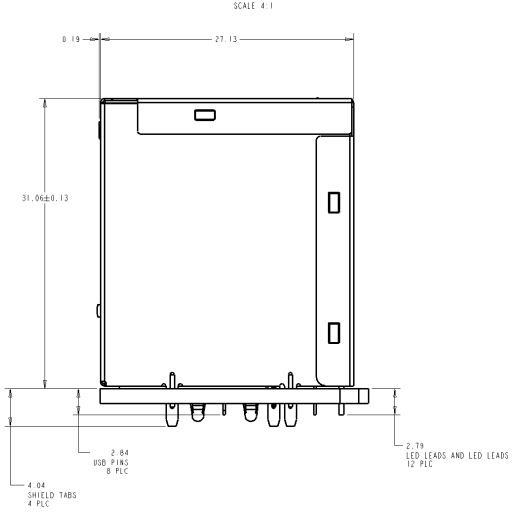
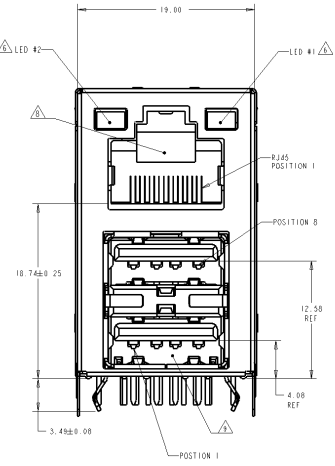


THIS DRAWING IS UNCLASSIFIED
 UNLESS INDICATED OTHERWISE
 © Copyright © BY TYCO ELECTRONICS CORPORATION. ALL RIGHTS RESERVED

REVISOR		REVISIONS	
NO.	DATE	BY	CHK
AA	00		
A		INITIAL RELEASE	HARRISON AZ TX
B		REV PER FCC-DO-801251	KUSCHNER LIA TX



- MATERIALS:**
 - **USB MATERIALS:**
 HOUSING: BLACK, THERMOPLASTIC, GLASS FILLED, UL 94V-0 RATED
 SHIELD: BRASS, PLATED WITH 2.54 μm MIN TIN
 CONTACT: PHOSPHOR BRONZE WITH SELECTIVE GOLD PLATING
- **RJ45 MATERIALS:**
 HOUSING: BLACK, THERMOPLASTIC (FLAMMABILITY RATING UL 94V-0)
 SHIELD: BRASS, PLATED WITH 0.76 μm MIN SEMI-BRIGHT NICKEL
 3.05 μm MIN TIN ON SOLDER TAILS ONLY
 CONTACTS: PHOSPHOR BRONZE, PLATING:
 1.27 μm MIN OVERALL NICKEL UNDERPLATE WITH SELECTIVE
 1.27 μm MIN GOLD AT MATING INTERFACE AND
 3.05 μm MIN MATTE TIN AND/OR SAC SOLDER DIP ON CONTACT TAILS
- **LED MATERIALS:**
 DIFFUSED EPOXY LENS, 0.5x 0.5 CARBON STEEL WIREFRAME LEADS, PLATING:
 2.03 μm MIN SILVER OVER
 1.02 μm MIN NICKEL OVER
 1.02 μm MIN COPPER UNDERPLATE
 POST-PLATE WITH 2.54 μm MIN MATTE TIN AND/OR SAC SOLDER DIP OR PURE TIN SOLDER DIP
- **RJ45 MAGNETICS:**
 - APPLICATION: 10/100 BASE-T
 - IMPEDANCE: 100 OHMS
 - TURNS RATIO(CHIP CABLE): TX:1:1, RX:1:1
 - OPEN CIRCUIT IMPEDANCE(OCL): 50OHM MIN @100MHZ, 0.1 VOLTS,
 - BIAS FROM 0°C TO 70°C, TX AND RX
 - PERFORMANCE @ 25°C
 INSERTION LOSS (IL): 1:1 dB MAX FROM 0.5MHZ TO 100MHZ
 RETURN LOSS (RL): 18dB MIN FROM 0.5MHZ TO 200MHZ
 10:20LOG(F/30)dB MIN FROM 50.1 MHZ TO 60MHZ
 12dB MIN FROM 60.1MHZ TO 80MHZ
 CROSSTALK ATTENUATION: 55 dB MIN FROM 0.5 MHZ TO 40 MHZ
 33:20LOG(F/20) dB MIN FROM 40.1 MHZ TO 100 MHZ
 COMMON MODE REJECTION RATION (CMRR): 35dBMIN FROM 0.5MHZ TO 100MHZ
 - ISOLATION VOLTAGE COMPLIES WITH IEC60923 2002, PARA 23.5.1.1, ITEM d or b
3. OPERATING TEMPERATURE RANGE FROM 0 TO 70°C

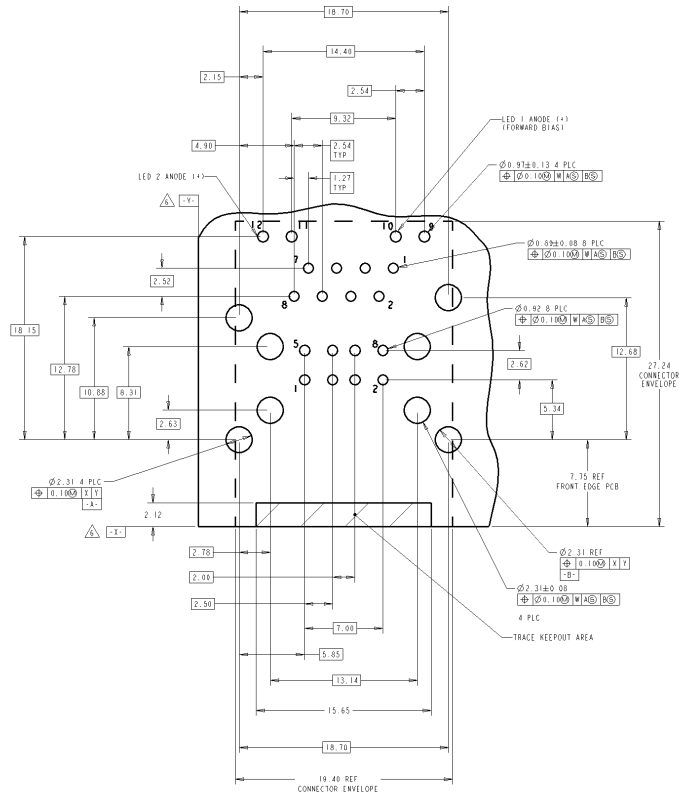


- △ PART NUMBER, DATE CODE AND COUNTRY OF ORIGIN LOCATED IN APPROXIMATE LOCATION SHOWN
- △ AGENCY APPROVAL LOGO AND TYCO ELECTRONICS LOGO TO BE LOCATED IN APPROXIMATE AREA SHOWN
- △ LEADS TO BE DRIVEN WITH CONSTANT CURRENT AT APPROX 20mA, DOMINANT WAVELENGTH:
 GREEN 565 nm TYP. @ IF = 20mA, FORWARD VOLTAGE (VF) GREEN 2.2V TYP. @ IF = 20mA
 YELLOW 585 nm TYP. @ IF = 20mA, FORWARD VOLTAGE (VF) GREEN 2.1V TYP. @ IF = 20mA
- △ DATUM LOCATION AND DIMENSION TO BE ESTABLISHED BY CUSTOMER
- △ RJ45 CAVITY CONFORMS TO FCC RULES AND REGULATION PART 68 SUBPART F
- △ MATING INTERFACE COMPLIES WITH USB UNIVERSAL SERIAL BUS
 SPECIFICATION REV. 2.0 UTILIZING TPOD P/P, 296233-1 WITH USB 2.0
 CERTIFICATE TEST ID NO. 40000242

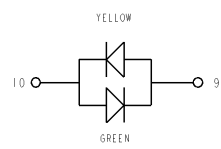
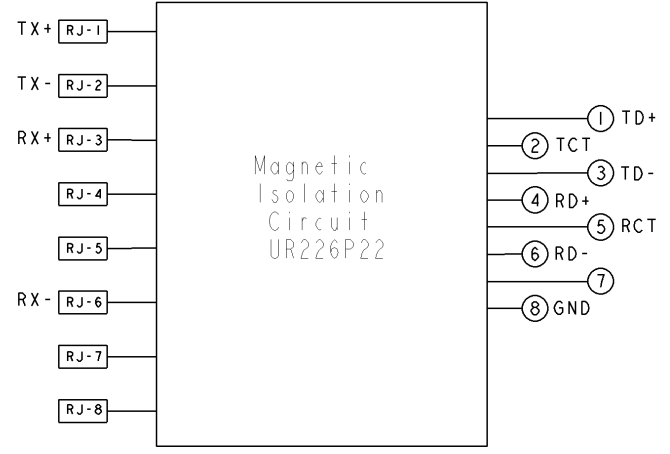
LED 2	LED 1	PART NUMBER
GREEN	GREEN / YELLOW	1840016-2
GREEN	GREEN	1840016-1

DESCRIPTION		REVISIONS	
NO.	DATE	BY	CHK
1			
2			
3			
4			
5			
6			
7			
8			
9			
10			
11			
12			
13			
14			
15			
16			
17			
18			
19			
20			
21			
22			
23			
24			
25			
26			
27			
28			
29			
30			
31			
32			
33			
34			
35			
36			
37			
38			
39			
40			
41			
42			
43			
44			
45			
46			
47			
48			
49			
50			
51			
52			
53			
54			
55			
56			
57			
58			
59			
60			
61			
62			
63			
64			
65			
66			
67			
68			
69			
70			
71			
72			
73			
74			
75			
76			
77			
78			
79			
80			
81			
82			
83			
84			
85			
86			
87			
88			
89			
90			
91			
92			
93			
94			
95			
96			
97			
98			
99			
100			

REVISORS			
NO	DATE	DESCRIPTION	BY
1	00	SEE SHEET 1	



RECOMMENDED P.C.B. FOOTPRINT COMPONENT SIDE



LED 1 FOR 1840016-2



LED 2 LED 1 FOR 1840016-1

CUSTOMER DRAWING		TEL: 011 200 887000		E-mail: zhu...		Trio Electronics	
DESCRIPTION	WJ LED/S, UR226P22 SCHEMATIC	REV	1	DATE	18/11/00	Ethernet MAG45	
REV	1	DATE	18/11/00	CUSTOMER DRAWING			