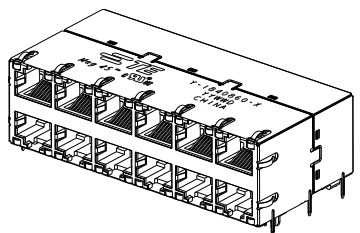
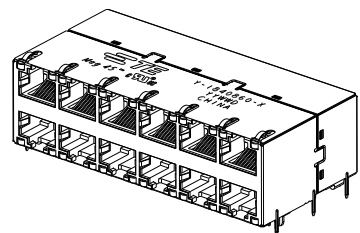


REVISONS		DATE	BY	APP
1	ECO-11-021806			



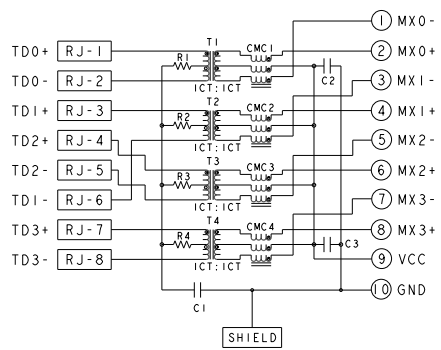
PART NUMBER WITH SIDE TAB



PART NUMBER WITHOUT SIDE TAB

S8G56 GIGABIT CIRCUIT

TOP AND BOTTOM PORTS



C1 = 1000PF, 2KV DECOUPLING CAPACITOR
 C2 - C3 = 10nF, 50V CAPACITOR
 R1-R4 = 75 Ω, 1/16 W, RESISTORS

- MATERIALS:**
 PLASTIC HOUSING: BLACK, THERMOPLASTIC, FLAMMABILITY RATING UL 94V-0
 SHIELD: BRASS, PREPLATED WITH 0.70um MIN SEMI-BRIGHT NICKEL,
 POST-DIPPED WITH 2.54um MIN SAC SOLDER ON SOLDER TAILS,
 CONTACTS: PHOSPHOR BRONZE, 1.27um MIN OVERALL NICKEL UNDERPLATE
 WITH SELECT 1.27um MIN GOLD AT MATING INTERFACE AND 2.54um MIN
 MATTE TIN ON SOLDER TAILS.
 LED: DIFFUSED EPOXY LENS, CARBON STEEL LEAD FRAME TAILS OF LED
 ARE PREPLATED WITH 2.03um MIN SILVER OVER 1.02um MIN NICKEL
 UNDERPLATE OVER 1.02um MIN COPPER UNDERPLATE. POST-PLATED WITH
 2.54um MIN MATTE TIN AND/OR SAC SOLDER DIP OR PURE TIN SOLDER DIP
- MAGNETICS:**
 APPLICATION: 10/100/1000 BASE-T.
 IMPEDANCE: 100 OHMS
 TURNS RATIO (CHIP: CABLE): 1:1 ALL FOUR PAIRS
 OPEN CIRCUIT INDUCTANCE (OCL): 350uH MIN @100KHz, 0.1VRMS,
 8mA DC BIAS FROM 0°C TO 70°C, ALL FOUR PAIRS.
 ALL FOUR PAIRS BI-DIRECTIONAL
 PERFORMANCE @25°C:
 INSERTION LOSS (IL): 1.1dB MAX FROM 1.0MHz TO 100MHz
 RETURN LOSS (RL): 18dB MIN FROM 1.0MHz TO 40MHz
 12-20LOG(I/F) 80dB MIN FROM 40.1MHz TO 100MHz
 CROSSTALK ATTENUATION: 35dB MIN FROM 1.0MHz TO 40MHz
 33-20LOG(I/F) 50dB MIN FROM 40.1MHz TO 100MHz
 COMMON MODE REJECTION RATIO (CMRR):
 30dB MIN FROM 1.0MHz TO 100MHz
 ISOLATION VOLTAGE: 225VDC (MAX) FOR 60 SECONDS WITH A RISE TIME OF 500V/SEC
 AND WITH ALL PORTS CONNECTED.

- △ PART NUMBER, DATE CODE AND COUNTRY OF ORIGIN LOCATED IN APPROXIMATE AREA SHOWN
 DATE CODE: YYWW WHERE "YY" IS YEAR, "WW" IS WORK WEEK, "D" IS DAY OF WEEK,
 WITH SUNDAY =1
- △ TE CONNECTIVITY LOGO AND AGENCY APPROVAL LOGO ARE LOCATED
 IN APPROXIMATE AREA SHOWN.
- 5. OPERATING TEMP: FROM 0°C TO 70°C.
- 6. RJ45 CAVITY CONFORMS TO FCC RULES AND REGULATION PART 68 SUBPART F.
- △ INDICATED MAGNETIC CONNECTIONS ARE SYMMETRICAL AND SUPPORT AUTO-MDI/MDIX.
- △ DATUM AND BASIC DIMENSION ESTABLISHED BY CUSTOMER.
- △ DIMENSION ESTABLISHED BY CUSTOMER, BUT MAY NOT BE
 GREATER THAN 5.08mm.

- △ LEDS ARE DRIVEN WITH CONSTANT CURRENT AT APPROX 20mA
 LED COLOR: DOMINANT WAVELENGTH (LD): GREEN 568 nm TYP, @ IF=20mA
 FORWARD VOLTAGE (VF): GREEN 2.2V TYP, @ IF=20mA
 DOMINANT WAVELENGTH (LD): YELLOW 588 nm TYP, @ IF=20mA
 FORWARD VOLTAGE (VF): YELLOW 2.1V TYP, @ IF=20mA
 DOMINANT WAVELENGTH (LD): ORANGE 605 nm TYP, @ IF=20mA
 FORWARD VOLTAGE (VF): ORANGE 2.1V TYP, @ IF=20mA

11. THESE PARTS ARE RECOMMENDED FOR WAVE SOLDERING PROCESS, PEAK TEMPERATURE 260°C FOR 5 SECONDS

NO	3.04	GREEN/YELLOW	GREEN/YELLOW	GREEN/YELLOW	GREEN/YELLOW	9-1840860-4
YES	2.29	GREEN/ORANGE	GREEN/ORANGE	GREEN/ORANGE	GREEN/ORANGE	1-1840860-7
YES	2.29	GREEN	GREEN/ORANGE	GREEN	GREEN/ORANGE	1-1840860-6
YES	2.29	GREEN/YELLOW	GREEN	GREEN/YELLOW	GREEN	1-1840860-5
YES	2.29	GREEN/YELLOW	GREEN/YELLOW	GREEN/YELLOW	GREEN/YELLOW	1-1840860-4
YES	2.29	GREEN	YELLOW	GREEN	YELLOW	1-1840860-3
YES	2.29	YELLOW	GREEN	GREEN	YELLOW	1-1840860-2
YES	2.29	GREEN	GREEN	GREEN	GREEN	1-1840860-1
YES	3.04	GREEN/ORANGE	GREEN/ORANGE	GREEN/ORANGE	GREEN/ORANGE	1840860-7
YES	3.04	GREEN	GREEN/ORANGE	GREEN	GREEN/ORANGE	1840860-6
YES	3.04	GREEN/YELLOW	GREEN	GREEN/YELLOW	GREEN	1840860-5
YES	3.04	GREEN/YELLOW	GREEN/YELLOW	GREEN/YELLOW	GREEN/YELLOW	1840860-4
YES	3.04	GREEN	YELLOW	GREEN	YELLOW	1840860-3
YES	3.04	YELLOW	GREEN	GREEN	YELLOW	1840860-2
YES	3.04	GREEN	GREEN	GREEN	GREEN	1840860-1
		BOTTOM LED	BOTTOM LED	TOP LED	TOP LED	PART NO.
SIDE TAB	DIM A	NO. 2	NO. 1	NO. 2	NO. 1	

REVISED	DATE	BY	APP	TE CONNECTIVITY
1	11/02/2011			
246 MAGNETHIM, GIGABIT S8G56 SHIELD, W/LEDS, AUTO-WELDING				007790-1840860

