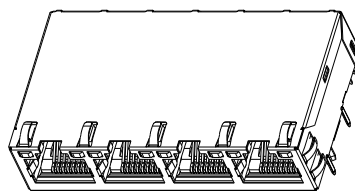
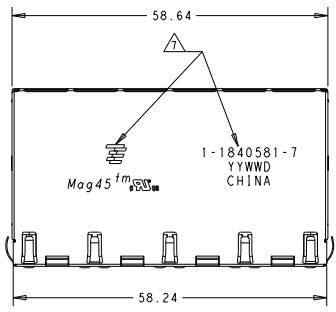
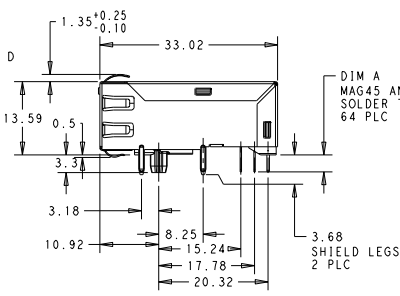
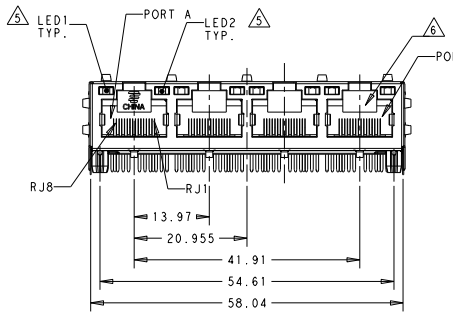


THIS DRAWING IS UNPUBLISHED
 RELEASED FOR PUBLICATION
 ALL RIGHTS RESERVED

REVOLUTIONS		DATE	BY	APPD
P	LYR			
A	ECO-10-023353	29OCT2010	SH	KZ
B	ECO-11-014923	13JUL2011	PP	LJ

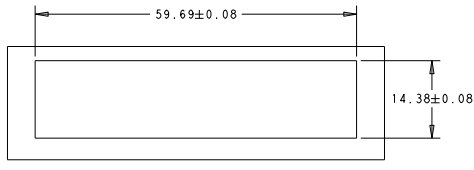


SCALE 2:1

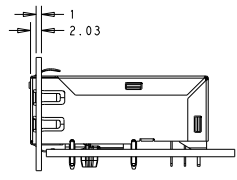


DIM A
 MAG45 AND LEDS
 SOLDER TAILS
 64 PLC

3.68
 SHIELD LEGS
 2 PLC



SUGGESTED PANEL CUTOUT
 SCALE 2:1



CONNECTOR ASSEMBLED
 TO PANEL AND PCB
 SCALE 2:1

- MATERIALS**
 - HOUSING: THERMOPLASTIC, BLACK, FLAMMABILITY RATING UL 94V-0
 - SHIELD: BRASS, 0.20mm THICK, PREPLATED WITH MIN 0.76um SEMI-BRIGHT NICKEL
 - POST DIPPED WITH 2.54um MIN SAC SOLDER AT GROUND PINS.
 - CONTACT: PHOSPHOR BRONZE, 0.46mm X 0.25mm WITH 1.27um MIN OVERALL NICKEL UNDERPLATE AND SELECTIVE 1.27um MIN GOLD PLATING AT MATING INTERFACE
 - SOLDER TAIL: 0.25mm THICK, PHOSPHOR BRONZE, 1.27um MIN OVERALL NICKEL UNDERPLATE, 3um MIN TIN PLATE
 - LIGHT PIPE: POLYCARBON, TRANSPARENT, RATING UL 94V-0
 - LED: DIFFUSED EPOXY LENS, CARBON STEEL WIREFRAME LEADS PREPLATED WITH 2.03um MIN SILVER OVER 1.02um MIN NICKEL UNDERPLATE OVER 1.02um MIN COPPER UNDERPLATE; POST PLATED WITH 2.54um MIN MATTE TIN.
- MAGNETICS**
 - APPLICATION: 10/100/1000 BASE-T
 - IMPEDANCE: 100 OHMS
 - TURNS RATIO (CHIP: CABLE): 1:1 ALL FOUR PAIRS
 - OPEN CIRCUIT INDUCTANCE (OCL): 350nH MIN @100kHz, 0.1VRMS, 0mA DC BIAS FROM 0°C TO 70°C, ALL FOUR PAIRS
 - ALL FOUR PAIRS BI-DIRECTIONAL
 - PERFORMANCE @ 25°C:
 - INSERTION LOSS (IL): 1.1dB MAX FROM 0.5MHz TO 100MHz
 - RETURN LOSS (RL): 18dB MIN FROM 0.5MHz TO 40MHz
 - 12-20LOG(f/50)dB MIN FROM 40.1MHz TO 100MHz
 - CROSSTALK ATTENUATION: 35dB MIN FROM 0.5MHz TO 40MHz
 - 33-20LOG(f/50)dB MIN FROM 40.1MHz TO 100MHz
 - COMMON MODE REJECTION RATIO (CMRR): 30dB MIN FROM 0.5MHz TO 100MHz
 - ISOLATION VOLTAGE: 22SDVC (MAX) FOR 60 SECONDS WITH A RISE TIME OF 500V/SEC AND WITH ALL PORTS CONNECTED.
- THE MAGNETIC CIRCUIT ON ALL FOUR CHANNELS IS SYMMETRICAL AND SUPPORTS AUTO-MIX OPERATION.
- OPERATING TEMPERATURE: 0°C ~ 70°C
- LEDS ARE DRIVEN WITH CONSTANT CURRENT AT APPROX 20mA.
 LED COLOR: DOMINANT WAVELENGTH (λD): GREEN 568 nm TYP. @ IF=20mA
 FORWARD VOLTAGE (VF): GREEN 2.2V TYP. @ IF=20mA
 DOMINANT WAVELENGTH (λD): YELLOW 588 nm TYP. @ IF=20mA
 FORWARD VOLTAGE (VF): YELLOW 2.1V TYP. @ IF=20mA
 DOMINANT WAVELENGTH (λD): ORANGE 610 nm TYP. @ IF=20mA
 FORWARD VOLTAGE (VF): ORANGE 2.1V TYP. @ IF=20mA
- RJ45 CAVITY CONFORMS TO FCC RULES AND REGULATION PART 68 SUBPART F.
- TYCO ELECTRONICS LOGO, PART NUMBER, DATE CODE, COUNTRY OF ORIGIN, AGENCY APPROVAL MARKING IN APPROPRIATE LOCATION SHOWN.
 DATE CODE: YYWWD *YY* IS YEAR, *WW* IS WORK WEEK, *D* IS DAY OF WEEK, WITH SUNDAY=1.
- THESE PARTS ARE RECOMMENDED FOR WAVE SOLDERING PROCESS, PEAK WAVE SOLDERING TEMPERATURE IS 260°C, 10sec MAX.
- 1-1840581-7 SHOWN UNLESS OTHERWISE NOTE

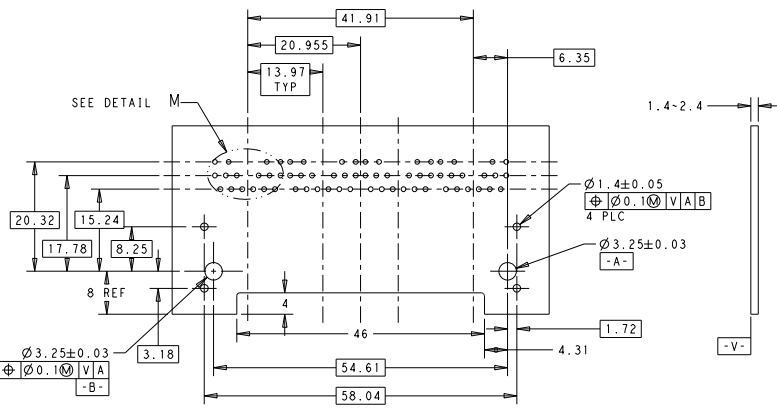
3.80	GREEN/YELLOW	GREEN/YELLOW	1840581-6
3.18	YELLOW	GREEN/ORANGE	1-1840581-3
2.84	GREEN	GREEN	1840581-7
3.18	GREEN/ORANGE	GREEN/ORANGE	1-1840581-7

THIS DRAWING IS A CONTROLLED DOCUMENT. DWG TOWER YU 18NOV2009
 CHK WEI TH ZHU 18NOV2009
 DIMENSIONS: mm TOLERANCES UNLESS OTHERWISE SPECIFIED:
 0 PLC ±0.25
 1 PLC ±0.25
 2 PLC ±0.25
 3 PLC ±0.25
 4 PLC ±0.25
 ANGLES FINISH

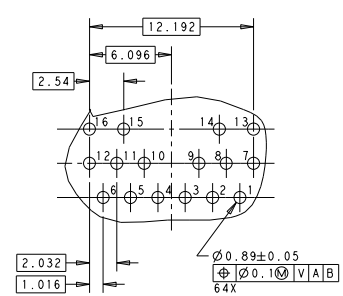
NAME: 1X4 MAG45(TM) MODULAR JACK 7641 GIGABIT CIRCUIT, AUTO WELD SHIELDED, WITH LEDS
 PRODUCT SPEC: 108-104004
 APPLICATION SPEC: -
 SIZE: A2 CASE CODE: 00779 DRAWING NO: 1840581
 MATERIAL: - WEIGHT: -
 CUSTOMER DRAWING: - SCALE: NTS SHEET 1 OF 2 REV B

THIS DRAWING IS UNPUBLISHED. RELEASED FOR PUBLICATION
 COPYRIGHT © 2011 BY TE CONNECTIVITY ALL RIGHTS RESERVED.

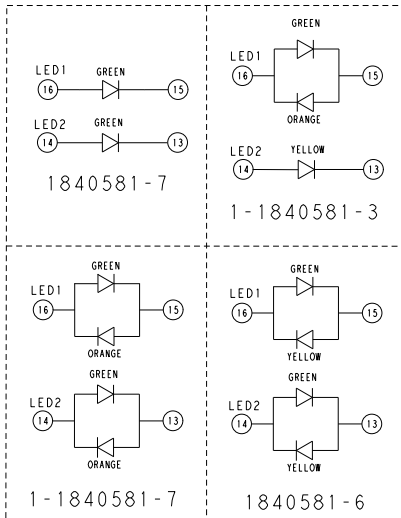
LOC		REV		REVISIONS			
AA	00	P	YR	DESCRIPTION	DATE	BY	APPD
		-	-	SEE SHEET 1	-	-	-



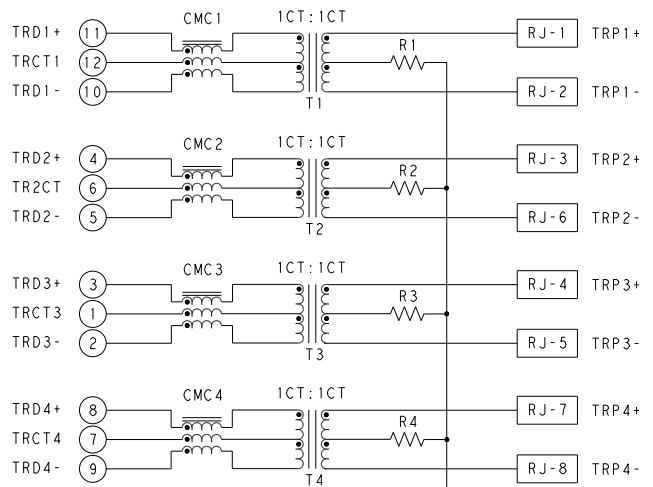
SUGGESTED PCB FOOTPRINT
 COMPONENT SIDE
 SCALE 2:1



DETAIL M
 SCALE 5:1
 TYP



7G41 GIGABIT CIRCUIT



C1 = 1000pF, 3KV DECOUPLING CAPACITOR
 R1-R4 = 75 OHMS, 1/16 W, 5% RESISTORS

THIS DRAWING IS A CONTROLLED DOCUMENT.		DRW: TOWER YU 18NOV2009	CHK: KEITH ZHU 18NOV2009	NAME: 1X4 MAG45(TM) MODULAR JACK 7G41 GIGABIT CIRCUIT, AUTO WELD SHIELDED, WITH LEDS
DIMENSIONS: mm	TOLERANCES UNLESS OTHERWISE SPECIFIED:	APPRO: KEITH ZHU 18NOV2009	PRODUCT SPEC: 108-104004	SIZE: CASE CODE: DRAWING NO: A200779
MATERIAL:	FINISH:	WEIGHT:	APPRO: KEITH ZHU 18NOV2009	RESTRICTED TO: N/A
CUSTOMER DRAWING		SCALE: NTS	SHEET: 2 OF 2	REV: B