

REV	DATE	DESCRIPTION	BY	CHK	APP	APPD
A1		REVISED PER ECO-11-005140				
B		ECO-11-010143				
C		ECO-11-011342				

- ▲ MATERIALS
  - HOUSING: HIGH TEMPERATURE NYLON (PDS2620R) BLACK, FLAMMABILITY RATING UL 94V-0.
  - SHIELD: BRASS, 0.20mm THICK, PREPLATED WITH MIN 0.70um SEMI-SHINY NICKEL, POST DIPPED WITH 2.54um MIN. SAC SOLDER AT GROUND PINS.
  - CONTACT: PHOSPHOR BRONZE, 0.25mm THICK WITH 1.20um MIN OVERALL NICKEL UNDERPLATE AND SELECTIVE 1.5um MIN GOLD PLATING AT MATING INTERFACE.
  - SOLDER TAIL: 0.25mm THICK PHOSPHOR BRONZE, 1.20um MIN OVERALL NICKEL UNDERPLATE, 3um MIN WATTE TIN PLATE.
  - LED: DIFFUSED EPOXY LENS, 0.50mm SQUARE CARBON STEEL WIREFRAME LEADS PREPLATED WITH 2.02um MIN SILVER OVER 1.02um MIN NICKEL UNDERPLATE OVER 1.02um MIN COPPER UNDERPLATE, POST PLATED WITH 2.54um MIN WATTE TIN.
- ▲ RJ45 CAVITY CONFORMS TO FCC RULES AND REGULATION PART 68 SUBPART F.
- ▲ MAGNETICS
  - APPLICATION: 10/100/1000 BASE-T, EXTENDED TEMPERATURE
  - IMPEDANCE: 100 OHMS
  - TURNS RATIO (WHP: CABLE): 1:1 ALL FOUR PAIRS
  - OPEN CIRCUIT INDUCTANCE (OCIL): 350nH MIN (100MHz), 0.1VRMS, SHARD BIAS FROM -40°C TO +85°C, ALL FOUR PAIRS
  - ALL FOUR PAIRS BI-DIRECTIONAL
  - PERFORMANCE @ 25°C:
    - INSERTION LOSS (IL1): 1.1dB MAX FROM 0.5MHz TO 100MHz
    - RETURN LOSS (RL): 18dB MIN FROM 0.5MHz TO 40MHz
    - 12-20LOG(f/800)dB MIN FROM 40.1MHz TO 100MHz
    - CROSSTALK ATTENUATION: 55dB MIN FROM 0.5MHz TO 40MHz
    - 20-20LOG(f/500)dB MIN FROM 40.1MHz TO 100MHz
    - COMMON MODE REFLECTION RATIO (CMRR): 30dB MIN FROM 0.5MHz TO 100MHz
    - ISOLATION VOLTAGE: COMPLIES WITH IEC60023 2002, PARA 40.6.1.1, ITEM D.
- 4. OPERATING TEMPERATURE: -40°C ~ 85°C.
- ▲ THE MAGNETIC CIRCUIT ARE SYMMETRICAL AND SUPPORT AUTO-MDIX OPERATION.
- ▲ LEADS ARE DRIVEN WITH CONSTANT CURRENT AT APPROX 20mA
  - LED COLOR:
    - DOMINANT WAVELENGTH (λD): GREEN 568 nm TYP. @ I<sub>F</sub>=20mA
    - FORWARD VOLTAGE (VF): GREEN 2.2V TYP. @ I<sub>F</sub>=20mA
    - DOMINANT WAVELENGTH (λD): YELLOW 588 nm TYP. @ I<sub>F</sub>=20mA
    - FORWARD VOLTAGE (VF): YELLOW 2.1V TYP. @ I<sub>F</sub>=20mA
    - DOMINANT WAVELENGTH (λD): ORANGE 610 nm TYP. @ I<sub>F</sub>=20mA
    - FORWARD VOLTAGE (VF): ORANGE 2.1V TYP. @ I<sub>F</sub>=20mA
- ▲ TS CONNECTIVITY LOGO, PART NUMBER, DATE CODE, COUNTRY OF ORIGIN, AGENCY LOGO TO BE MARKED IN APPROXIMATE LOCATION SHOWN.
- ▲ ISOLATION VOLTAGE TEST IS APPLIED TO I-1840461-1, I-1840461-8 AND 2-1840461-1.
- ▲ ESD (4 PLC) & RS ARE OPTIONAL, PLEASE SEE TABLE FOR PRESENCE OR ABSENCE IN EACH PART NUMBER.

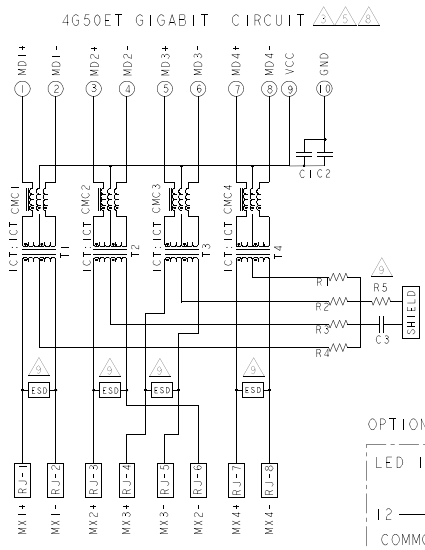
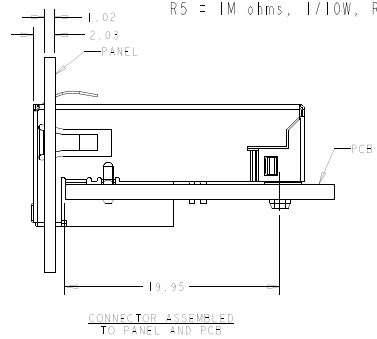
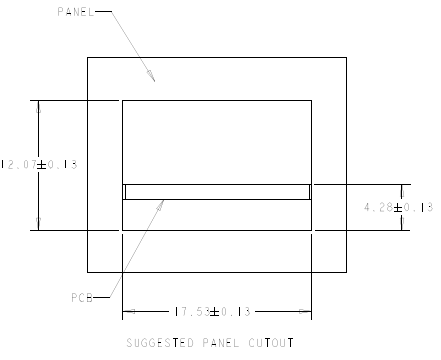
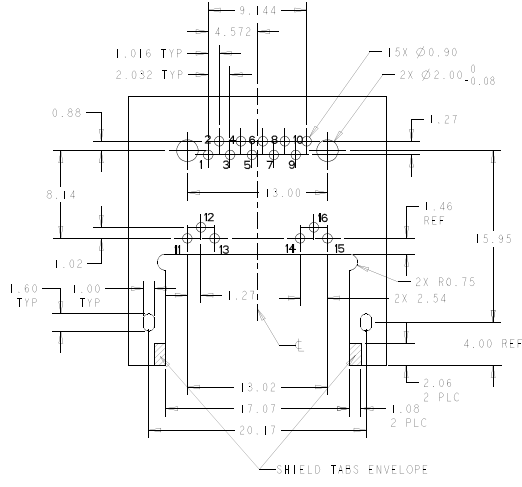
OPTION	1	3-22	3-68	3-22	3-22	WITH ESD & RS	GREEN/ORANGE	YELLOW	S-1840461-1
OPTION 1	1-80	2-26	1-80	1-80	1-80	W/O ESD & RS	GREEN/ORANGE	YELLOW	2-1840461-1
OPTION 2	1-80	2-26	1-80	1-80	1-80	W/O ESD & RS	GREEN	GREEN/ORANGE	1-1840461-8
OPTION 1	1-80	2-26	1-80	1-80	1-80	WITH ESD ONLY	GREEN/ORANGE	YELLOW	1-1840461-1
OPTION 1	1-80	2-26	1-80	1-80	1-80	WITH ESD & RS	GREEN/ORANGE	YELLOW	1840461-1

LED OPTION	DIM D	DIM C	DIM B	DIM A	ESD (4 PLC) & RS OPTION	LED1	LED2	PART NUMBER
OPTION 1	3-22	3-68	3-22	3-22	WITH ESD & RS	GREEN/ORANGE	YELLOW	S-1840461-1
OPTION 1	1-80	2-26	1-80	1-80	W/O ESD & RS	GREEN/ORANGE	YELLOW	2-1840461-1
OPTION 2	1-80	2-26	1-80	1-80	W/O ESD & RS	GREEN	GREEN/ORANGE	1-1840461-8
OPTION 1	1-80	2-26	1-80	1-80	WITH ESD ONLY	GREEN/ORANGE	YELLOW	1-1840461-1
OPTION 1	1-80	2-26	1-80	1-80	WITH ESD & RS	GREEN/ORANGE	YELLOW	1840461-1

THIS DRAWING IS A CONTROLLED DOCUMENT. I:1840461-1 (REV. 0000) DATE: 2007-07-20

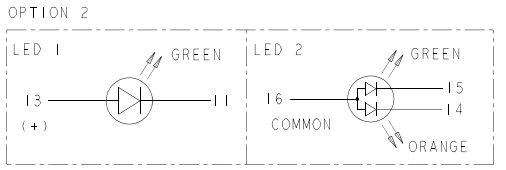
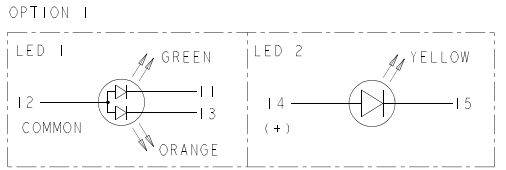
4	3
THE DRAWING IS UNCONTROLLED	RELEASED FOR PRODUCTION
TE Connectivity	TE Connectivity

REVISIONS				
REV	DATE	DESCRIPTION	BY	APP
1		ISSUE FOR TEST		
2				
3				
4				
5				



C1-C2 = 0.1uF 50V, CAPACITOR  
 C3 = 1000pF 2KV, CAPACITOR  
 R1-R4 = 75 ohms, 1/16W, RESISTOR  
 R5 = 1M ohms, 1/10W, RESISTOR

LED OPTION



THIS DRAWING IS A CONTROLLED DOCUMENT		DESIGNED BY: TOMMY DZU	DATE: 11/14/2008	TE Connectivity	
DRAWN BY: JIMMY CHEN		DATE: 11/14/2008	TE Connectivity		
CHECKED BY: JIMMY CHEN		DATE: 11/14/2008	TE Connectivity		
APPROVED BY: JIMMY CHEN		DATE: 11/14/2008	TE Connectivity		
PART NUMBER: 1840461		PART NAME: 4G50ET GIGABIT CIRCUIT			
CUSTOMER DRAWING		CUSTOMER PART NUMBER: 1840461			