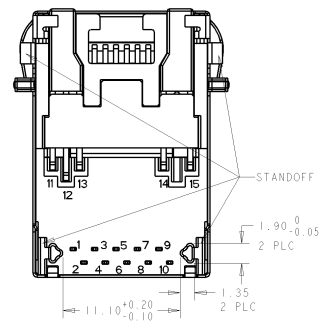
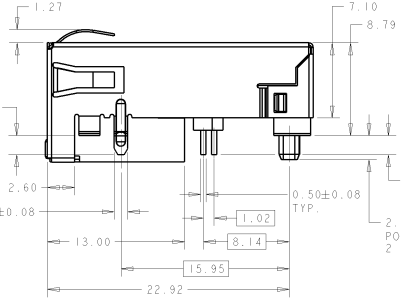
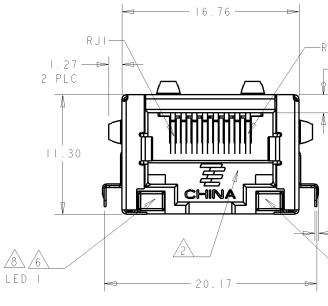
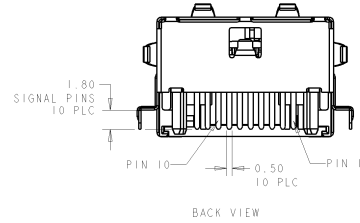
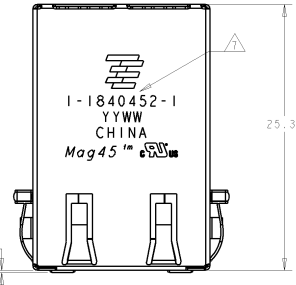


THIS DRAWING IS UNPUBLISHED  
 RELEASED FOR FABRICATION  
 (C) COPYRIGHT 2011 BY TYCO ELECTRONICS CORPORATION. ALL RIGHTS RESERVED.

REV	DATE	DESCRIPTION	DATE	CHK	APP
5	ECO-08-021529		13SEP2008	TR	TX
6	ECO-08-026504		27OCT2008	TR	TX
A	ECO-09-094734		27FEB2009	TR	KL
B	ECO-09-099680		24APR2009	TR	KL



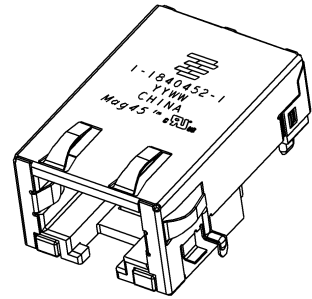
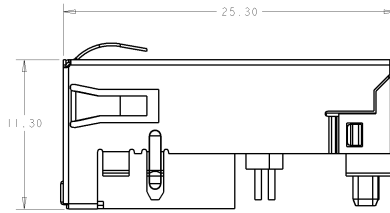
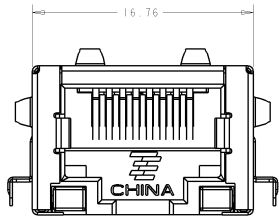
- △ MATERIALS  
 HOUSING: HIGH TEMPERATURE NYLON (FR52G30BL), BLACK, FLAMMABILITY RATING UL 94V-0.  
 SHIELD: BRASS, 0.20mm THICK, PREPLATED WITH MIN 0.76um SEMI-BRIGHT NICKEL;  
 POST DIPPED WITH 2.54um MIN SAC SOLDER AT GROUND PINS.  
 COVER: BRASS, 0.20mm THICK, PREPLATED WITH MIN 0.76um SEMI-BRIGHT NICKEL;  
 BLACK COATING OVERALL.  
 CONTACT: PHOSPHOR BRONZE, 0.25mm THICK  
 WITH 1.27um MIN OVERALL NICKEL UNDERPLATE AND  
 SELECTIVE 1.27um MIN GOLD PLATING AT MATING INTERFACE  
 SOLDER TAIL: 0.25mm THICK, PHOSPHOR BRONZE, 1.27um MIN OVERALL NICKEL UNDERPLATE,  
 3 um MIN MATTE TIN PLATE.  
 LED: DIFFUSED EPOXY LENS, 0.50mm SQUARE CARBON STEEL WIREFRAME LEADS  
 PREPLATED WITH 2.03um MIN SILVER OVER 1.02um MIN NICKEL UNDERPLATE  
 OVER 1.02um MIN COPPER UNDERPLATE, POST PLATED WITH 2.54um MIN MATTE TIN.
- △ RJ45 CAVITY CONFORMS TO FCC RULES AND REGULATION PART 68 SUBPART F.
- △ MAGNETICS  
 -APPLICATION: 10/100/1000 BASE-T  
 -IMPEDANCE: 100 OHMS  
 -TURNS RATIO (CHIP: CABLE): 1:1 ALL FOUR PAIRS  
 -OPEN CIRCUIT INDUCTANCE (OCL): 350uH MIN @100kHz, 0.1VRMS,  
 8mADC BIAS FROM 0°C TO 70°C, ALL FOUR PAIRS  
 -ALL FOUR PAIRS BI-DIRECTIONAL  
 -PERFORMANCE @ 25°C:  
 INSERTION LOSS (IL): 1.1dB MAX FROM 0.5MHz TO 100MHz  
 RETURN LOSS (RL): 18dB MIN FROM 0.5MHz TO 40MHz  
 12-20LOG(1/80)dB MIN FROM 40.1MHz TO 100MHz  
 CROSSTALK ATTENUATION: 35dB MIN FROM 0.5MHz TO 40MHz  
 33-20LOG(1/50)dB MIN FROM 40.1MHz TO 100MHz  
 COMMON MODE REJECTION RATIO (CMRR): 30dB MIN FROM 0.5MHz TO 100MHz  
 -ISOLATION VOLTAGE: COMPLY WITH IEEE802.3 2002, PARA. 40.6.1.1, ITEM b.
- 4. OPERATING TEMPERATURE: 0°C ~ 70°C.
- △ THE MAGNETIC CIRCUIT ARE SYMMETRICAL AND SUPPORT AUTO-MDIX OPERATION.
- △ LEDS ARE DRIVEN WITH CONSTANT CURRENT AT APPROX 20mA.  
 LED COLOR: DOMINANT WAVELENGTH (XD): GREEN 568 nm TYP. at IF=20mA  
 FORWARD VOLTAGE (VF): GREEN 2.2V TYP. at IF=20mA  
 DOMINANT WAVELENGTH (XD): YELLOW 588 nm TYP. at IF=20mA  
 FORWARD VOLTAGE (VF): YELLOW 2.1V TYP. at IF=20mA  
 DOMINANT WAVELENGTH (XD): ORANGE 610 nm TYP. at IF=20mA  
 FORWARD VOLTAGE (VF): ORANGE 2.1V TYP. at IF=20mA
- △ TYCO ELECTRONICS LOGO, PART NUMBER, DATE CODE, COUNTRY OF ORIGIN,  
 AGENCY LOGO TO BE MARKED IN APPROXIMATE LOCATION SHOWN.
- △ LED 1 WILL EMULATE "YELLOW" LIGHT WHEN BOTH GREEN AND ORANGE DIODES ARE  
 DRIVEN WITH CONSTANT CURRENT 20mA TO INDICATE THE THIRD COLOR STATE.

W/O	GREEN/ORANGE	YELLOW	1-1840452-1
W/	GREEN/ORANGE	YELLOW	1840452-1
BLACK COATING COVER	LED1	LED2	PART NUMBER

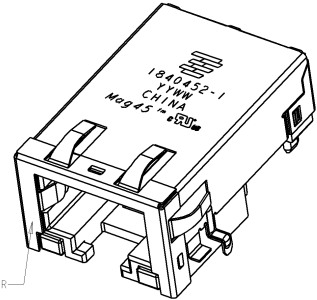
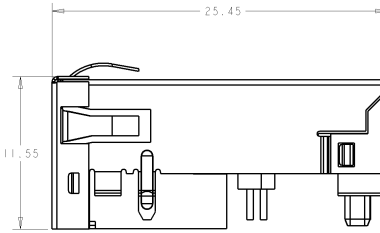
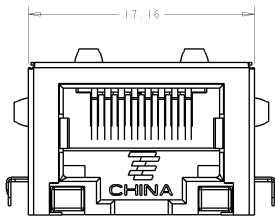
DIMENSIONS:		DRAWING NO. 240C12007		DATE 24OCT2007	
MATERIAL:		DRAWING NO. 240C12007		DATE 24OCT2007	
WEIGHT:		DRAWING NO. 240C12007		DATE 24OCT2007	
CUSTOMER DRAWING		DRAWING NO. 240C12007		DATE 24OCT2007	

THIS DRAWING IS UNPUBLISHED. RELEASED FOR FABRICATION.  
 (C) COPYRIGHT © BY TYCO ELECTRONICS CORPORATION. ALL RIGHTS RESERVED.

REV	DATE	DESCRIPTION	DATE	APP'D
AA	00	SEE SHEET 1	-	-



1-1840452-1 SHOWN

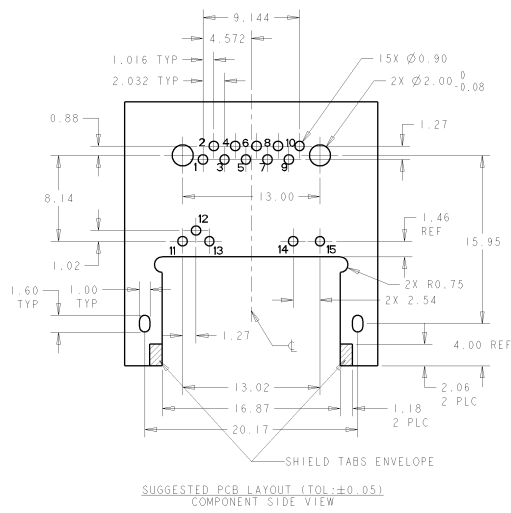


1840452-1 SHOWN

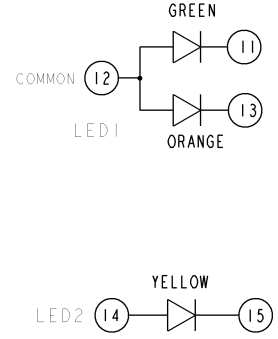
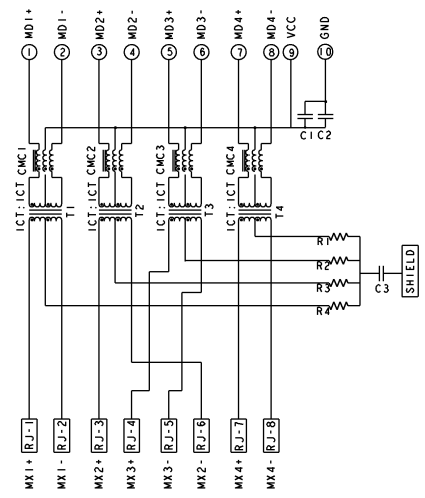
DIMENSIONS: mm 0.1 PLG 40-25 1.1 PLG 40-25 2.1 PLG 40-25 3.1 PLG 40-25 4.1 PLG 40-25 ANGLED FINISH		DWG TOMMY REK 240C12007 RCLTH ZHI 240C12007 PAPER 240C12007 PRODRY 11/09 108-2207 APPLICATION SPEC WEIGHT CUSTOMER DRAWING	Tyco Electronics ChangPing, China Tyco Electronics 1X1 MAG45(TM) MODULAR JACK 4655 610GABIT CIRCUIT, SHIELDED WITH LEADS SIZE 1840452-1 SCALE 3:1 SHEET 2 OF 3 REV B
---	--	--	---

THIS DRAWING IS UNPUBLISHED. RELEASED FOR PUBLICATION  
 (C) COPYRIGHT © BY TYCO ELECTRONICS CORPORATION. ALL RIGHTS RESERVED.

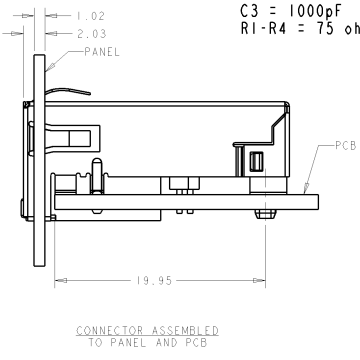
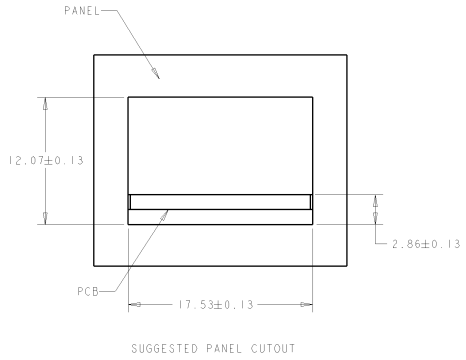
REV	DATE	DESCRIPTION	DATE	CHK	APP
1	AA	00			
-		SEE SHEET 1			



**4G55 GIGABIT CIRCUIT**



C1-C2 = 0.1uF 50V, CAPACITOR  
 C3 = 1000pF 2KV, CAPACITOR  
 R1-R4 = 75 ohms, 1/16W, RESISTOR



DIMENSIONS: mm 		DWG: 240C12007 TOMMY REW 240C12007 DATE: 2/11/2007 108-2207 APPLICATION SPEC WEIGHT: - CUSTOMER DRAWING	Tyco Electronics ChangPing, China NAME: IX1 MAG45(TM) MODULAR JACK 4G55 GIGABIT CIRCUIT, SHIELDED WITH LEADS SIZE: 4.1 SCALE: 4:1 SHEET: 3 OF 3 REF: B
-----------------------	--	--	--