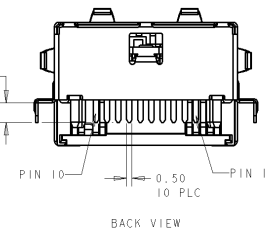
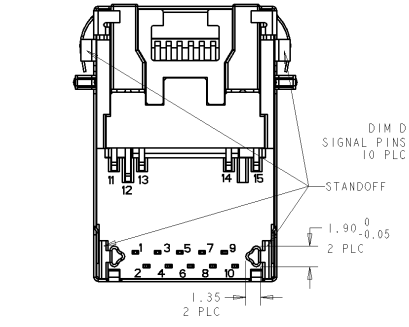
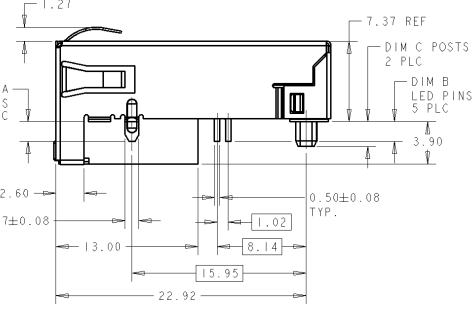
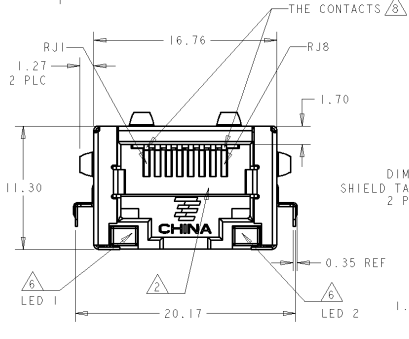
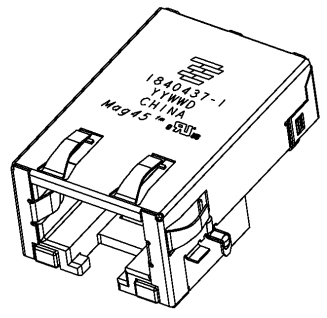
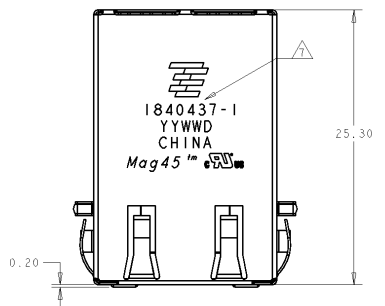


LOC	DIST	REVISIONS				
AA	00	TR	DESCRIPTION	DATE	DRW	APPR
		D1	REVISED PER ECO-11-005140	29APR11	RK	HMR



- MATERIALS**
 - HOUSING: HIGH TEMPERATURE NYLON (FR52630BL), BLACK, FLAMMABILITY RATINGS UL 94V-0.
 - SHIELD: BRASS, 0.20mm THICK, PREPLATED WITH MIN 0.75um SEMI-BRIGHT NICKEL.
 - POST DIPPED WITH 2.54um MIN SAC SOLDER AT GROUND PINS.
 - CONTACT: PHOSPHOR BRONZE, 0.25mm THICK
 - WITH 1.27um MIN OVERALL NICKEL UNDERPLATE AND SELECTIVE 1.27um MIN GOLD PLATING AT MATING INTERFACE.
 - SOLDER TAIL: 0.25mm THICK, PHOSPHOR BRONZE, 1.27um MIN OVERALL NICKEL UNDERPLATE, 3um MIN MATTE TIN PLATE.
 - LED: DIFFUSED EPOXY LENS, 0.50mm SQUARE CARBON STEEL WIREFRAME LEADS PREPLATED WITH 2.03um MIN SILVER OVER 1.02um MIN NICKEL UNDERPLATE OVER 1.02um MIN COPPER UNDERPLATE, POST PLATED WITH 2.54um MIN MATTE TIN.
- RJ45 CAVITY CONFORMS TO FCC RULES AND REGULATION PART 68 SUBPART F.
- MAGNETICS**
 - APPLICATION: 10/100/1000 BASE-T
 - IMPEDANCE: 100 OHMS
 - TURNS RATIO (CHIP: CABLE): 1:1 ALL FOUR PAIRS
 - OPEN CIRCUIT INDUCTANCE (OCL): 350nH MIN @100kHz, 0. DIVRMS.
 - 8mADC BIAS FREQ 0°C TO 70°C, ALL FOUR PAIRS
 - ALL FOUR PAIRS BI-DIRECTIONAL
 - PERFORMANCE @ 25°C:
 - INSERTION LOSS (IL): 1.14dB MAX FROM 0.5MHz TO 100MHz
 - RETURN LOSS (RL): 18dB MIN FROM 0.5MHz TO 40MHz
 - 12-20LOG(f/80)dB MIN FROM 40.1MHz TO 100MHz
 - CROSSTALK ATTENUATION: 35dB MIN FROM 0.5MHz TO 40MHz
 - 33-20LOG(f/50)dB MIN FROM 40.1MHz TO 100MHz
 - COMMON MODE REJECTION RATIO (CMRR): 30dB MIN FROM 0.5MHz TO 100MHz
 - ISOLATION VOLTAGE: COMPLY WITH IEEE802.3 2002, PARA 40.6.1.1, ITEM b.
- OPERATING TEMPERATURE: 0°C - 70°C.

- THE MAGNETIC CIRCUIT ARE SYMMETRICAL AND SUPPORT AUTO-MDIX OPERATION.
- LEDS ARE DRIVEN WITH CONSTANT CURRENT AT APPROX 20mA
- LED COLOR:
 - DOMINANT WAVELENGTH (λD): GREEN 568 nm TYP. @ IF=20mA
 - FORWARD VOLTAGE (VF): GREEN 2.2V TYP. @ IF=20mA
 - DOMINANT WAVELENGTH (λD): YELLOW 586 nm TYP. @ IF=20mA
 - FORWARD VOLTAGE (VF): YELLOW 2.1V TYP. @ IF=20mA
 - DOMINANT WAVELENGTH (λD): ORANGE 610 nm TYP. @ IF=20mA
 - FORWARD VOLTAGE (VF): ORANGE 2.1V TYP. @ IF=20mA
- TYCO ELECTRONICS LOGO, PART NUMBER, DATE CODE, COUNTRY OF ORIGIN, AGENCY LOGO TO BE MARKED IN APPROXIMATE LOCATION SHOWN. THIS PRINT PART NUMBER IS ONLY FOR REFERENCE, PLEASE REFER TO BELOW TABLE FOR ACTUAL ONE.
- THIS CONNECTOR CAN PREVENTS THE INSERTION OF RJ11 (6 POSITION) PLUG INTO THE JACK, IF THE INSERTION FORCE MORE THAN 3.2kgf THAT MAY OVERCOME THE SELECTIVE FEATURES AND DAMAGE THE CONNECTOR.
- ESD (4 PLC) & RS ARE OPTIONAL, PLEASE SEE TABLE FOR PRESENCE OR ABSENCE IN EACH PART NUMBER.
- ISOLATION VOLTAGE TEST IS APPLIED TO 1-1840437-1 AND 2-1840437-1.
- THIS PARTS ARE COMPLIANT TO BOTH WAVE SOLDERING PROCESS. PREHEAT TEMPERATURE IS ABOVE 150°C, 120 SECONDS TO 180 SECONDS. PEAK SOLDERING TEMPERATURE IS 265°C MAX, 10 SECONDS MAX, AND IR REFLOW SOLDERING PROCESS. PEAK SOLDERING TEMPERATURE 260°C MAX DURATION TIME 10 SECONDS MAX, OVER 230°C WITHIN 40-60 SECONDS.

DIM D	DIM C	DIM B	DIM A	ESD (4 PLC) & RS OPTION	LED1	LED2	PART NUMBER
3.22	3.68	3.22	3.22	W/O ESD & R5	GREEN/ORANGE	YELLOW	4-1840437-1
1.80	2.26	1.80	1.80	W/O ESD & WITH R5	GREEN/ORANGE	YELLOW	3-1840437-1
1.80	2.26	1.80	1.80	W/O ESD & R5	GREEN/ORANGE	YELLOW	2-1840437-1
1.80	2.26	1.80	1.80	WITH ESD ONLY	GREEN/ORANGE	YELLOW	1-1840437-1
1.80	2.26	1.80	1.80	WITH ESD & R5	GREEN/ORANGE	YELLOW	1840437-1

DIMENSIONS mm		TOLERANCES UNLESS OTHERWISE SPECIFIED 0.25mm (0.010")		DIMENSIONS mm		TOLERANCES UNLESS OTHERWISE SPECIFIED 0.25mm (0.010")		DIMENSIONS mm		TOLERANCES UNLESS OTHERWISE SPECIFIED 0.25mm (0.010")	
MATERIAL NYLON		FINISH BLACK		MATERIAL NYLON		FINISH BLACK		MATERIAL NYLON		FINISH BLACK	
CUSTOMER DRAWING				SCALE 4:1				SHEET 1 OF 2			

STE TE Connectivity

1X1 MAG45(TM) MODULAR JACK, 4662 6104BIT CIRCUIT WITH ESD PROTECTION, SHIELDED, WITH LEDS

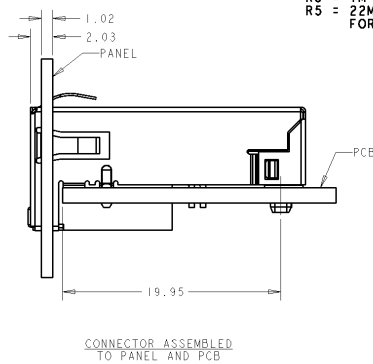
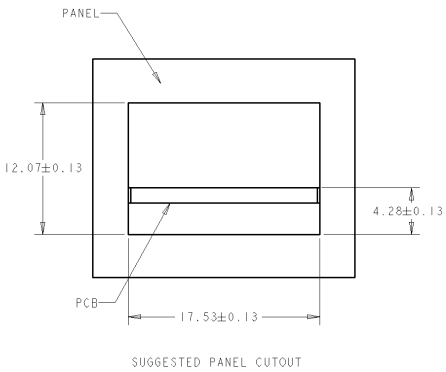
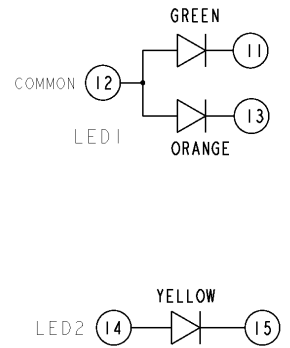
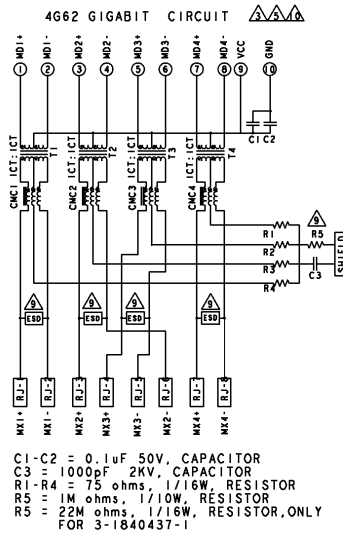
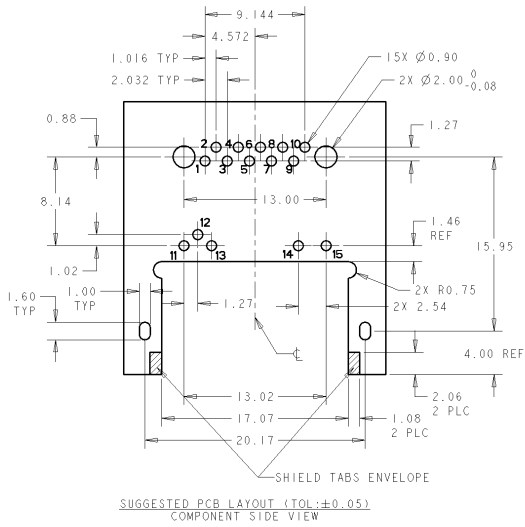
DATE: 108-2207

SIZE: A2

CSK CODE: 100779

DRAWING NO: 1840437

LOC	DIST	REVISIONS				
AA	00	REV	DESCRIPTION	DATE	BY	APPD
		-	SEE SHEET 1	-	-	-



DIMENSIONS		TOLERANCES UNLESS OTHERWISE SPECIFIED		DATE		NAME	REV		
mm	inch	PLC	mm	DATE	DATE				
		0	±0.25	08AUG2007	08AUG2007	TE Connectivity 1X1 MAG45(TM) MODULAR JACK, 4662 GIGABIT CIRCUIT WITH ESD PROTECTION, SHIELDED, WITH LEADS	RESTRICTED TO		
		1	±0.25						
		2	±0.25						
		3	±0.25						
MATERIAL		4	±0.25			SPEC	CAGE CODE	DRAWING NO	RESTRICTED TO
		5	±0.25					A200779C-1840437	
CUSTOMER DRAWING				SCALE	4:1	SHEET	2	OF	2
				REV	D1				