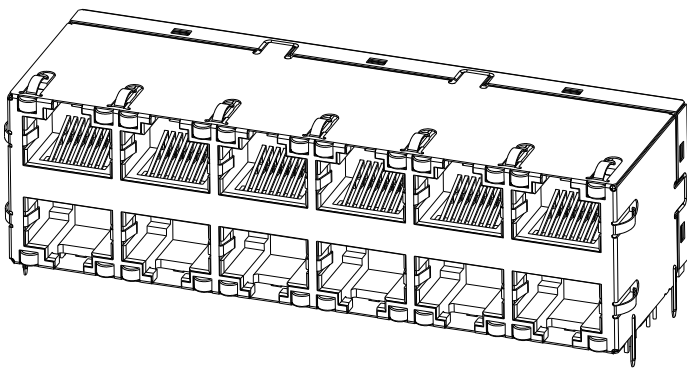
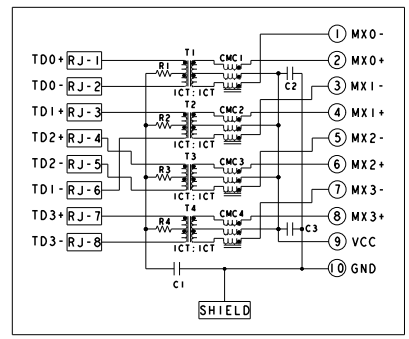


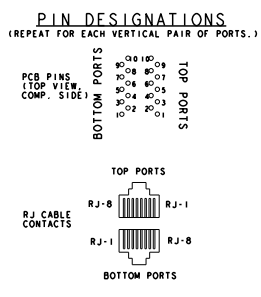
REV. NO.		REVISIONS	
DATE	BY	DESCRIPTION	APP'D
F	ECO-11-004182		



**S8G56 GIGABIT CIRCUIT**  
 TOP AND BOTTOM PORTS



C1 = 1000pF, 2kV CAPACITOR  
 C2 - C3 = 10nF, 50V CAPACITORS  
 R1 - R4 = 75 Ohms, 1/16W, RESISTORS



- MATERIALS:**  
 PLASTIC HOUSING: BLACK, THERMOPLASTIC FLAMMABILITY RATING UL 94V-0  
 SHIELD: BRASS, PREPLATED WITH 0.76um MIN SEMI-BRIGHT NICKEL,  
 POST DIPPED WITH 2.54um MIN SAC SOLDER ON SOLDER TAILS.  
 CONTACTS: PHOSPHOR BRONZE, 1.27um MIN OVERALL NICKEL UNDERPLATE,  
 WITH SELECT 0.05um MIN GOLD OVER 0.76um MIN PALLADIUM-NICKEL AT  
 MATING INTERFACE AND 2.54um MIN MATTE TIN ON SOLDER TAILS.  
 LED: DIFFUSED EPOXY LENS; CARBON STEEL LEAD FRAME TAILS OF LED  
 ARE PREPLATED WITH 2.03um MIN SILVER OVER 1.02um MIN NICKEL  
 UNDERPLATE OVER 1.02um MIN COPPER UNDERPLATE, POST-PLATED WITH  
 2.54um MIN MATTE TIN AND/OR SAC SOLDER DIP OR PURE TIN SOLDER DIP  
 ALL PC BOARDS: HIGH TEMPERATURE PCB, TG>170°C
- MAGNETICS**  
 APPLICATION: 10/100/1000 BASE-T  
 IMPEDANCE: 100 OHMS  
 TURNS RATIO (CRIP:CABLE): 1:1 ALL FOUR PAIRS  
 OPEN CIRCUIT INDUCTANCE (OCL): 350uH MIN @100kHz, 0.1VRMS,  
 8mADC BIAS FROM 0°C TO 70°C, ALL FOUR PAIRS  
 ALL FOUR PAIRS BI-DIRECTIONAL  
 PERFORMANCE @ 25°C:  
 INSERTION LOSS (IL): 1.1dB MAX FROM 0.5MHz TO 100MHz  
 RETURN LOSS (RL): 12-20LOG(I/80)dB MIN FROM 40.1MHz TO 100MHz  
 CROSSTALK ATTENUATION: 35dB MIN FROM 0.5MHz TO 40MHz  
 33-20LOG(I/50)dB MIN FROM 40.1MHz TO 100MHz  
 COMMON MODE REJECTION RATIO (CMRR): 30dB MIN FROM 0.5MHz TO 100MHz  
 ISOLATION VOLTAGE: 2250VDC(MAX) FOR 60 SECONDS WITH A RISE TIME OF  
 500V/SEC AND WITH ALL PORTS CONNECTED.
- PART NUMBER, DATE CODE AND COUNTRY OF ORIGIN ARE**  
 LOCATED IN APPROXIMATE AREA SHOWN. DATE CODE: YYWW WHERE "YY" IS YEAR,  
 "WW" IS WEEK, "D" IS DAY OF WEEK, WITH SUNDAY=1.
- TYCO ELECTRONICS LOGO AND AGENCY APPROVAL LOGO ARE**  
 LOCATED IN APPROXIMATE AREA SHOWN.
- OPERATING TEMP:** FROM 0°C TO +70°C.
- RJ45 CAVITY CONFORMS TO FCC RULES AND REGULATION PART 68 SUBPART F.**
- INDICATED MAGNETIC CONNECTIONS ARE SYMMETRICAL AND**  
 SUPPORT AUTO-MDI/MDIX.
- DATUM AND BASIC DIMENSION ESTABLISHED BY CUSTOMER.**
- BASIC DIMENSION ESTABLISHED BY CUSTOMER, BUT MAY NOT BE**  
 GREATER THAN 5.08mm.
- LEDS ARE DRIVEN WITH CONSTANT CURRENT AT APPROX 20ma**  
 LED COLOR: DOMINANT WAVELENGTH (λD): GREEN 568 nm TYP. @ IF=20ma  
 FORWARD VOLTAGE (VF): GREEN 2.2V TYP. @ IF=20ma  
 DOMINANT WAVELENGTH (λD): ORANGE 605 nm TYP. @ IF=20ma  
 FORWARD VOLTAGE (VF): ORANGE 2.1V TYP. @ IF=20ma  
 DOMINANT WAVELENGTH (λD): YELLOW 588 nm TYP. @ IF=20ma  
 FORWARD VOLTAGE (VF): YELLOW 2.1V TYP. @ IF=20ma
- THE PARTS ARE RECOMMENDED FOR WAVE SOLDERING PROCESS.**  
 PEAK TEMPERATURE 260°C MAX, 10 SECONDS MAX.

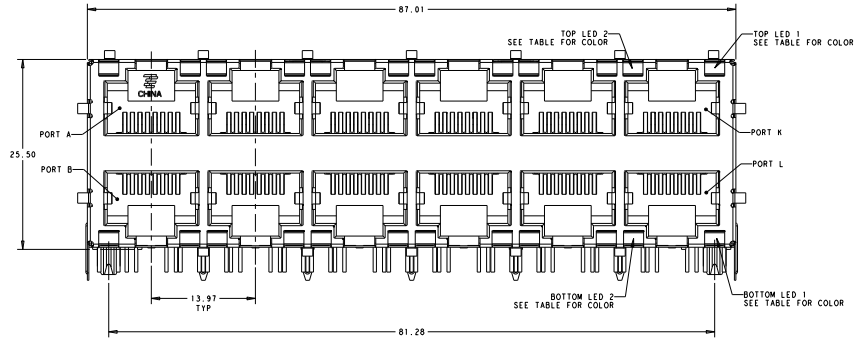
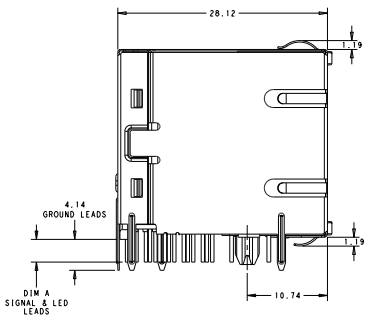
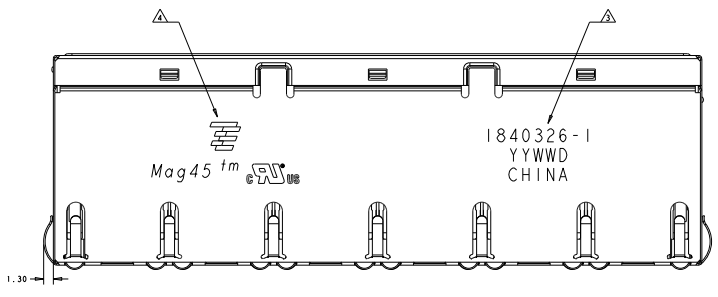
THIS PRODUCT HAS NOT COMPLETED  
 VALIDATION/QUALIFICATION TESTING

REV	DATE	DESCRIPTION	BY	CHKD	APP'D	PART NUMBER
3.04	GRN/ORA	GRN/ORA	GRN/ORA	GRN/ORA	GRN/ORA	2-1840326-7
3.56	GRN/ORA	GRN/ORA	GRN/ORA	GRN/ORA	GRN/ORA	1-1840326-7
3.56	GRN/YEL	GRN/YEL	GRN/YEL	GRN/YEL	GRN/YEL	1-1840326-8
3.04	GREEN	GREEN	GREEN	GREEN	GREEN	1840326-1

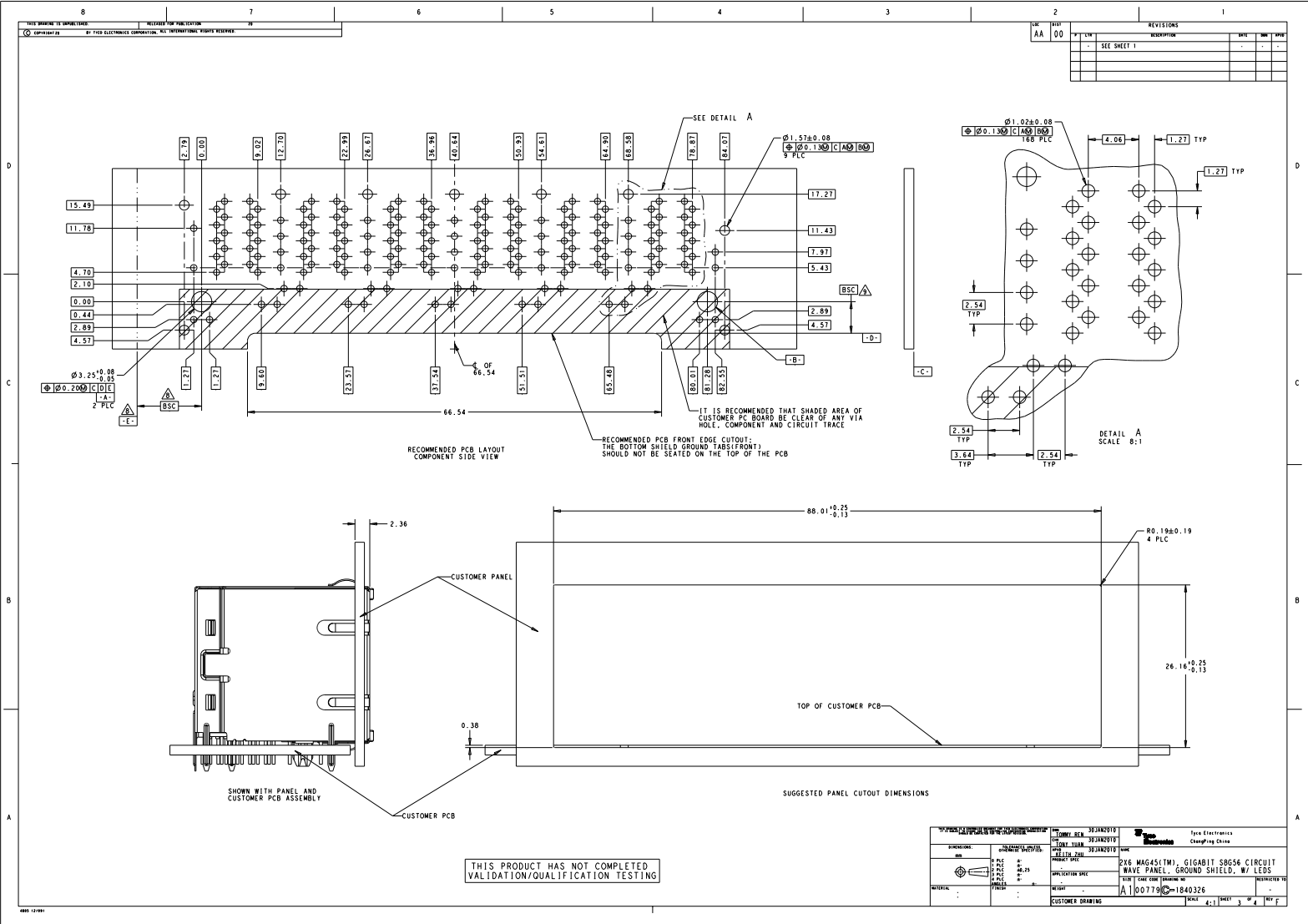
REV	DATE	DESCRIPTION	BY	CHKD	APP'D	PART NUMBER
3.04	GRN/ORA	GRN/ORA	GRN/ORA	GRN/ORA	GRN/ORA	2-1840326-7
3.56	GRN/ORA	GRN/ORA	GRN/ORA	GRN/ORA	GRN/ORA	1-1840326-7
3.56	GRN/YEL	GRN/YEL	GRN/YEL	GRN/YEL	GRN/YEL	1-1840326-8
3.04	GREEN	GREEN	GREEN	GREEN	GREEN	1840326-1

REVISIONS			
REV	DATE	DESCRIPTION	BY
AA	00	SEE SHEET 1	

THIS PRODUCT HAS NOT COMPLETED  
 VALIDATION/QUALIFICATION TESTING

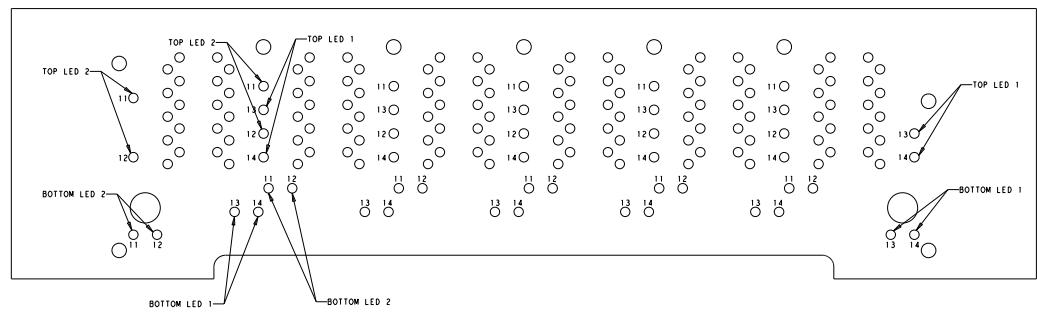


SYMBOLS		DIMENSIONS		MATERIALS		FINISHES		COLORS		OTHER	
SYMBOL	DESCRIPTION	SYMBOL	DESCRIPTION	SYMBOL	DESCRIPTION	SYMBOL	DESCRIPTION	SYMBOL	DESCRIPTION	SYMBOL	DESCRIPTION

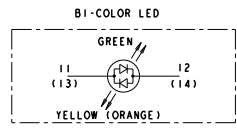
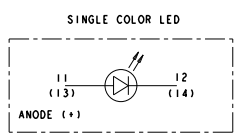


DATE	03/24/2010	REV	00
DESIGNER	WANG, YUN	APPR	WANG, YUN
CHECKER	WANG, YUN	DATE	03/24/2010
DESCRIPTION	2X6 MAG45(TM) GIGABIT S8G56 CIRCUIT WAVE PANEL, GROUND SHIELD, W/ LEADS		
QUANTITY	1840326	UNIT	PCS
PROJECT	1840326		
DRAWN	WANG, YUN	DATE	03/24/2010
CHECKED	WANG, YUN	DATE	03/24/2010
APPROVED	WANG, YUN	DATE	03/24/2010
CUSTOMER DRAWING	SCALE	SHEET	1 OF 1

REVISIONS			
REV	DATE	DESCRIPTION	BY
AA	00	SEE SHEET 1	



LED HOLE DESIGNATIONS  
 VIEWED FROM COMPONENT SIDE



THIS PRODUCT HAS NOT COMPLETED  
 VALIDATION/QUALIFICATION TESTING

CUSTOMER DRAWING A 100779-1840326		SCALE: 5:1 SHEET: 4 OF 4	
DATE: 02/28/2016 TIME: 10:11:30 AM DRAWN BY: [Signature] CHECKED BY: [Signature]		TYPE ELECTRONICS Changping China	
PART: 1840326 QTY: 1000000 DATE: 02/28/2016 TIME: 10:11:30 AM		2X6 MAG45(TM), GIGABIT S8G56 CIRCUIT WAVE PANEL, GROUND SHIELD, W/ LEADS	