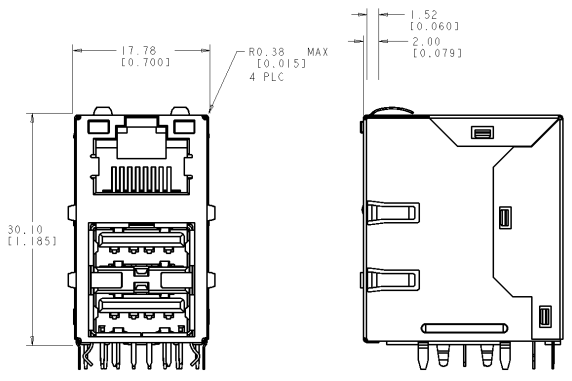
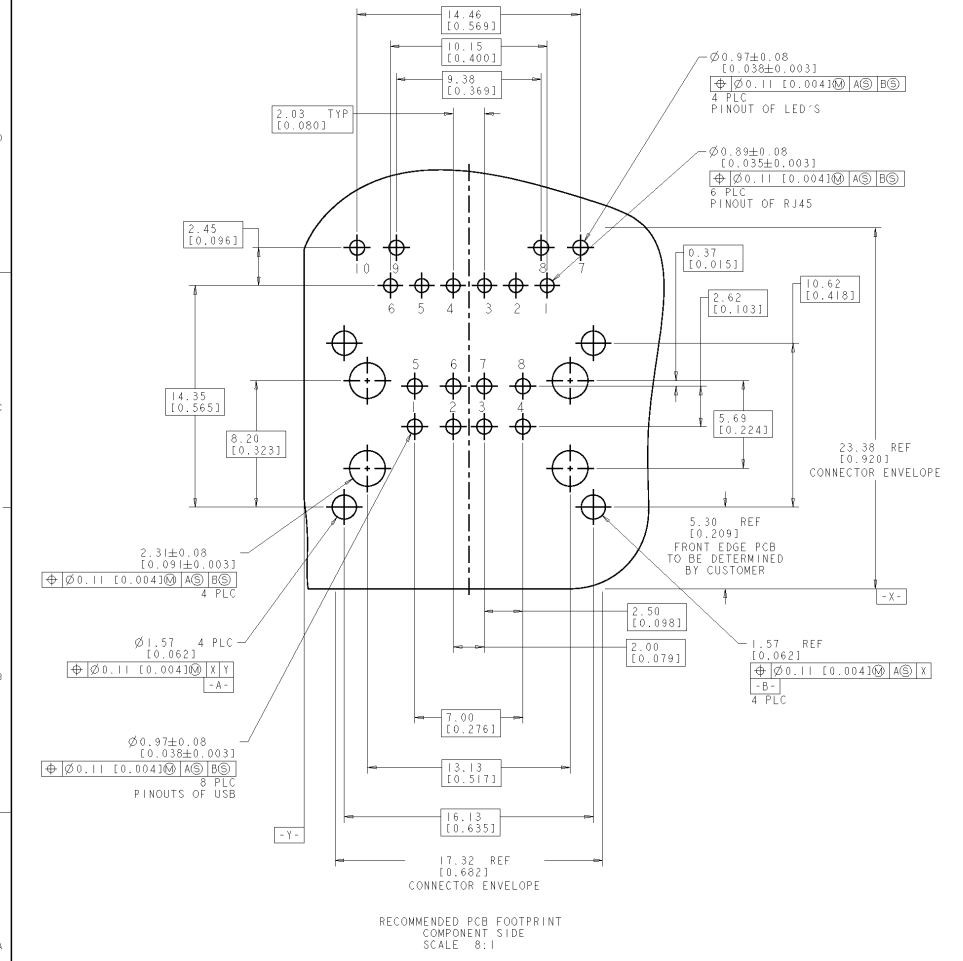


REV. SYMBOL	DESCRIPTION
1	INITIAL RELEASE

REV. SYMBOL	DESCRIPTION	DATE	BY	CHK
AA	00			

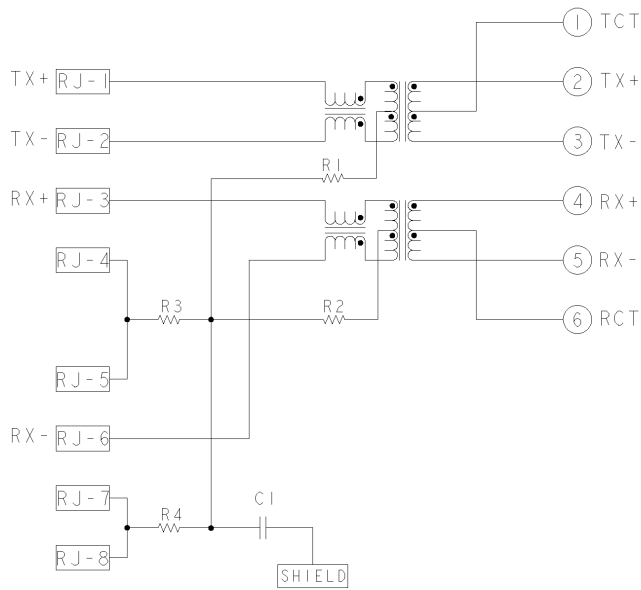


SUGGESTED PANEL CUTOUT DIMENSIONS
SCALE 4:1

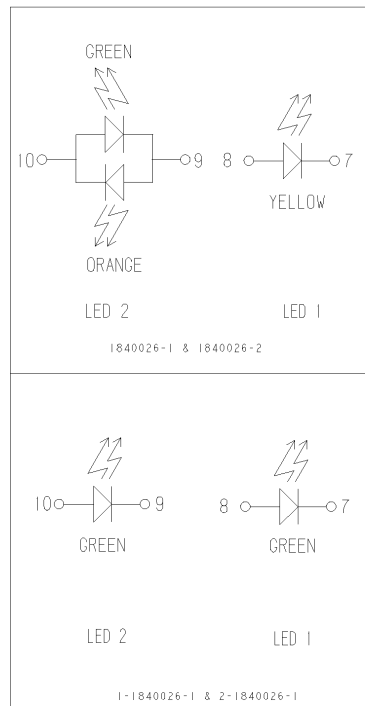
RECOMMENDED PCB FOOTPRINT
COMPONENT SIDE
SCALE 8:1

STE TE Connectivity RJ45 OVER DUAL USB M845 TW 10/100 USB204P12 CIRCUIT W/LED WAVE PANEL GROUND SHIELD		PART NO. 1840026 REV. A
CUSTOMER DRAWING 1840026	SHEET 2 OF 3	DATE 11/11/10

△ Circuit UR204P12 Schematic



R1-R4 = 75 Ohms, 1/16W, 5%
 C1 = 1000pF, 2kV



1840026-1 & 1840026-2

1-1840026-1 & 2-1840026-1

DRAWING NO. 1840026-1 REV. 00 DATE 01/10/2018		CUSTOMER DRAWING	
PART NO. 1840026-1 REV. 00 DATE 01/10/2018	PART NO. 1840026-2 REV. 00 DATE 01/10/2018	CUSTOMER NO. 1840026-1 & 2 REV. 00 DATE 01/10/2018	CUSTOMER NO. 1840026-1 & 2 REV. 00 DATE 01/10/2018



RJ45 OVER DUAL USB M845 TM
 10/100 U204P12 CIRCUIT W/LED
 WAVE PANEL GROUND SHIELD