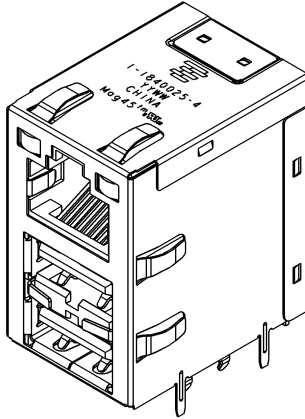
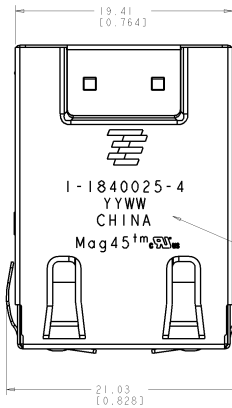
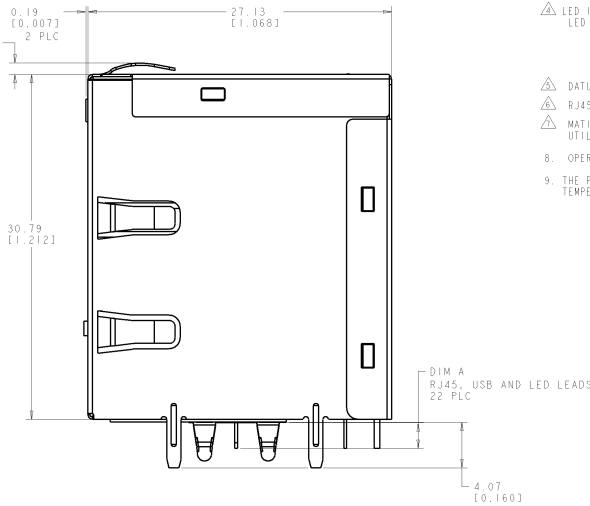
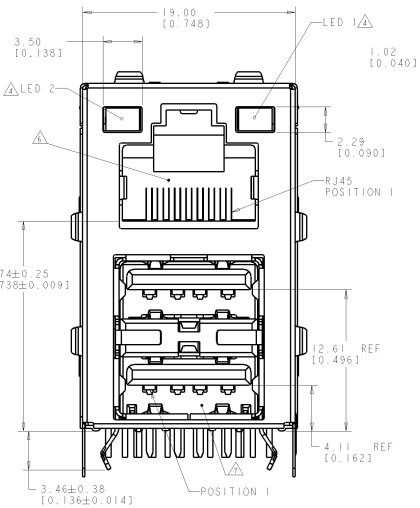


REV. NO.		REV. DATE		REV. DESCRIPTION	
1	AA	100			



SCALE 5:1



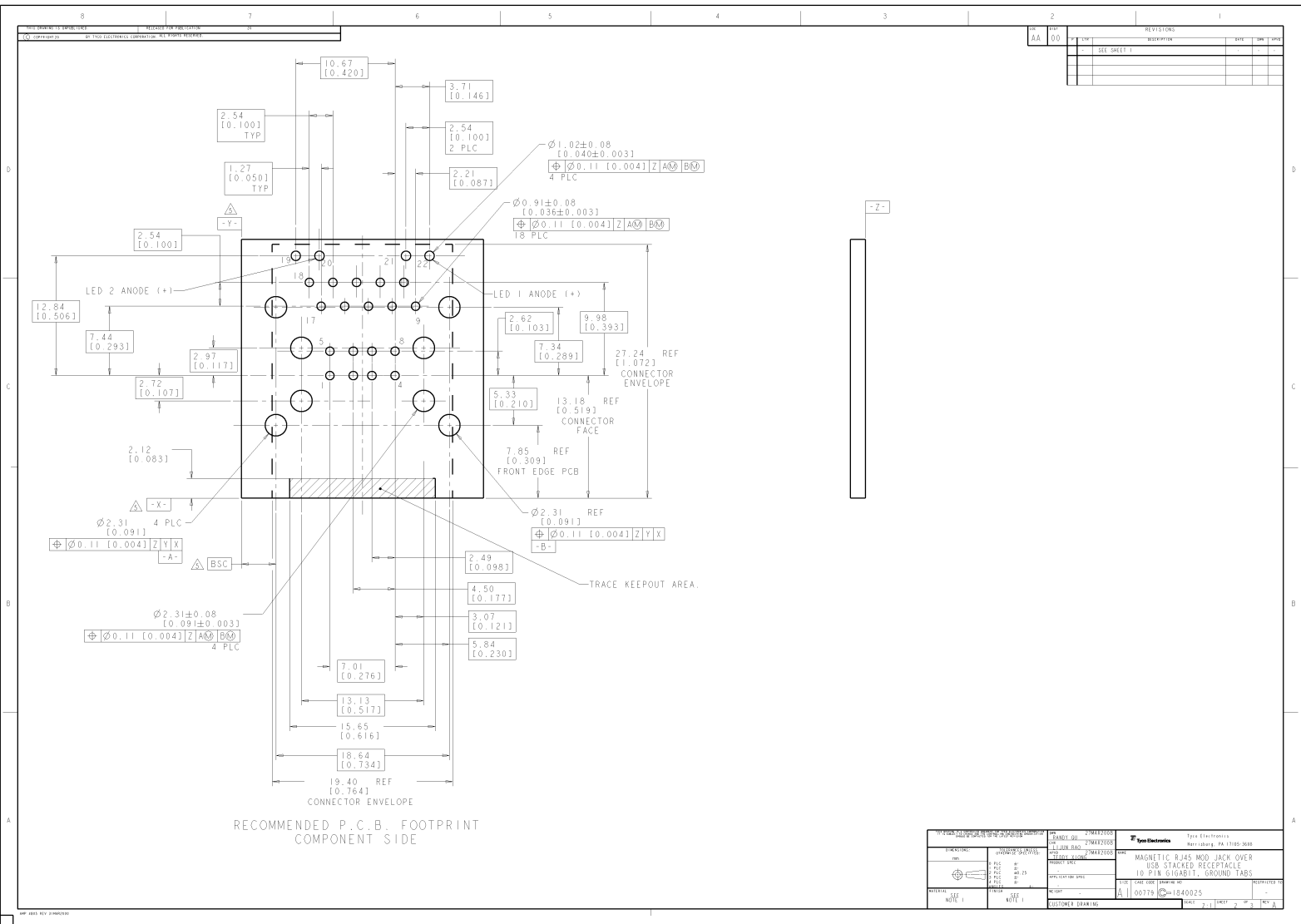
- USB MATERIALS:
SHELL - BRASS, PLATED WITH TIN 2.54µm MIN
HOUSING - BLACK, THERMOPLASTIC, GLASS FILLED, UL 94V-0 RATED
CONTACT - PHOSPHOR BRONZE WITH SELECTIVE GOLD PLATING
- RJ45 MATERIALS:
PLASTIC HOUSING - BLACK, THERMOPLASTIC FLAMMABILITY RATING UL 94V-0
SHIELD - BRASS, PLATED WITH 0.16 µm MIN SEMI-BRIGHT NICKEL,
SELECTED TIN 3.05µm MIN ON SOLDER TAILS ONLY
CONTACTS - PHOSPHOR BRONZE
PLATING - 1.27 µm MIN NICKEL UNDER PLATE WITH SELECT 1.27 µm MIN GOLD
AT MATING INTERFACE AND 3.05 µm MIN TIN ON CONTACT TAILS
- LED - DIFFUSED EPOXY LENS, 0.5 ± 0.5 CARBON STEEL WIREFRAME LEADS PRE-PLATED
WITH 2.03 µm MIN SILVER OVER 1.02 µm MIN NICKEL UNDERPLATE OVER
1.02 µm MIN COPPER UNDERPLATE. POST-PLATED WITH 2.54 µm MIN MATTE TIN
AND/OR SAC SOLDER DIP OR PURE TIN SOLDER DIP
- MAGNETICS
-APPLICATION: 107/100/1000 BASE-T
-IMPEDANCE: 100 OHMS
-TURNS RATIO (CHIP-CABLE): 1-1 ALL FOUR PAIRS
-OPEN CIRCUIT INDUCTANCE (OCL): 350nH MIN @100kHz, 0.1VRMS,
8mA DC BIAS FROM 0°C TO 70°C, ALL FOUR PAIRS
-ALL FOUR PAIRS BI-DIRECTIONAL
-PERFORMANCE @ 25°C:
INSERTION LOSS (IL): 1.1dB MAX FROM 0.5MHz TO 100MHz
RETURN LOSS (RL): 18dB MIN FROM 0.5MHz TO 40MHz
12-20LOG(f/50)dB MIN FROM 40.1MHz TO 100MHz
CROSSTALK ATTENUATION: 35dB MIN FROM 0.5MHz TO 40MHz
33-20LOG(f/50)dB MIN FROM 40.1MHz TO 100MHz
COMMON MODE REJECTION RATIO (CMRR): 30dB MIN FROM 0.5MHz TO 100MHz
-ISOLATION VOLTAGE: COMPLIES WITH IEEE802.3 2002, PARA 40.6.1.1, ITEM b.

- TYCO ELECTRONICS LOGO, PART NUMBER, DATE CODE, COUNTRY OF ORIGIN
AND AGENCY APPROVAL MARKING IN APPROXIMATE LOCATION SHOWN.
- LED IS DRIVEN WITH CONSTANT CURRENT AT APPROX 20mA.
LED COLOR: DOMINANT WAVELENGTH (λD): GREEN 568 nm TYP. @ IF=20mA
FORWARD VOLTAGE (VF): GREEN 2.2V TYP. @ IF=20mA
DOMINANT WAVELENGTH (λD): YELLOW 588 nm TYP. @ IF=20mA
FORWARD VOLTAGE (VF): YELLOW 2.1V TYP. @ IF=20mA.
- DATUM LOCATION AND DIMENSION TO BE ESTABLISHED BY CUSTOMER
- RJ45 CAVITY CONFORMS TO FCC RULES AND REGULATION PART 68 SUBPART F
- MATING INTERFACE COMPLIES WITH USB (UNIVERSAL SERIAL BUS) SPECIFICATION REV.2.0,
UTILIZING TYCO PN 292323 WITH USB 2.0 CERTIFICATE TEST ID NO. 6000242
- OPERATING TEMPERATURE: T = 0° C TO +70° C
- THE PART IS RECOMMENDED FOR WAVE SOLDERING PROCESS. PEAK SOLDERING
TEMPERATURE IS 265 °C MAX, 10sec MAX.

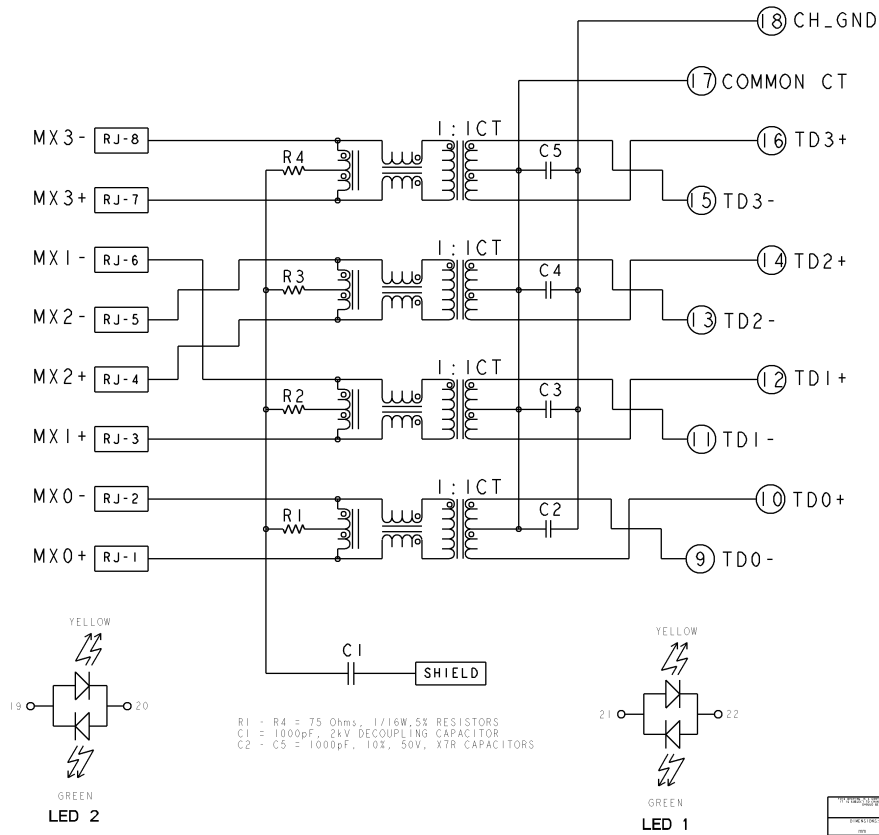
REV. NO.	REV. DATE	REV. DESCRIPTION	PART NUMBER
1	AA	100	I-1840025-4

REV. NO.	REV. DATE	REV. DESCRIPTION	PART NUMBER
1	AA	100	I-1840025-4

REV. NO.	REV. DATE	REV. DESCRIPTION	PART NUMBER
1	AA	100	I-1840025-4



UR3G05 GIGABIT CIRCUIT



REV. NO.		REV. DATE		REV. DESCRIPTION	
1	AA	100		SEE SHEET 1	

REV.	DATE	BY	CHKD.	APP.	DESCRIPTION
1	00779				160025

100% TESTED 100% INSPECTION 100% PACKING	2700K2010 2700K2010 2700K2010	Type Electronics Harrisburg, PA 17105-1610
--	-------------------------------------	---

100% TESTED 100% INSPECTION 100% PACKING	MAGNETIC RJ-45 MOD JACK OVER SUB STACKED RECEPTACLE 10 PIN GIGABIT, GROUND TABS
--	---