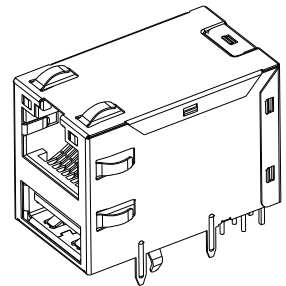
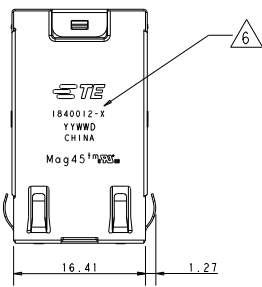
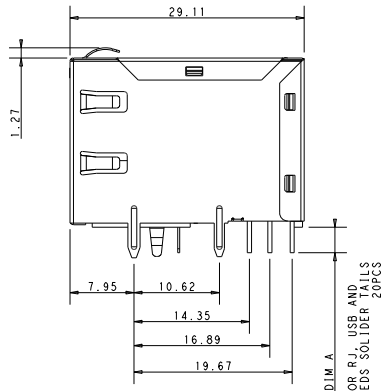
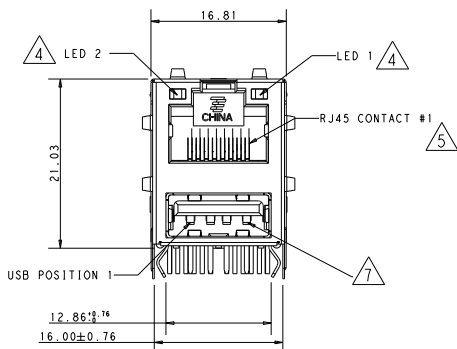


LOC	DIST	REVISIONS			
P	LTR	DESCRIPTION	DATE	DWN	APVD
E		PER ECO-11-010614	27MAY2011	RZ	KZ
F		ECO-11-019412	20JUN2011	PP	LJ



1. RJ45 MATERIALS
 HOUSING: THERMOPLASTIC, BLACK, FLAMMABILITY RATED UL 94V-0
 SHIELD: BRASS, 0.2 mm THICK
 PREPLATED WITH MIN 0.76 µm SEMI-BRIGHT NICKEL
 POST DIPPED WITH 2.54 µm MIN SAC SOLDER AT GROUND PINS.
 CONTACT: PHOSPHOR BRONZE, WITH 1.27 µm MIN OVERALL NICKEL UNDERPLATE
 AND SELECTIVE 1.27 µm MIN GOLD PLATING AT MATING INTERFACE
 SOLDER TAIL: COPPER STEEL, PLATED WITH 2.54 µm MIN MATTE TIN
 LED: DIFFUSED EPOXY LENS, 0.5 mm SQUARE CARBON STEEL WIREFRAME
 LEADS PREPLATED WITH 2.03 µm MIN SILVER OVER 1.02 µm MIN
 NICKEL OVER 1.02 µm MIN COPPER UNDERPLATE
 POST PLATED WITH 2.54 µm MIN MATTE TIN OR SAC TIN SOLDER DIP
 USB MATERIALS:
 HOUSING: THERMOPLASTIC, FLAMMABILITY RATED UL94V-0
 CONTACT: COPPER ALLOY WITH 0.76 µm MIN GOLD PLATING OVER 1.27 µm MIN
 OVERALL NICKEL UNDERPLATE
 SHELL: COPPER ALLOY, PREPLATED WITH MIN 0.76 µm SEMI-BRIGHT NICKEL,
 2.54 µm TIN PLATED



2. APPLICATION: 10/100/1000 BASE-T
 IMPEDANCE: 100 OHMS
 TURNS RATIO(CHIP: CABLE): 1:1 ALL FOUR PAIRS
 OPEN CIRCUIT INDUCTANCE(OCL): 350nH MIN @100kHz, 0.1 VRMS,
 8mADC BIAS FROM 0°C TO 70°C, ALL FOUR PAIRS
 ALL FOUR PAIRS BJ-DIRECTIONAL
 PERFORMANCE @ 25°C:
 INSERTION LOSS (IL): 1.1 dB MAX FROM 0.5MHz TO 100MHz
 RETURN LOSS (RL): 18dB MIN FROM 0.5MHz TO 40MHz
 12-20LOG(F/50) dB MIN FROM 40.1 MHz TO 100MHz
 CROSSTALK ATTENUATION: 35 dB MIN FROM 0.5 MHz TO 40 MHz
 33-20LOG(F/50) dB MIN FROM 40.1 MHz TO 100 MHz
 COMMON MODE REJECTION RATIO (CMRR): 30dBMIN FROM 0.5MHz TO 100MHz
 ISOLATION VOLTAGE: COMPLIES WITH IEEE802.3 2002, PARA 40.6.1.1, ITEM b

3. OPERATING TEMPERATURE 0°C TO +70°C.

4. LED IS DRIVEN WITH CONSTANT CURRENT APPROX 20 mA
 DOMINANT WAVE LENGTH(λD): GREEN 568 nm TYP, AT IF=20mA
 FORWARD VOLTAGE(VF): GREEN 2.2V AT IF=20mA
 DOMINANT WAVE LENGTH(λD): YELLOW 588 nm TYP, AT IF=20mA
 FORWARD VOLTAGE(VF): YELLOW 2.1V AT IF=20mA
 DOMINANT WAVE LENGTH(λD): ORANGE 608 nm TYP, AT IF=20mA
 FORWARD VOLTAGE(VF): ORANGE 2.1V AT IF=20mA

5. RJ45 CAVITY CONFORMS TO FCC RULES AND REGULATION PART 68 SUBPART F.

6. TE CONNECTIVITY LOGO, PART NUMBER, DATE CODE, COUNTRY OF ORIGIN, AGENCY APPROVAL MARKING LOGO LOCATED IN THE APPROXIMATE AREA SHOWN. DATE CODE YY IS YEAR, WW IS WORK WEEK D IS DAY OF WEEK WITH SUNDAY=1

7. MATING INTERFACE COMPLIES WITH USB SPECIFICATION REV 2.0.

8. THESE PARTS ARE RECOMMENDED FOR WAVE SOLDERING PROCESS. PREHEAT TEMPERATURE IS 120°C TO 160°C, 120 SECONDS TO 180 SECONDS, PEAK WAVE SOLDERING TEMPERATURE IS 260°C MAX., 10 SECONDS MAX.

TID#	DIM A	LED 2	LED 1	PART NUMBER
NO	3.81	GREEN/ORANGE	YELLOW	1-1840012-2
TID# 62001133	3.18	GREEN/ORANGE	YELLOW	1840012-2
NO	3.18	GREEN	GREEN	1840012-1

THIS DRAWING IS A CONTROLLED DOCUMENT.

DWN	SKY ZHAO	23-JAN-08	TE Connectivity MAG45(TM) OVER SINGLE USB URG41 GIGABIT CIRCUIT WITH LEDS						
CHK	KEITH ZHU	23-JAN-08							
APVD	TEDDY XIONG	23-JAN-08							
NAME									
PRODUCT SPEC	108-104005		SIZE	CAGE CODE	DRAWING NO	RESTRICTED TO			
APPLICATION SPEC			A3	00779	C=1840012	-			
WEIGHT			CUSTOMER DRAWING	SCALE	2:1	SHEET	1 OF 2	REV	F

