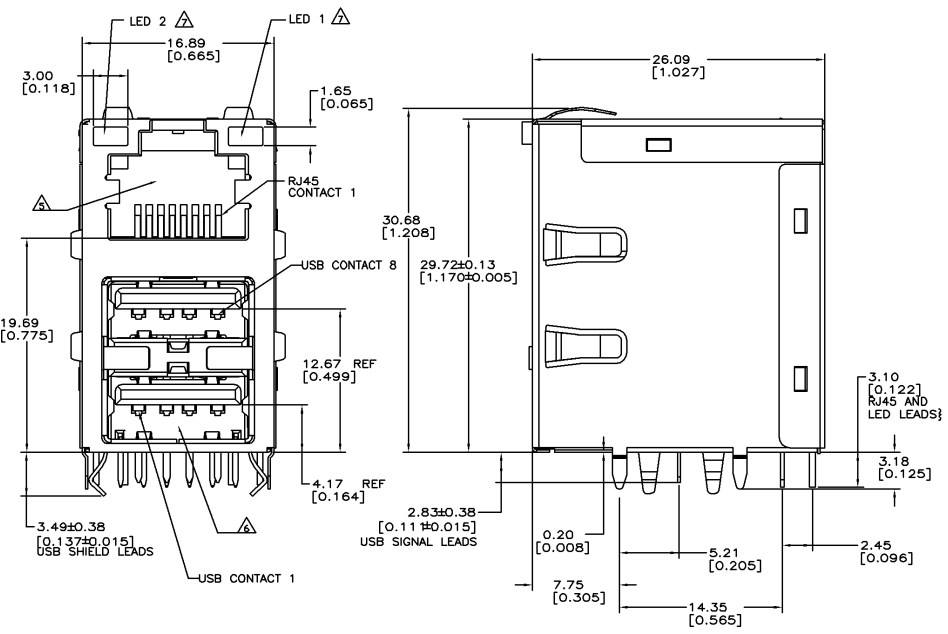
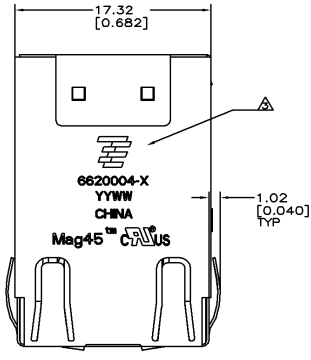


THE DRAWING IS UNPUBLISHED  
 ALL RIGHTS RESERVED  
 © 2008

REV	DATE	DESCRIPTION	BY	CHK	APP
AA	00	REVISED PER ECO-11-005140	3884411	RK	1881



- △ USB MATERIALS:  
 SHELL: BRASS  
 HOUSING: BLACK THERMOPLASTIC, GLASS FILLED, UL 94V-0 RATED  
 CONTACT: PHOSPHOR BRONZE WITH SELECTIVE GOLD PLATING, 0.76µm MIN IN CONTACT REGION  
 SPRING CLIP: COPPER ALLOY
- RJ45 MATERIALS:  
 PLASTIC HOUSING: BLACK, PET THERMOPLASTIC FLAMMABILITY RATING UL 94V-0  
 SHIELD: BRASS, PLATED WITH 0.76µm SEMI-BRIGHT NICKEL, SELECTED TIN, 2.0-3.8µm ON SOLDER TAILS ONLY  
 CONTACTS: PHOSPHOR BRONZE  
 PLATING: 1.27µm MIN NICKEL UNDERPLATE WITH SELECT 1.27µm MIN GOLD AT MATING INTERFACE AND 2.54µm MIN TIN ON CONTACT TAILS
- LIGHT PIPE: FLAME RETARDANT POLYCARBONATE  
 LED: DIFFUSED EPOXY LENS, CARBON STEEL LEAD FRAME WITH TIN/SILVER/NICKEL/COPPER PLATING
- △ MAGNETICS  
 -APPLICATION: 10/100 BASE-T  
 -IMPEDANCE: 100 OHMS  
 -TURNS RATIO (CHIP-CABLE): TX = 11, RX = 11  
 -OPEN CIRCUIT INDUCTANCE (OCL): 350µH MIN @100kHz, 0.1VRMS, 8mA DC BIAS FROM 0°C TO 70°C, TX AND RX  
 -PERFORMANCE @ 25°C  
 INSERTION LOSS (IL): 1.1dB MAX FROM 0.5MHz TO 100MHz  
 RETURN LOSS (RL): 18dB MIN FROM 0.5MHz TO 30MHz  
 18-20L(G/F/30)dB MIN FROM 30.1MHz TO 60MHz  
 12dB MIN FROM 60.1MHz TO 80MHz  
 CROSSTALK ATTENUATION: 35dB MIN FROM 0.5MHz TO 40MHz  
 33-20L(G/F/30)dB MIN FROM 40.1MHz TO 100MHz  
 COMMON MODE REJECTION RATIO (CMRR): 30dB MIN FROM 0.5MHz TO 100MHz  
 -ISOLATION VOLTAGE: COMPLIES WITH IEEE802.3 2002, PARA 23.5.1.1, ITEM b.

- △ PRODUCT IDENTIFICATION TO BE MARKED IN APPROXIMATE LOCATION.
- △ DATUM LOCATION AND DIMENSION TO BE ESTABLISHED BY CUSTOMER.
- △ RJ45 CAVITY CONFORMS TO FCC RULES AND REGULATION PART 68 SUBPART F.
- △ MATING INTERFACE COMPIES WITH USB (UNIVERSAL SERIAL BUS) SPECIFICATION REV 2.0 UTILIZING T100 P/N 292323-1 WITH USB 2.0 CERTIFICATE TEST ID NO. 60000242.
- △ LED'S COMPLIANT WITH IEC60825-1 SAFETY OF LASER PRODUCTS. WHEN OPERATED AT CURRENT OF 20 MA.
- 8. OPERATING TEMPERATURE: -FROM 0 °C TO + 70 °C
- 9. THESE PARTS ARE RECOMMENDED FOR WAVE SOLDERING PROCESS, PEAK SOLDERING TEMPERATURE IS 260 °C MAX, 10 SECONDS MAX.
- △ OBSOLETE PARTS: OBSOLETE CIS STREAMLINING PER D.RENAUD/D.SINISI

OBsolete	GREEN	GREEN	1000 pF, 3kV	1-6620004-1
	GREEN/ORANGE	YELLOW	1000 pF, 3kV	<del>6620004-2</del>
	GREEN/ORANGE	YELLOW	1000 pF, 2kV	6620004-1
	LED 2	LED 1	DECOUPLING CAPACITOR	PART NUMBER

THIS DRAWING IS A CONTROLLED DOCUMENT.	REVISIONS	DATE	BY	CHK	APP
DATE: 10/20/08	REV: 1	10/20/08	3884411	RK	1881
DATE: 10/20/08	REV: 2	10/20/08	3884411	RK	1881

DESCRIPTION	QUANTITY	UNIT	REVISIONS
RJ45 OVER DUAL USB W/INTEGRATED UR204P12 MAGNETICS, LED'S, IN LINE & PIN, 10/100 ETHERNET, PIN, GND SHIELD	1000	2100	1
DATE: 10/20/08	REV: 1	10/20/08	3884411

