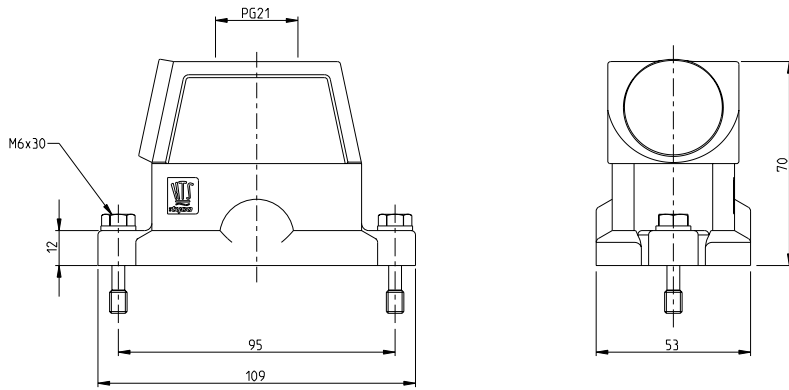


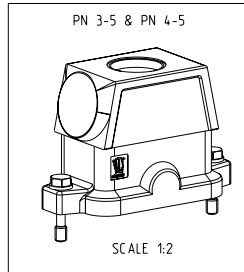
THIS DRAWING IS UNPUBLISHED. RELEASED FOR PUBLICATION 1997  
 © COPYRIGHT 1997 BY TYCO ELECTRONICS CORPORATION. ALL RIGHTS RESERVED.

LOC	DIST	REVISIONS				
P	LTR	DESCRIPTION	DATE	DNW	APVD	
C3		RELEASED AS PER ECR 08-023624	18-SEP-2008	GG	TS	

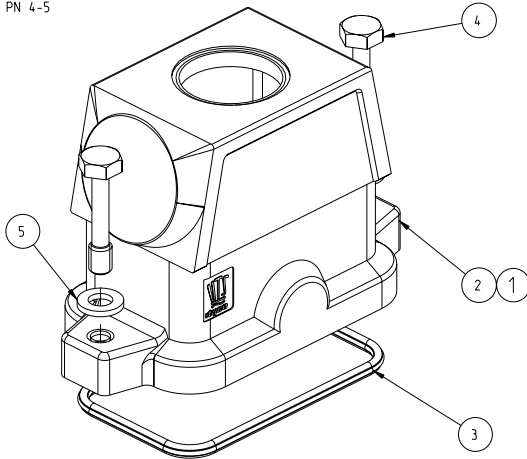
PN 3-5 & PN 4-5



- NOTES
- 1 MATERIAL: HOUSING: ALUMINIUM DIECASTING ALLOY
  - 2 SURFACE: VARNISH -GREY chromital TCP - PASSIVATION VARNISH BLACK
  - 3 PARTS SHALL BE FREE AND CLEAN OF BURRS AND OTHER FOREIGN MATERIAL



PN 3-5 & PN 4-5



QTY	DESCRIPTION	MATERIAL	SURFACE	COLOR	ITEM NO	NOTES
2	WASHER, PLAIN	STAINLESS STEEL	BLANK		5	
2	SCREW, HEXAGONAL BOLT	STAINLESS STEEL	BLANK		4	
1	SEAL	NBR		CONDUCTIVE BLACK	3	68±3.SHORE A
1	HOOD SIZE 4 HIP BG4 PG-THREAD	ALUMINIUM/ALU	YELLOW CHROMATED	BLACK RAL 9005	2	EMV-K.10/24
-	HOOD SIZE 4 HIP BG4 PG-THREAD	ALUMINIUM/ALU		GREY RAL 7001	1	EMV.10/24

QTY	DESCRIPTION	MATERIAL	SURFACE	COLOR	ITEM NO	NOTES
4-5	EMV.10/24.STO.1.21.G					
4-5	EMV-K.10/24.STO.1.21.G					

<small>THIS DRAWING IS A CONTROLLED DOCUMENT FOR TYCO ELECTRONICS CORPORATION. IT IS SUBJECT TO CHANGE AND THE CONTROLLING ENGINEERING ORGANIZATION SHOULD BE CONTACTED FOR THE LATEST REVISION.</small>		DWN 20.05.98 CHK Kramer	Tyco Electronics Tyco Electronics,AMP.GmbH 53757,SanktAugustin,Germany
DIMENSIONS: mm	TOLERANCES UNLESS OTHERWISE SPECIFIED: 0 PLC ± 1 PLC ± 2 PLC ± 3 PLC ± 4 PLC ± ANGLES ±	APVD - PRODUCT SPEC - APPLICATION SPEC - WEIGHT -	NAME HOOD ASSY EMV.10/24.STO.1.21.G SIZE CAGE CODE DRAWING NO RESTRICTED TO A3007799 C=1102715 -
MATERIAL 1	FINISH 2	CUSTOMER DRAWING SCALE 3:4 SHEET 1 OF 1 REV C3	

AMP 1470-19 REV 31MAR2000

Pro/ENGINEER DRAWING