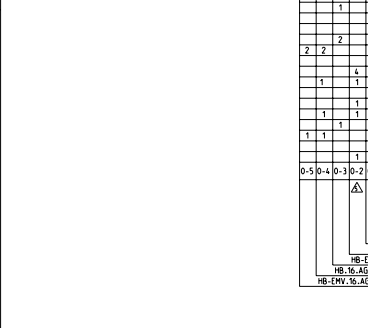
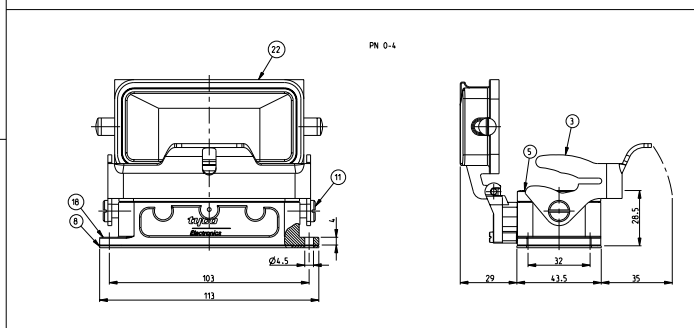
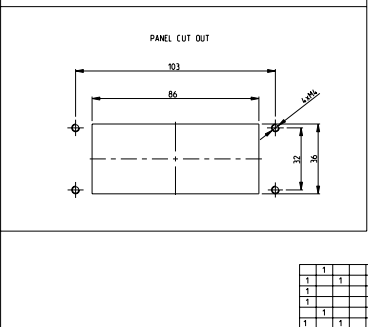
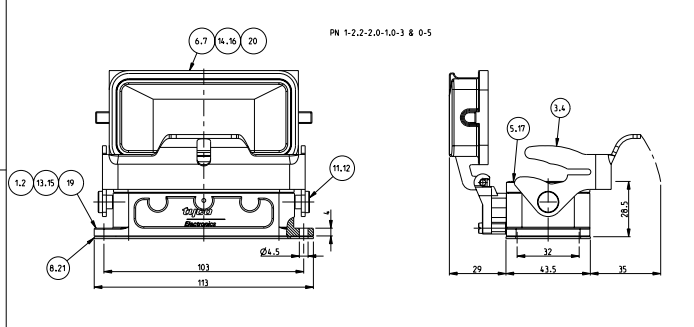
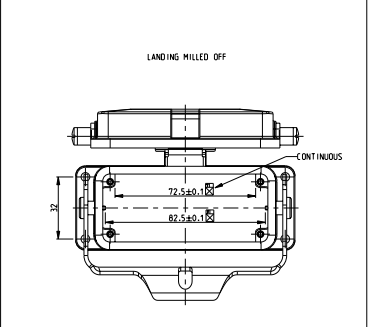
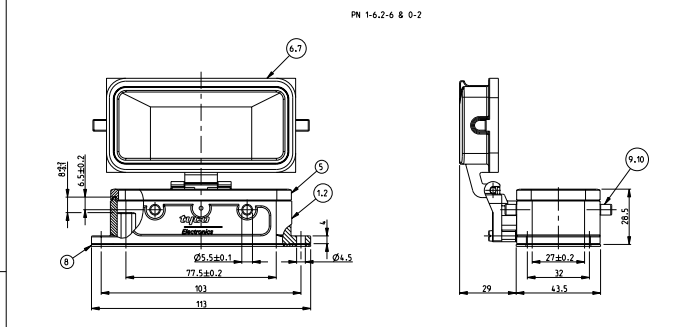
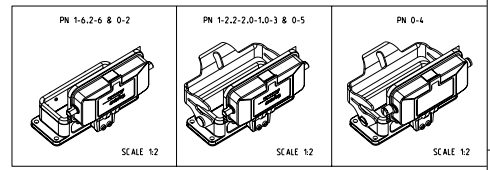


REV	DATE	DESCRIPTION	BY	CHK	APP
08	13.04.2000	Released as per ECR-07-03030	M. Gupta	SP	15



NOTES

- Material: Housing: Aluminium Diecasting Alloy
 Seals: Neoprene
- Surface: Varnish - Grey : Red
 - Aluminium Oxide - Varnish Black
 - Chromi AL TCR - passivation
- Varnish on the inside not necessary
- Packaging Quantity 5 Pieces in a box
- Special Packaging Quantity 50 pieces in a Kan ban box



QTY	DESCRIPTION	MATERIAL	SURFACE	COLOR	TECH NO	REMARKS
1	Cover HB	Aluminium		Grey	22	Neutral
1	Flange Seal	Neoprene		Black	21	Conductive
1	Cover HB-EWV	Aluminium	SEE NOTE	Black	20	
1	Surface mounted housing bottom entry HB-EWV	Aluminium	SEE NOTE	Black	19	
1	Surface mounted housing bottom entry HB	Aluminium	SEE NOTE	Grey	18	Neutral
1	Profile Seal	Neoprene		Black	17	Conductive
1	Cover HB-EWV	Aluminium	SEE NOTE	W/without varnish	16	
1	Surface mounted housing bottom entry HB-EWV	Aluminium	SEE NOTE	W/without varnish	15	
1	Cover HB	Aluminium		Red	14	
1	Surface mounted housing bottom entry HB	Aluminium		Red	13	
2	LB-Clip Positioner	Stainless Steel	Blank		12	
2	LB-Clip Positioner	Steel	Zinc Plated	Blue	11	
4	VS-Clip Bott	Stainless Steel	Blank		10	
4	VS-Clip Bott	Steel	Zinc Plated	Blue	9	
1	Flange Seal	Neoprene		Black	8	
1	Cover HB-K	Aluminium	Aluminium Oxide	Black	7	
1	Cover HB	Aluminium	Grey	Black	6	
1	Profile Seal	Neoprene		Black	5	
1	LB-Side Clip	Stainless Steel	Blank		4	
1	LB-Side Clip	Steel	Zinc Plated	Blue	3	
1	Surface mounted housing bottom entry HB-K	Aluminium	Aluminium Oxide	Black	2	
1	Surface mounted housing bottom entry HB	Aluminium	Grey		1	
0-5	ORDERING TEXT	MATERIAL	SURFACE	COLOR	TECH NO	REMARKS
0-4	HB-16-AGD-1B					
0-3	HB-K-16-AGD-1B					
0-2	HB-16-AGD					
0-1	HB-K-16-AGD-1B					
1-6	HB-16-AGD-1B					
2-2	HB-16-AGD-KM					
1-2	HB-16-AGD-1B					
1-2	HB-EWV-16-AGD-1B					

DATE: 13.04.2000
 DRAWING NO: 007719
 CUSTOMER DRAWING
 TITLE: Surface Mounted Housing Bottom Entry HB-16-AGD
 DRAWN BY: M. Gupta
 CHECKED BY: SP
 APPROVED BY: M. Gupta
 SCALE: 1:2
 SHEET: 1 OF 1