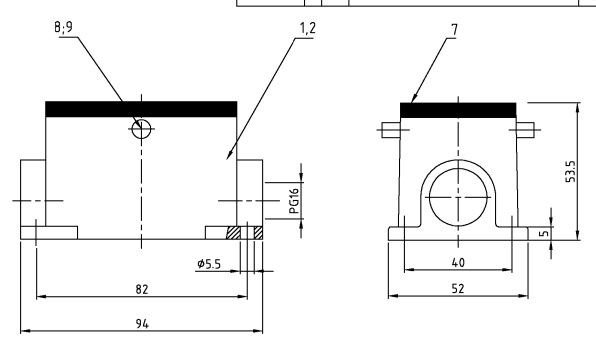
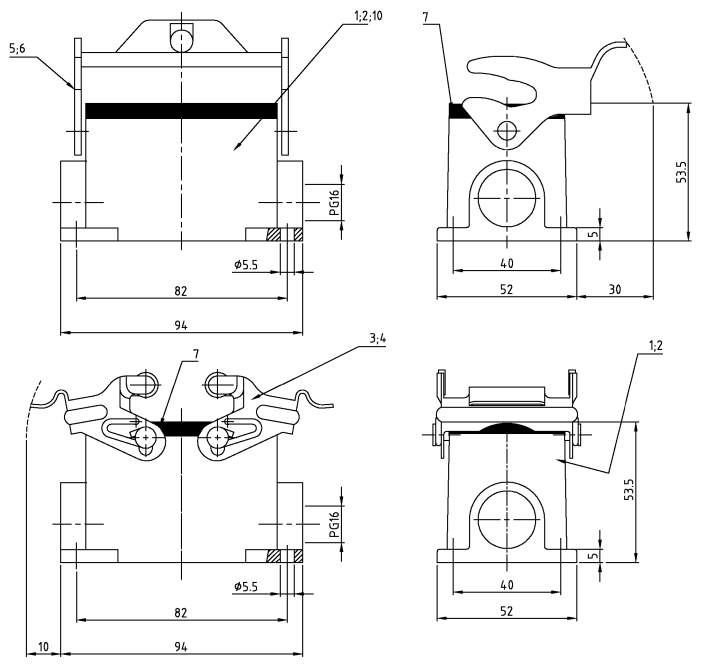


THIS DRAWING IS UNPUBLISHED. RELEASED FOR PUBLICATION
 VESTIRLICHE ANWENDUNG: VERÖFFENTLICHUNG
 BY AMP INCORPORATED. ALLE RECHTE VORBEHALTEN

| REV. NO. | DATE | BY | CHK | DESCRIPTION |
|----------|----------|----|-----|------------------------------------|
| 1 | 18.05.93 | SR | DM | AM 6-1 rev, 600-1799-93 PM 6-1 rev |



- Notes:
- Material: Housing: aluminium diecasting alloy
 - Seals: Neoprene
 - Surface: Varnish - aluminiumoxid-
Varnish black
- grey
 - Varnish on the inside not necessarily
- Bemerkungen:
- Material: Gehäuse: Alu-Druckguß-Legierung
 - Dichtung: Neoprene
 - Oberfläche: Lackierung - Aluminiumoxid-
Lackierung schwarz
- grau
 - Lackierung im Gehäuseinnere ist nicht notwendig

| QTY | REV | DESCRIPTION / BENENNUNG | MATERIAL | SURFACE/OBERFLÄCHE | COLOR/FARBE | ITEM NO. POS. | REMARKS / BEMERKUNGEN | | | | | |
|-----|-----|-------------------------|---------------|--------------------|-------------|---------------|-----------------------|---------------|----------------|---------------|---|--|
| 1 | - | Socket housing HB | Aluminium/ALU | - | unlacked | 10 | | | | | | |
| - | 2 | ZB-Bügelbolzen | VZA | - | - | 9 | | | | | | |
| - | 2 | ZB-Bügelbolzen | Stahl/steel | verzinkt | blau/blue | 8 | | | | | | |
| 1 | 1 | 1 | 1 | 1 | 1 | 1 | Profildichtung | Neoprene | - | black/schwarz | 7 | |
| 1 | - | 1 | - | - | - | - | LB-Bügel | VZA | blank | - | 6 | |
| - | - | - | - | - | - | - | LB-Bügel | Stahl/steel | verzinkt | blau/blue | 5 | |
| - | - | - | - | - | - | - | VS-Bügel | VZA | blank | - | 4 | |
| - | - | - | - | - | - | - | VS-Bügel | Stahl/steel | verzinkt | blau/blue | 3 | |
| - | 1 | - | 1 | - | - | - | Socket housing HB-K | Aluminium/Alu | Aluminium/oxid | black/schwarz | 2 | |
| - | 1 | - | 1 | - | - | - | Socket housing HB | Aluminium/ALU | - | grey/grau | 1 | |

| | | | | | | |
|--------------------|---------------------------|------------------------|----------------------|--------------------|----------------------|--------------------|
| HB 10.SG.LB.1.16.Z | HB K7.Z.10.SG.ZVGR.1.16.Z | HB Z.10.SG.ZVGR.1.16.Z | HB K.10.SG.LB.1.16.Z | HB 10.SG.LB.1.16.Z | HB K.10.SG.VS.1.16.Z | HB 10.SG.VS.1.16.Z |
|--------------------|---------------------------|------------------------|----------------------|--------------------|----------------------|--------------------|

| | | | | | |
|---------------------|------------------------------------|----|-----------|-----|--------------|
| DATE | 13.04.98 | BY | Schneider | CHK | M. Schwelger |
| PRODUCT SPEC | Surface mounted housing side entry | | | | |
| PRODUCT SPEZ. | Sockelgehäuse HB.10.SG.1.16.Z | | | | |
| APPLICATOR SPEC | - | | | | |
| VEHICLE/ENGINE SPEC | - | | | | |
| WEIGHT | - | | | | |
| BEWECHT | - | | | | |
| CUSTOMER DRAWING | /KUNDENZEICHNUNG | | | | |

| | | | | | |
|---------------|---------|-----------|-------|-------------|----------|
| SIZE | A2 | CASE CODE | 00779 | DRAWING NO. | 1102274 |
| TECHNICAL NO. | 1102274 | | | | |
| RESTRICTED TO | - | | | | |
| REV | 1 | OF | 1 | DATE | 18.05.93 |