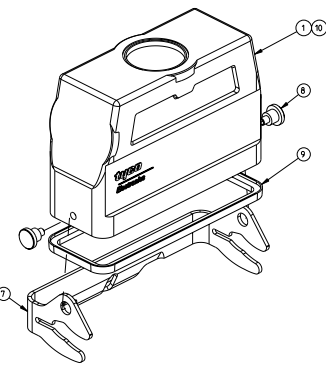
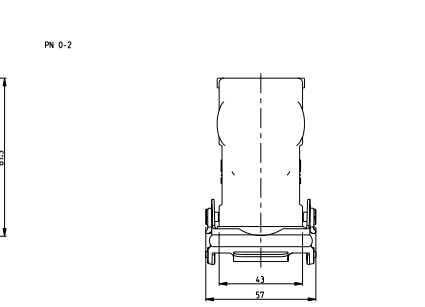
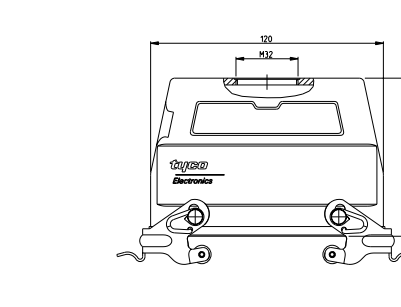
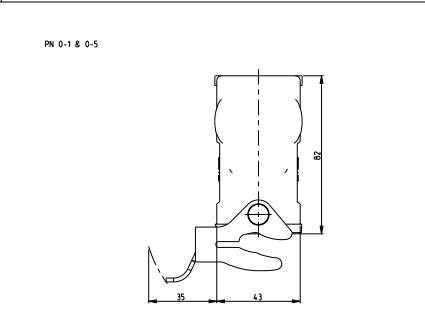
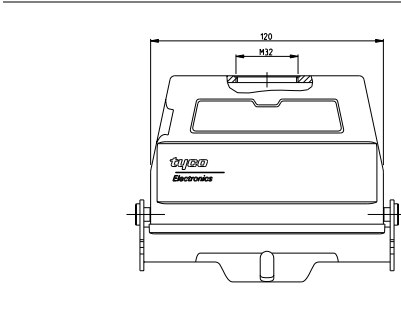
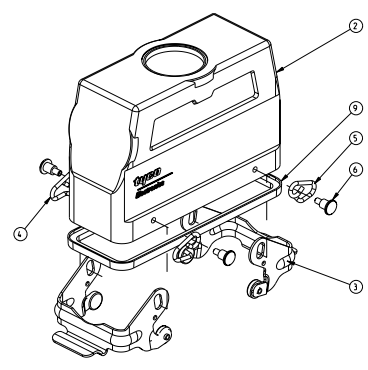


DATE VARIATION TO IMPROVEMENTS RECEIVED FOR FABRICATION
 BY TECH ELECTRONICS CORPORATION. ALL DIMENSIONS UNLESS OTHERWISE SPECIFIED ARE IN MILLIMETERS.

PN 0-1 & 0-5

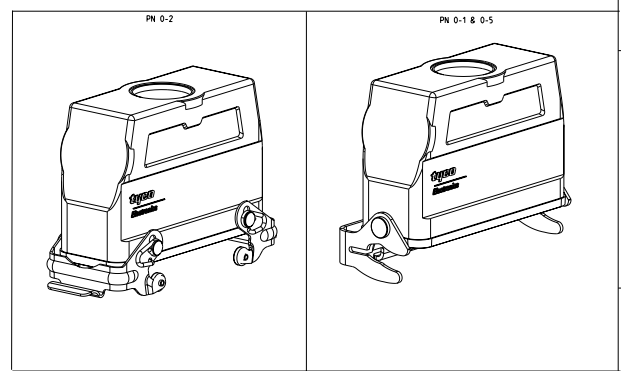


PN 0-2



REV. NO.		REVISIONS	
REV. NO.	DESCRIPTION	DATE	BY
A3	RELEASED AS PER ECR 09-002509	04-FEB-09	EG TS
AA	ECR-10-008207	27-MAR-10	VS GW

NOTES:
 1 PACKAGING QUANTITY: 5 PIECES PER BOX
 △ MATERIAL: SEE TABLE
 △ SURFACE: SEE TABLE
 4 VARNISH ON THE INSIDE NOT NECESSARY



QTY	REV.	DESCRIPTION	MATERIAL	SURFACE	COLOR	ITEM NO.	NOTES
1	-	CABLE TO CABLE HOOD	ALUMINIUM	-	GREY RAL 7001	11	WITHOUT LOGO
-	1	CABLE TO CABLE HOOD	ALUMINIUM	-	GREY RAL7001	10	WITHOUT LOGO
1	1	1 CABLE TO CABLE PROFILE SEALS	NEOPRENE	-	BLACK	9	
2	2	2 CLIP POSITIONER	STEEL	ZINC PLATED	BLUE	8	
1	1	1 SIDE CLIP	STEEL	ZINC PLATED	BLUE	7	
-	4	4 CLIP POSITIONER	STEEL	ZINC PLATED	BLUE	6	
-	2	2 CLIP SPRING LEFT	STEEL	ZINC PLATED	BLUE	5	
-	2	2 CLIP SPRING RIGHT	STEEL	ZINC PLATED	BLUE	4	
-	2	2 LOCKING CLIP	STEEL	ZINC PLATED	BLUE	3	
-	1	1 CABLE TO CABLE HOOD	ALUMINIUM	-	GREY RAL7001	2	
-	1	1 CABLE TO CABLE HOOD	ALUMINIUM	-	GREY RAL7001	1	

ORDERING TEXT:
 HD64.KD0-VS-1.M32.G
 HD64.KD0-VS-1.M32.G
 HD64.KD0-LB-1.M32.G

DATE: 06.08.2003	BY: [Signature]	FOR: Tech Electronics APF GmbH
DATE: 06.08.2003	BY: [Signature]	FOR: Tech Electronics APF GmbH

DESCRIPTION: CABLE TO CABLE HOOD ASSY
 HD_64.KD0-VS/LB-1.M32.G

SIZE: A | 00779 | 1106468

CUSTOMER DRAWING