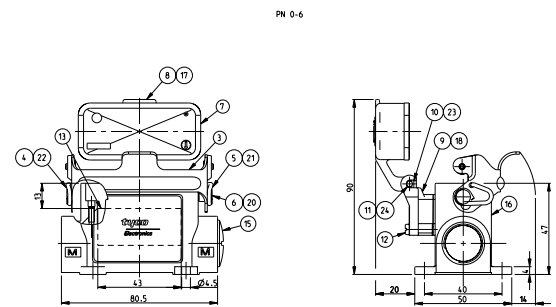
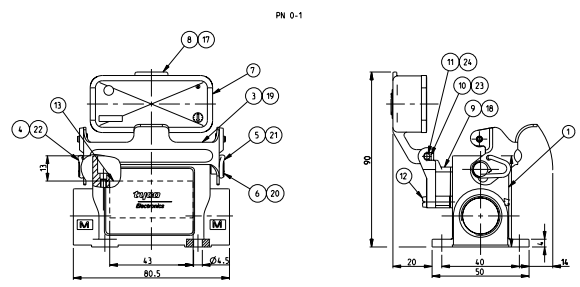
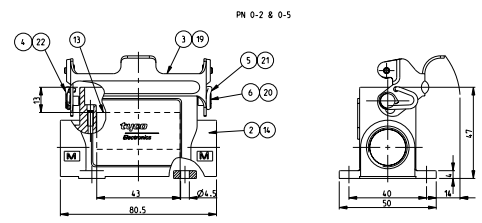
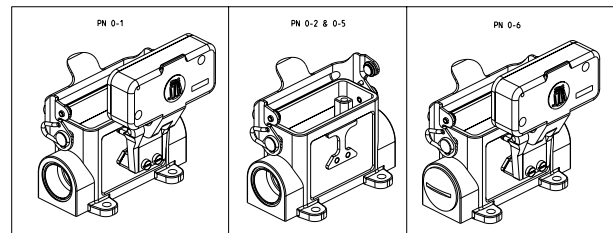


| REV | DESCRIPTION | DATE | BY | APP |
|-----|-------------|------------|----------|-----|
| 01 | EA | 03-10-2012 | TECHCORP | SR |

- NOTES
1. PACKAGING QUANTITY: 5 PIECES PER BOX
 1. MATERIAL: HOUSING: ALUMINIUM DIECASTING ALLOY
 1. SEAL: NEOPRENE
 1. SURFACE: VARNISH GREY
 1. VARNISH ON THE INSIDE NOT NECESSARY



| QTY | DESCRIPTION | MATERIAL | SURFACE | ITEM NO | REMARKS |
|----------------------|------------------------------------|------------------|------------------|---------|----------|
| 1 | GROVED PIN | STAINLESS STEEL | BLANC | 24 | |
| 1 | LEAF SPRING | STAINLESS STEEL | BLANC | 23 | |
| 1 | CLIP SPRING RIGHT | STAINLESS STEEL | BLANC | 22 | |
| 1 | CLIP SPRING LEFT | STAINLESS STEEL | BLANC | 21 | |
| 2 | CLIP POSITIONER | STAINLESS STEEL | BLANC | 20 | |
| 1 | SIDE CLIP | STAINLESS STEEL | BLANC | 19 | |
| 1 | HINGE | ALUMINIUM | HART COAT BLACK | 18 | |
| 1 | COVER | ALUMINIUM | HART COAT BLACK | 17 | |
| 1 | Surface Mounted Housing-Side Entry | ALUMINIUM | HART COAT BLACK | 16 | |
| 1 | Blanking Piece With Sealing-Metric | ALUMINIUM | HART COAT BLACK | 15 | |
| 1 | Surface Mounted Housing-Side Entry | ALUMINIUM | BLACK | 14 | |
| 2 | 2 Insulating Tape | LDKPLAST TYP 303 | GREY | 13 | PVC-Soft |
| 2 | 2 Locking Screw | STAINLESS STEEL | BLANC | 12 | M1x6 |
| 1 | GROVED PIN | STEEL | ZINC PLATED BLUE | 11 | D13x30 |
| 1 | LEAF SPRING | STEEL | ZINC PLATED BLUE | 10 | |
| 1 | HINGE | ALUMINIUM | GREY | 9 | |
| 1 | COVER | ALUMINIUM | GREY | 8 | |
| 1 | PROFILE SEAL | Neoprene | Black | 7 | |
| 2 | 2 CLIP POSITIONER | STEEL | ZINC PLATED BLUE | 6 | |
| 1 | 1 CLIP SPRING LEFT | STEEL | ZINC PLATED BLUE | 5 | |
| 1 | 1 CLIP SPRING RIGHT | STEEL | ZINC PLATED BLUE | 4 | |
| 1 | 1 SIDE CLIP | STEEL | ZINC PLATED BLUE | 3 | |
| 1 | Surface Mounted Housing-Side Entry | ALUMINIUM | GREY | 2 | |
| 1 | Surface Mounted Housing-Side Entry | ALUMINIUM | GREY | 1 | |
| 0-6-0-5-0-2-1 | | | | | |
| HA-10-S5G-1B-2-M20-2 | | | | | |
| HA-10-S5-1B-2-M20-2 | | | | | |
| HA-10-S5-1B-2-M20-2 | | | | | |
| HA-10-S5G-1B | | | | | |

HA-10-S5G-1B

DATE: 03/2006
 DRAWN BY: S. SCHNEIDER
 CHECKED BY: S. SCHNEIDER
 APPROVED BY: S. SCHNEIDER

TECH ELECTRONICS AG
 5393 Sauer Augen in Germany

SURFACE MOUNTED HOUSING
 HA-10

SCALE CODE: 1:1
 PART NO: 007719
 CUSTOMER DRAWING