

4

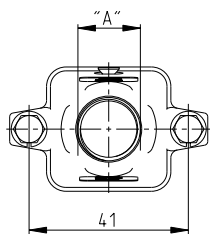
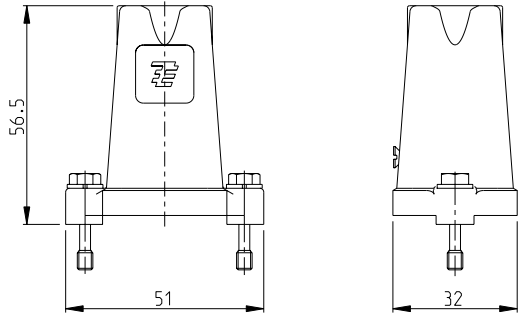
3

2

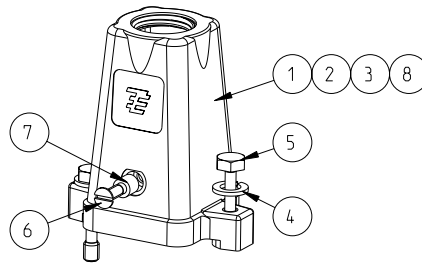
1

THIS DRAWING IS UNPUBLISHED. RELEASED FOR PUBLICATION 2006
COPYRIGHT 2006 BY TYCO ELECTRONICS CORPORATION. ALL RIGHTS RESERVED.

LOC	DIST	REVISIONS					
P	LTR	DESCRIPTION	DATE	DWN	APVD		
A3		ECR-09-023155	22OCT2009	VG	AR		
A4		ECR-10-009092	24MAR2010	RO	BR		



PN 0-1 AS SHOWN



Notes

- SUITABLE HOUSINGS: SERIES HIP, SIZE 1 CUSTOMER DRAWING 1102603, 1102602
- STANDARDS: DIN EN 61984, DIN EN 60664-1
- TOOL: SLOTTED SCREW DRIVER 4.0x0.8 HEXAGON SCREW DRIVER 7mm
- VARNISH ON INSIDE AREA NOT NECESSARY
- PACKAGING: 10 SETS IN A CARTON, PRE-MOUNTED

0-1106408-4	HIP-K.3/4.ST-N
0-1106408-3	HIP-K.3/4.STO.1.M20.G
0-1106408-2	HIP-K.3/4.STO.1.M16.G
0-1106408-1	HIP.3/4.STO.1.M16.G
PART NO.	ORDERING TEXT

1	-	-	-	CONNECTOR HOUSING	-	ALU ALLOY	BLACK	SERIES HIP-K.SIZE 1, W/O LOGO AND THREAD	8	
1	1	1	1	HOSE SECTION	-	FKM	BLACK	SERIES HIP. Ø3x1x4.5	7	
1	1	1	1	SCREW, SLOTTED COUNTERS. FLAT HEAD	-	STAINL. STEEL	BLANK	M3x8 DIN EN ISO 2009	6	
2	2	2	2	SCREW, HEXAGON BOLT	-	STAINL. STEEL	BLANK	M4X22 DIN EN ISO 7964, REDUCED SHUNK	5	
2	2	2	2	WASHER, PLAIN	-	STAINL. STEEL	BLANK	A4, DIN EN ISO 7989, 200HV	4	
-	1	-	-	CONNECTOR HOUSING	M20	ALU ALLOY	BLACK	SERIES HIP-K	3	
-	-	1	-	CONNECTOR HOUSING	M16	ALU ALLOY	BLACK	SERIES HIP-K	2	
-	-	-	1	CONNECTOR HOUSING	M16	ALU ALLOY	GREY	SERIES HIP	1	
0-4	0-3	0-2	0-1	PN/QTY	DESCRIPTION	Dim.	MATERIAL	COLOR/SURFACE	NOTE	ITEM

PARTS LIST (PER ONE UNIT)

<small>THIS DRAWING IS A CONTROLLED DOCUMENT FOR TYCO ELECTRONICS CORPORATION. IT IS SUBJECT TO CHANGE AND THE CONTROLLING ENGINEERING ORGANIZATION SHOULD BE CONTACTED FOR THE LATEST REVISION.</small>		DWN V.GLUMM 13AUG2009 CHK H.Braun 13AUG2009 APVD T.Schnurpfel 13AUG2009	tyco Electronics AMP GmbH 53757 Sankt Augustin (Germany)
DIMENSIONS: mm 	TOLERANCES UNLESS OTHERWISE SPECIFIED: 0 PLC ± 1 PLC ± 2 PLC ± 3 PLC ± 4 PLC ± ANGLES ±0°	NAME: CONNECTOR HOUSING ASS'Y. TOP ENTRY SERIES HIP, SIZE 1, M16 / M20 METRIC PRODUCT SPEC: - APPLICATION SPEC: - WEIGHT: -	SIZE: A3 CAGE CODE: 00779 DRAWING NO: C-1106408 RESTRICTED TO: -
MATERIAL: -	FINISH: -	CUSTOMER DRAWING	SCALE: 1:1 SHEET 1 OF 1 REV: A4

AMP 1470-19 REV 31MAR2000

Pro/ENGINEER DRAWING