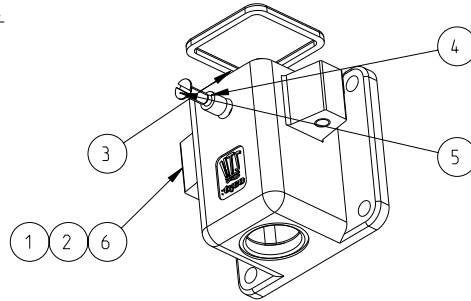
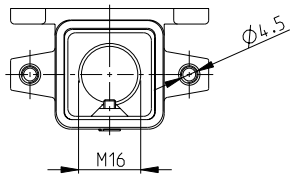
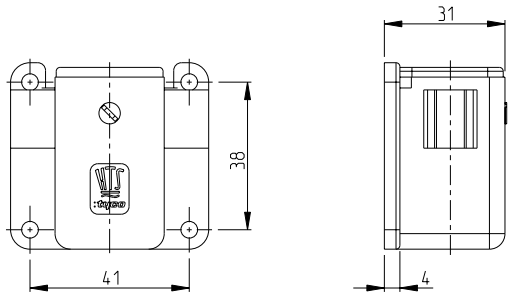


THIS DRAWING IS UNPUBLISHED. RELEASED FOR PUBLICATION 2009
 © COPYRIGHT 2009 BY TYCO ELECTRONICS CORPORATION. ALL RIGHTS RESERVED.

| LOC | DIST | REVISIONS | | | | |
|-----|------|---------------|-----------|-----|------|--|
| P | LTR | DESCRIPTION | DATE | DNW | APVD | |
| A2 | | ECR-09-023155 | 22OCT2009 | VG | AR | |
| A3 | | ECR-10-009777 | 27MAY2010 | SR | AR | |
| | | | | | | |
| | | | | | | |



Notes

- SUITABLE HOUSINGS: SERIES HIP, SIZE 1
CUSTOMER DRAWING 1102600 1106408, 1106200
- STANDARDS:
DIN EN 61984, DIN EN 60664-1
- TOOL:
SLOTTED SCREW DRIVER 4.0x0.8
- VARNISH ON INSIDE AREA NOT NECESSARY
- PACKAGING:
10 SETS IN A CARTON, PRE-MOUNTED

| | |
|-------------|----------------------|
| 0-1106407-3 | HIP-K.3/4.SG-N |
| 0-1106407-2 | HIP-K.3/4.SG.1.M16.G |
| 0-1106407-1 | HIP.3/4.SG.1.M16.G |
| PART NO. | ORDERING TEXT |

| 1 | | | | | | | |
|-----|--------|-----|------------------------------------|---------------|---------------|---------------------------|------|
| 1 | 1 | 1 | ANGLED BULKHEAD HOUSING | ALU | BLACK | WITHOUT LOGO & DRILLING | 6 |
| 1 | 1 | 1 | SCREW, SLOTTED COUNTERS. FLAT HEAD | STAINL. STEEL | BLANK | M3x8 DIN EN ISO 2009 | 5 |
| 1 | 1 | 1 | HOSE SECTION | FKM | BLACK | SERIES EMV / HIP Ø3x1x4.5 | 4 |
| 1 | 1 | 1 | PROFILE SEAL | FKM | BLACK | SERIES EMV / HIP | 3 |
| 1 | 1 | - | ANGLED BULKHEAD HOUSING | ALU | BLACK | SERIES HIP-K | 2 |
| | | - | ANGLED BULKHEAD HOUSING | ALU | GREY | SERIES HIP | 1 |
| 0-3 | 0-2 | 0-1 | | | | | |
| | PN/QTY | | DESCRIPTION | MATERIAL | COLOR/SURFACE | NOTE | ITEM |

PARTS LIST (PER ONE UNIT)

| | | | |
|---|--|---|---|
| <small>THIS DRAWING IS A CONTROLLED DOCUMENT FOR TYCO ELECTRONICS CORPORATION IT IS SUBJECT TO CHANGE AND THE CONTROLLING ENGINEERING ORGANIZATION SHOULD BE CONTACTED FOR THE LATEST REVISION.</small> | | DWN V. GLUMM 25AUG2009 CHK H. Braun 25AUG2009 APVD T. Schnurpfel 25AUG2009 | Tyco Electronics AMP GmbH 64625 Bensheim (Germany) |
| DIMENSIONS: mm | TOLERANCES UNLESS OTHERWISE SPECIFIED: 0 PLC ± 1 PLC ± 2 PLC ± 3 PLC ± 4 PLC ± ANGLES ±1° MATERIAL - FINISH - | NAME ANGLED BULKHEAD HOUSING ASS'Y SIDE ENTRY, SERIES HIP, SIZE 1 PRODUCT SPEC - APPLICATION SPEC - WEIGHT - | SIZE A3 CAGE CODE 00779 DRAWING NO C-1106407 RESTRICTED TO - |
| CUSTOMER DRAWING | | SCALE 1:1 | SHEET 1 OF 1 REV A3 |

AMP 1470-19 REV 31MAR2000

Pro/ENGINEER DRAWING