

4

3

2

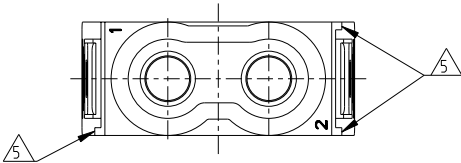
1

THIS DRAWING IS UNPUBLISHED. RELEASED FOR PUBLICATION
COPYRIGHT 2007 BY TYCO ELECTRONICS CORPORATION. ALL INTERNATIONAL RIGHTS RESERVED.

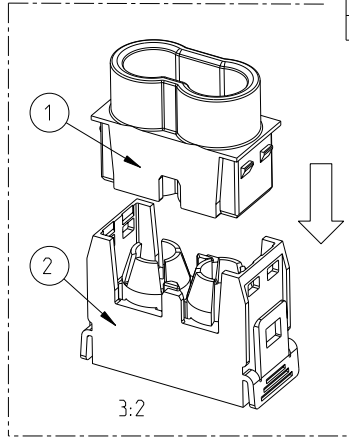
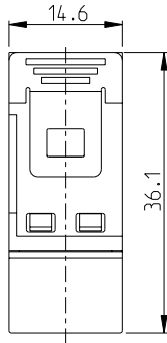
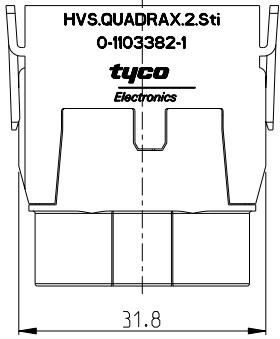
LOC AI DIST -

REVISONS		DATE	DNW	APVD
P	LTR	DESCRIPTION		
B1		ECR-10-021590	18OCT2010	SR OH

CONTACT ARRANGEMENT:
VIEW FROM CONNECTING SIDE

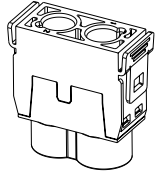


HVS.QUADRAX.2.Sti
0-1103382-1
tyco
Electronics



NOTES:

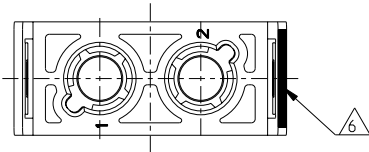
- SUITABLE CRIMP CONTACTS: SERIES QUADRAX SIZE 8
CUSTOMER DRAWING: 1445693-1
REAR RELEASE / REMOVAL DESIGN
- SUITABLE MODULE FIXING FRAME :
SERIES HVS SIZE 3 TO 8
CUSTOMER DRAWING: 1103250
- SUITABLE INSERTION - EXTRACTION TOOL:
CUSTOMER DRAWING: 1738894-1
- STANDARDS:
DIN EN 61984; DIN EN 60664-1
- POLARIZATION RIBS
- MARKING OF POLARIZATION ACCORDING TO
MARKING OF MODULE FRAME
- PACKAGING QTY: 10 PCS IN A BOX



(B1)

QTY.	DESCRIPTION	MATERIAL	COLOR	SURFACE	ITEM
1	REAR HOUSING FOR PIN HEADER	PC-GF20	LIGHT GREY	VDI 3400-24	2
1	FRONT HOUSING FOR PIN HEADER	PC-GF20	LIGHT GREY	VDI 3400-24	1

CONTACT ARRANGEMENT:
VIEW FROM TERMINATION SIDE



PN 0-1 HVS-QUADRAX.2.Sti

<small>THIS DRAWING IS A CONTROLLED DOCUMENT FOR TYCO ELECTRONICS CORPORATION IT IS SUBJECT TO CHANGE AND THE CONTROLLING ENGINEERING ORGANIZATION SHOULD BE CONTACTED FOR THE LATEST REVISION.</small>		DWN P.BENNUR 12-MAR-07 CHK S.KUMAR 12-MAR-07 APVD T.SCHNURPFIL 12-MAR-07	Tyco Electronics Tyco Electronics AMP GmbH 53757 Sankt Augustin, Germany
DIMENSIONS: mm 	TOLERANCES UNLESS OTHERWISE SPECIFIED: 0. PLC ±0.15 1. PLC ±0.15 2. PLC ±0.15 3. PLC ±0.15 4. P.C.C. ANGLES ±1°	NAME QUADRAX MODULE INSERT, PIN HEADER HVS-Quadrax.2.Sti PRODUCT SPEC 108-2131 APPLICATION SPEC 114-74085 WEIGHT 13.937	SIZE A3 CAGE CODE 00779 DRAWING NO C-1103382 RESTRICTED TO -
MATERIAL SEE TABLE	FINISH SEE TABLE	SCALE 2:1	SHEET 1 OF 1 REV B1

1470-19 (2/09)

Pro/ENGINEER DRAWING