

4

3

2

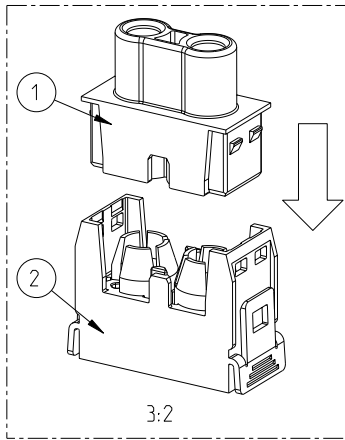
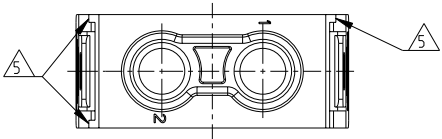
1

THIS DRAWING IS UNPUBLISHED. RELEASED FOR PUBLICATION
COPYRIGHT 19 BY TYCO ELECTRONICS CORPORATION. ALL RIGHTS RESERVED.

LOC AI DIST -

REVISONS		DESCRIPTION	DATE	DRN	APVD
P	LTR				
B1		ECR-10-021590	24SEP2010	SR	OH

CONTACT ARRANGEMENT:
VIEW FROM CONNECTING SIDE

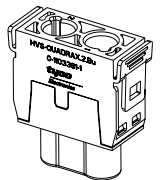


NOTES:

- 1 SUITABLE CRIMP CONTACTS: SERIES QUADRAX SIZE 8
CUSTOMER DRAWING: 1445693-1
REAR RELEASE / REMOVAL DESIGN
- 2 SUITABLE MODULE FIXING FRAME :
SERIES HVS SIZE 3 TO 8
CUSTOMER DRAWING: 1103250
- 3 SUITABLE INSERTION - EXTRACTION TOOL:
CUSTOMER DRAWING: 1738894-1
- 4 STANDARDS:
DIN EN 61984; DIN EN 60664-1
- 5 POLARIZATION RIBS
- 6 MARKING OF POLARIZATION ACCORDING TO
MARKING OF MODULE FRAME
- 7 PACKAGING QTY: 10 PCS IN A BOX

PN: 0-1 AS SHOWN
ORDERING TEXT: HVS-Quadrax.2.Bu

(1:1)

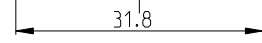
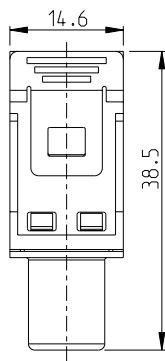


B1

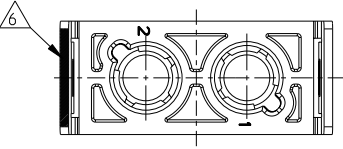
1	REAR HOUSING FOR RECEPTACLE	PC-GF20		LIGHT GREY	2
1	FRONT HOUSING FOR RECEPTACLE	PC-GF20		LIGHT GREY	1
QTY	DESCRIPTION	MATERIAL	SURFACE	COLOR	ITEM

HVS-Quadrax.2.Bu

HVS-QUADRAX.2.Bu
0-1103381-1
tyco
Electronics



CONTACT ARRANGEMENT:
VIEW FROM TERMINATION SIDE



<small>THIS DRAWING IS A CONTROLLED DOCUMENT FOR TYCO ELECTRONICS CORPORATION IT IS SUBJECT TO CHANGE AND THE CONTROLLING ENGINEERING ORGANIZATION SHOULD BE CONTACTED FOR THE LATEST REVISION.</small>		DWN P.BENNUR 12-MAR-07 CHR S.KUMAR 12-MAR-07 APVD T.SCHNURPFEL 12-MAR-07	Tyco Electronics AMP GmbH 53757 Sankt Augustin, Germany
DIMENSIONS: mm 	TOLERANCES UNLESS OTHERWISE SPECIFIED: 0 PLC ±0.15 1 PLC ±0.2 2 PLC ±0.25 3 PLC ±0.3 4 PLC ±0.4 ANGLES ±1°	NAME QUADRAX MODULE INSERT, RECEPTACLE HVS-Quadrax.2.Bu PRODUCT SPEC 108-2131 APPLICATION SPEC 114-74085 WEIGHT 13.543	SIZE A3 CAGE CODE 00779 DRAWING NO C=1103381 RESTRICTED TO -
MATERIAL SEE TABLE	FINISH SEE TABLE	SCALE 2:1	SHEET 1 OF 1 REV B1