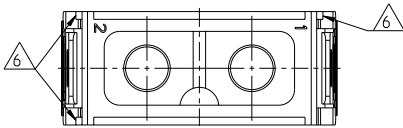


THIS DRAWING IS UNPUBLISHED. RELEASED FOR PUBLICATION 2000
 © COPYRIGHT 2000 BY TYCO ELECTRONICS CORPORATION. ALL RIGHTS RESERVED.

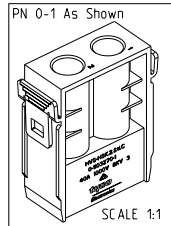
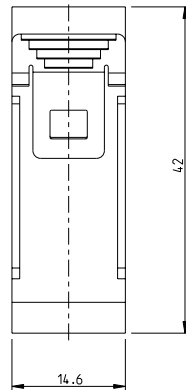
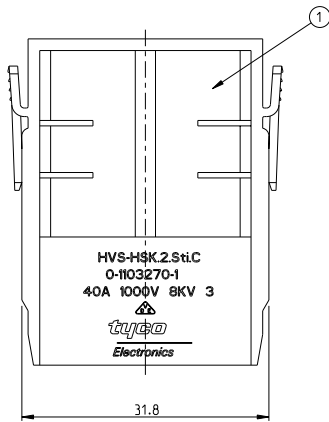
LOC	DIST	REVISIONS			
P	LTR	DESCRIPTION	DATE	DWN	APVD
C1		ECR-10-023156	11NOV2010	SR	OH

PN 0-1 As Shown Contact arrangement view from connecting side

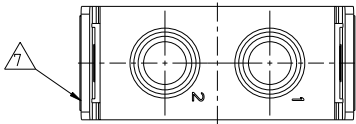


NOTES

- 1 SUITABLE CRIMP CONTACTS: SERIES HSK
 CUSTOMER DRAWING: 1108757
 OUTER DIMENSIONS OF INSULATION: MAX. Ø8mm
- 2 SUITABLE MODULE FIXING FRAME: SERIES HVS SIZE 3 TO 8
 CUSTOMER DRAWING: 1103250
- 3 SUITABLE INSERTION TOOL:
 CUSTOMER DRAWING: 1102855
- 4 SUITABLE EXTRACTION TOOL:
 CUSTOMER DRAWING: 1102855
- 5 STANDARDS:
 DIN EN 61984; DIN EN 60664-1
- 6 POLARIZATION RIPS
- 7 MARKING OF POLARIZATION ACCORDING TO MARKING OF MODULE FRAME
- 8 PACKAGING:
 10 PIECES IN A CARTON



Contact arrangement view from termination side



1	MALE INSERT	PC-GF20	LIGHT GREY	1
QTY	DESCRIPTION	MATERIAL	COLOR	ITEM NO
	PN 0-1 / HVS-HSK.2.Sti.C			

THIS DRAWING IS A CONTROLLED DOCUMENT FOR TYCO ELECTRONICS CORPORATION. IT IS SUBJECT TO CHANGE AND THE CONTROLLING ENGINEERING ORGANIZATION SHOULD BE CONTACTED FOR THE LATEST REVISION.		OWN 20.02.2006
DIMENSIONS: mm		CHK SCHNEIDER 20.02.2006
TOLERANCES UNLESS OTHERWISE SPECIFIED:		APVD A.GAST 20.02.2006
0 DIM ±0.100		PRODUCT SPEC T.SCHNURPFEL
1 PLC ±		APPLICATION SPEC 108-74081
2 PLC ±		WEIGHT 114-74083
3 PLC ±		
4 PLC ±		
ANGLES		
FINISH		
MATERIAL		

Tyco Electronics Tyco Electronics AMP GmbH 53757 Sankt Augustin, Germany			
NAME MALE INSERT HVS-HSK.2.STI.C			
SIZE A3	CAGE CODE 00779	DRAWING NO C-1103270	RESTRICTED TO
CUSTOMER DRAWING		SCALE 2:1	SHEET 1 OF 1 REV C1

AMP 1470-19 REV 31MAR2000

Pro/ENGINEER DRAWING