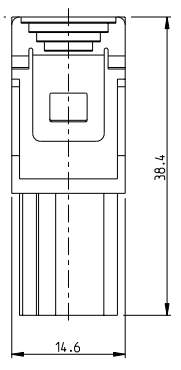
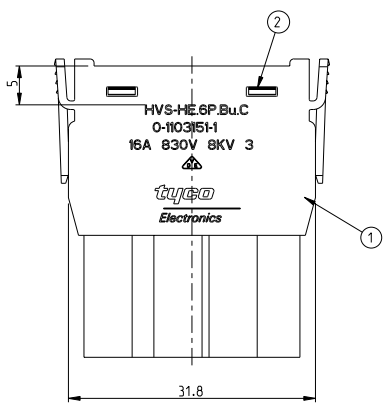
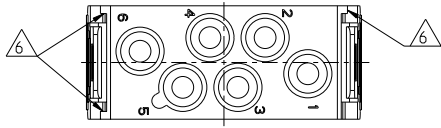


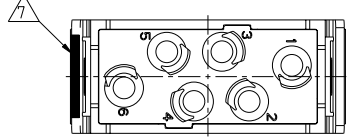
THIS DRAWING IS UNPUBLISHED. RELEASED FOR PUBLICATION 1997
 BY TYCO ELECTRONICS CORPORATION. ALL RIGHTS RESERVED.
 COPYRIGHT 1997

LOC	DIST	REVISIONS			
P	LTR	DESCRIPTION	DATE	DNW	APVD
B1		ECR-10-019610	21SEP2010	SR	OH

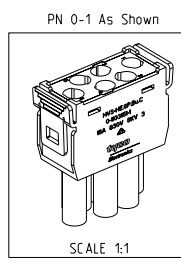
PN 0-1 As Shown
 Contact arrangement view from connecting side



Contact arrangement view from termination side



- NOTES
- SUITABLE CRIMP CONTACTS: SERIES HE/HA
 CUSTOMER DRAWING: 1105101
 OUTER DIMENSIONS OF INSULATION: MAX. Ø4.9mm
 - SUITABLE MODULE FIXING FRAME: SERIES HVS SIZE 3 TO 8
 CUSTOMER DRAWING: 1103250
 - SUITABLE INSERTION TOOL:
 CUSTOMER DRAWING: 0-1102855-6
 - SUITABLE EXTRACTION TOOL:
 CUSTOMER DRAWING: 0-1102855-7
 - STANDARDS:
 DIN EN 61984; DIN EN 60664-1
 - POLARIZATION RIPS
 - MARKING OF POLARIZATION ACCORDING TO MARKING OF MODULE FRAME
 - PACKAGING:
 10 SETS IN A CARTON. PRE-MOUNTED



QTY	DESCRIPTION	MATERIAL	COLOR	ITEM
1	FEMALE INSERT	PC-GF20	LIGHT GREY	1
1	COVER FOR FEMALE INSERT	PC-GF20	LIGHT GREY	2

HVS-HE.6P.Bu.C		Tyco Electronics		Tyco Electronics AMP GmbH 53757 Sankt Augustin, Germany	
OWN	12.10.2005	M.SCHWEIGER		NAME	
CHK	13.10.2005	T.SCHNURPFIL		FEMALE INSERT	
APVD	13.10.2005	T.SCHNURPFIL		HVS-HE.6P.BU.C	
PRODUCT SPEC	108-74054	SIZE	CAGE CODE	DRAWING NO	RESTRICTED TO
APPLICATION SPEC	114-74073	A3	00779	C-1103151	
WEIGHT		CUSTOMER DRAWING	SCALE	SHEET	REV
			2:1	1 of 1	B1

DIMENSIONS:		TOLERANCES UNLESS OTHERWISE SPECIFIED:	
mm		0 PLC	±
		1 PLC	±
		2 PLC	±
		3 PLC	±
		4 PLC	±
		ANGLES	±
MATERIAL		FINISH	