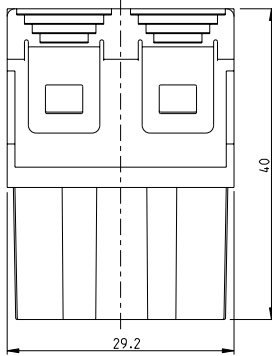
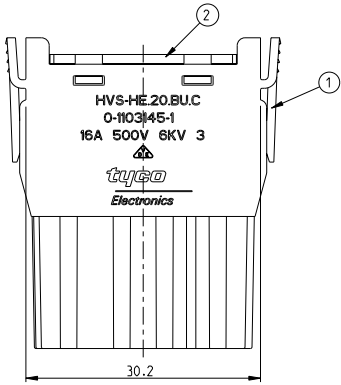
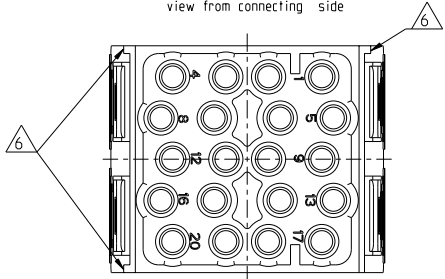


THIS DRAWING IS UNPUBLISHED. RELEASED FOR PUBLICATION 2000
 © COPYRIGHT 2000 BY TYCO ELECTRONICS CORPORATION. ALL INTERNATIONAL RIGHTS RESERVED.

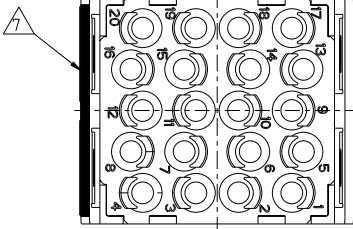
LOC	DIST	REVISIONS					
		P	LTR	DESCRIPTION	DATE	DNW	APVD
A1	-	A5		RELEASED AS PER ECR-09-010234	6-May-09	CJ	TS
		B1		ECR-10-015645	27 JUL 2010	SR	OH

PN 0-1 As Shown

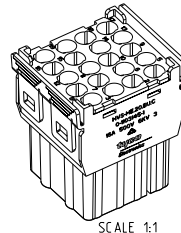
Contact arrangement view from connecting side



Contact arrangement view from termination side



PN 0-1 As Shown



SCALE 1:1

- NOTES
- SUITABLE CRIMP CONTACTS: SERIES HE/HA
CUSTOMER DRAWING: 1105101
OUTER DIMENSIONS OF INSULATION: MAX. Ø4.9mm
 - SUITABLE MODULE FIXING FRAME: SERIES HVS SIZE 3 TO 8
CUSTOMER DRAWING: 1103250
 - SUITABLE INSERTION TOOL:
CUSTOMER DRAWING: 0-1102855-6
 - SUITABLE EXTRACTION TOOL:
CUSTOMER DRAWING: 0-1102855-7
 - STANDARDS:
DIN EN 61984; DIN EN 60664-1
 - POLARIZATION RIPS
 - MARKING OF POLARIZATION ACCORDING TO MARKING OF MODULE FRAME
 - PACKAGING:
10 SETS IN A CARTON. PRE-MOUNTED

QTY	DESCRIPTION	MATERIAL	COLOR	ITEM
1	FEMALE INSERT	PC-GF20	LIGHT GREY	2
1	COVER	PC-GF20	LIGHT GREY	1
	HVS-HE.20.Bu.C			

DIMENSIONS: mm 		TOLERANCES UNLESS OTHERWISE SPECIFIED: 0 DIM ±0.10 mm 1 PLC ±0.15 mm 2 PLC ±0.20 mm 3 PLC ±0.25 mm 4 P.C.C. ANGLES ±0.10 mm		DWN 31.08.2008 M.SCHWEIGER CHK T.SCHNURPFIL APVD 01.09.2008 PRODUCT SPEC 108-74073 APPLICATION SPEC 114-74073 WEIGHT - CUSTOMER DRAWING	NAME Tyco Electronics AMP GmbH 53757 Sankt Augustin, Germany FEMALE INSERT HVS-HE.20.BU.C SIZE CAGE CODE DRAWING NO RESTRICTED TO A3 00779 C=1103145 -
MATERIAL FINISH		SCALE 2:1 SHEET 1 of 1 REV B1			