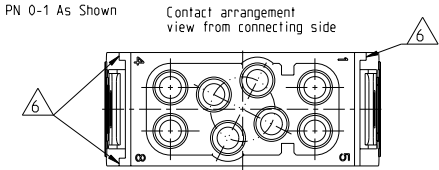
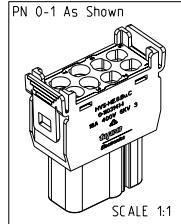
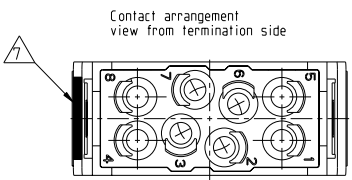
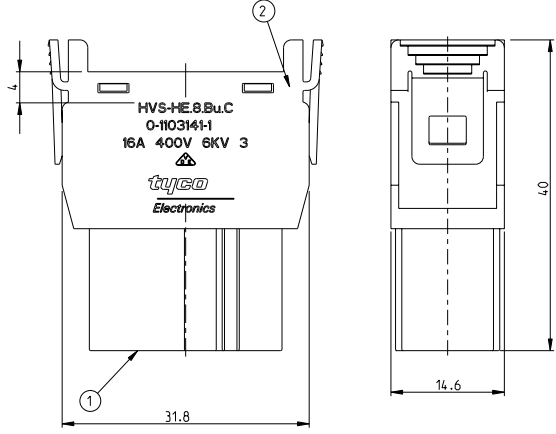


THIS DRAWING IS UNPUBLISHED. RELEASED FOR PUBLICATION 2000
 © COPYRIGHT 2000 BY TYCO ELECTRONICS CORPORATION. ALL RIGHTS RESERVED.

LOC	DIST	REVISIONS			
P	LTR	DESCRIPTION	DATE	DWN	APVD
B1		ECR-10-022648	02NOV2010	SR	QH



- NOTES
- SUITABLE CRIMP CONTACTS: SERIES HE/HA
 CUSTOMER DRAWING: 1105101
 OUTER DIMENSIONS OF INSULATION: MAX. Ø.9mm
 - SUITABLE MODULE FIXING FRAME: SERIES HVS SIZE 3 TO 8
 CUSTOMER DRAWING: 1103250
 - SUITABLE INSERTION TOOL:
 CUSTOMER DRAWING: 0-1102855-6
 - SUITABLE EXTRACTION TOOL:
 CUSTOMER DRAWING: 0-1102855-7
 - STANDARDS:
 DIN EN 61984; DIN EN 60664-1
 - POLARIZATION RIPS
 - MARKING OF POLARIZATION ACCORDING TO MARKING OF MODULE FRAME
 - PACKAGING:
 10 SETS IN A CARTON. PRE-MOUNTED



QTY	DESCRIPTION	MATERIAL	COLOR	ITEM NO
1	FEMALE INSERT HVS-HE.8	PC-GF20	LIGHT GREY	1
1	COVER FOR FEMALE INSERT	PC-GF20	LIGHT GREY	2

PN 0-1 / HVS-HE.8.BU.C

THIS DRAWING IS A CONTROLLED DOCUMENT FOR TYCO ELECTRONICS CORPORATION. IT IS SUBJECT TO CHANGE AND THE CONTROLLING ENGINEERING ORGANIZATION SHOULD BE CONTACTED FOR THE LATEST REVISION.

DIMENSIONS: mm	TOLERANCES UNLESS OTHERWISE SPECIFIED: 0 PL ± 1 PLC ± 2 PLC ± 3 PLC ± 4 PLC ± ANGLES ±	DWN 24.08.2005 M.SCHWEIGER CHK 23.08.2005 T.SCHNURPFEL APVD	NAME Tyco Electronics Tyco Electronics AMP GmbH 53757 Sankt Augustin, Germany
MATERIAL	FINISH	PRODUCT SPEC 108-74073 APPLICATION SPEC 114-74073 WEIGHT	RESTRICTED TO
9	10	CUSTOMER DRAWING	SCALE 2:1 SHEET 1 OF 1 REV B1