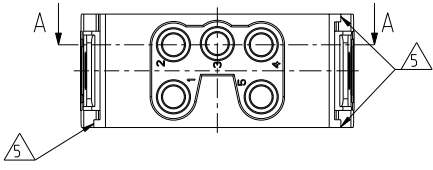


THIS DRAWING IS UNPUBLISHED. RELEASED FOR PUBLICATION 2000  
 © COPYRIGHT 2000 BY TYCO ELECTRONICS CORPORATION. ALL RIGHTS RESERVED.

LOC	DIST	REVISIONS			
P	LTR	DESCRIPTION	DATE	DWN	APVD
B3		ECR - 10 - 001843	09FEB2010	GW	OH
C1		ECR-10-019610	21SEP2010	SR	OH

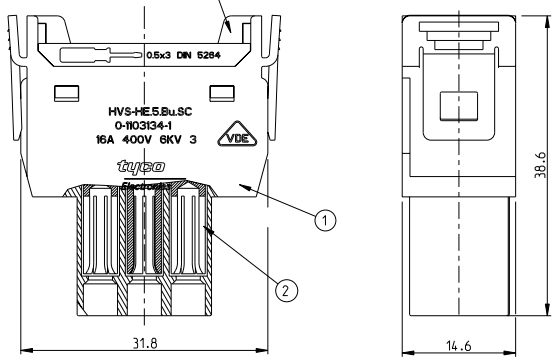
PN 0-1 As Shown

Contact arrangement  
view from connecting side

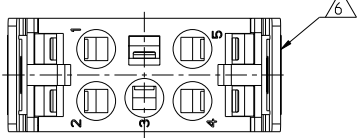


SECTION A-A

Lateral Print

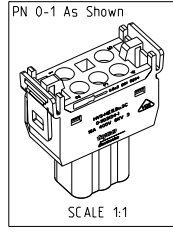


Contact arrangement  
view from termination side



NOTES

- CONTACT: 1 TO 5  
OUTER DIMENSIONS OF INSULATION: MAX. Ø4.9mm
- SUITABLE MODULE FIXING FRAME: SERIES HVS SIZE 3 TO 8  
CUSTOMER DRAWING: 1103250
- SUITABLE INSERTION AND EXTRACTION TOOL:  
SCREW DRIVER 0.3x5 DIN5264
- STANDARDS:  
DIN EN 61984; DIN EN 60664-1
- POLARIZATION RIBS
- MARKING OF POLARIZATION ACCORDING TO MARKING OF  
MODULE FRAME
- PACKAGING:  
10 SETS IN A CARTON. PRE-MOUNTED
- AUTHORIZATION VDE



QTY	DESCRIPTION	MATERIAL	SURFACE	COLOR	NOTE	ITEM
1	FEMALE INSERT HVS-HE.5	PC-GF20		LIGHT GREY		1
5	SOCKET CONTACT					2
1	COVER HVS-HE.5	PC-GF20		LIGHT GREY		3

DIMENSIONS: mm 		TOLERANCES UNLESS OTHERWISE SPECIFIED: 0 DIM ± 0.15 1 PLC ± 0.15 2 PLC ± 0.15 3 PLC ± 0.15 4 PLC ± 0.15 AMPERES ±		DOWN M.SCHWEIGER 31.05.2005 CHK T.SCHNURPFIL 31.05.2005 APVD T.SCHNURPFIL 31.05.2005 PRODUCT SPEC 108-74071 APPLICATION SPEC 114-74073 WEIGHT CUSTOMER DRAWING		Tyco Electronics Tyco Electronics AMP GmbH 53757 Sankt Augustin, Germany NAME FEMALE INSERT ASSY HVS-HE.5.BU.SC SIZE A3 CAGE CODE 00779 DRAWING NO C-1103134 RESTRICTED TO	
MATERIAL		FINISH		SCALE 2:1		SHEET 1 OF 1 REV C1	

AMP 1470-19 REV 31MAR2000

Pro/ENGINEER DRAWING