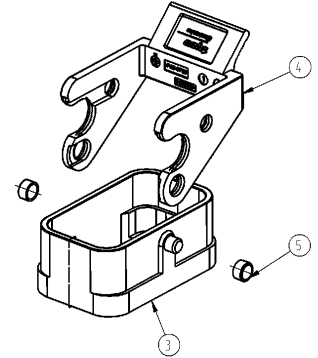
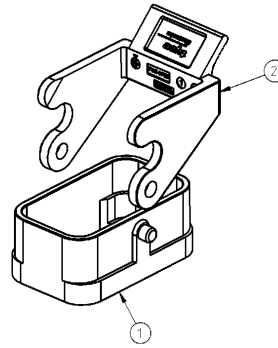
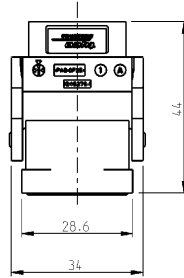
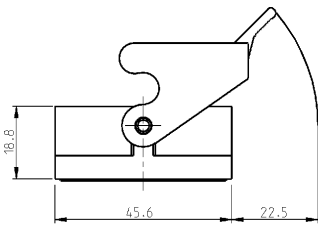


THIS DRAWING IS UNPUBLISHED. RELEASED FOR PUBLICATION
 © COPYRIGHT 2000 BY TYCO ELECTRONICS CORPORATION. ALL RIGHTS RESERVED.

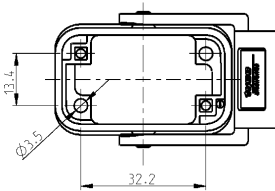
| LOC | DIST | REVISIONS | | | |
|-----|------|-------------------------------|-----------|-----|------|
| P | LTR | DESCRIPTION | DATE | BY | APVD |
| A1 | | | | | |
| B2 | | RELEASED AS PER ECR-07-013664 | 08-Jun-07 | NSJ | ST |



PN 0-1
AS SHOWN

PN 0-2
AS SHOWN

NOTES
 1 PACKAGING
 PACKAGING QUANTITY: 5 PIECES



| QTY. | QTY. | DESCRIPTION | MATERIAL | COLOR | NOTE | ITEM |
|------|------|--------------------------------------|------------|--------|---------------|------|
| 2 | - | BUSH | BRASS | - | - | 5 |
| 1 | - | SIDE CLIP REINFORCED | - | - | - | 4 |
| 1 | - | SURFACE MOUNTED HOUSING BOTTOM ENTRY | PA6.6-GF25 | SILVER | EMV-SHIELDING | 3 |
| - | 1 | SIDE CLIP | PA6.6-GF25 | BLACK | | 2 |
| - | 1 | SURFACE MOUNTED HOUSING BOTTOM ENTRY | PA6.6-GF25 | BLACK | | 1 |

HG-Q AG-LB
 HG-EMV-Q.AG-LB

| | | | | | | |
|-----------------------|--|--|--|---|--|--|
| DIMENSIONS: mm | | TOLERANCES UNLESS OTHERWISE SPECIFIED: 0 PLC ± 1 PLC ± 2 PLC ± 3 PLC ± 4 PLC ± HOLE'S FINISH | | DWN Schneider 18.11.04 CHK Schneider 18.11.04 APVD T. Schmauch 18.11.04 | NAME ASSY SURFACE MOUNTED HOUSING SERIES HG-Q | Tyco Electronics AMP GmbH D - 53819, Neunkirchen, Germany |
| MATERIAL 1 | | FINISH 3 | | PRODUCT SPEC 108-74XXX APPLICATION SPEC 114-74XXX | SIZE CAGE CODE DRAWING NO A3 00779 C-1103072 | RESTRICTED TO CUSTOMER DRAWING |