

4

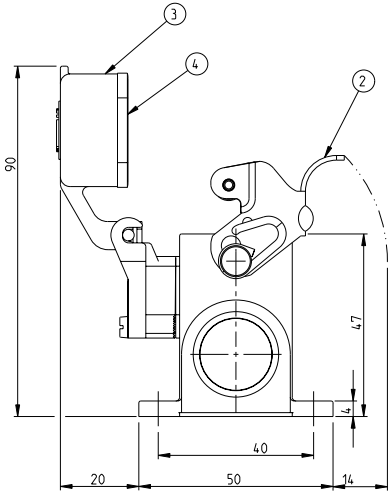
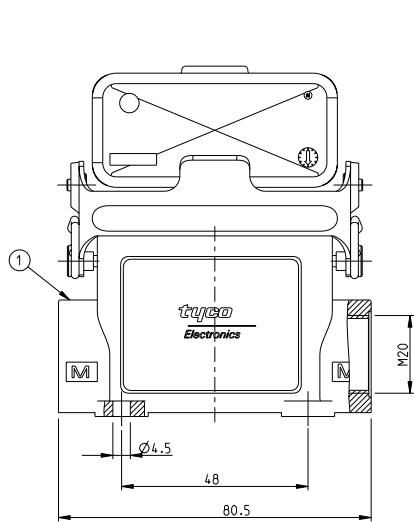
3

2

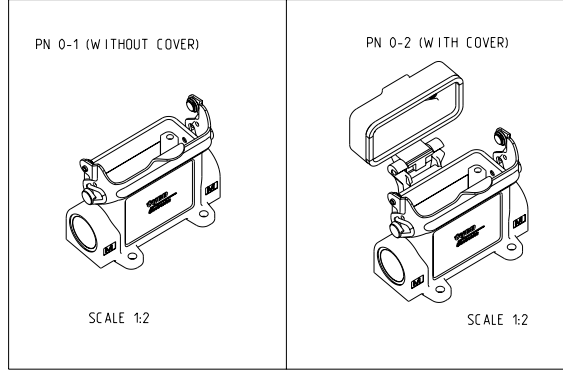
1

THIS DRAWING IS UNPUBLISHED. RELEASED FOR PUBLICATION 2000
 © COPYRIGHT 2000 BY TYCO ELECTRONICS CORPORATION. ALL RIGHTS RESERVED.

LOC	DIST	REVISIONS			
P	LTR	DESCRIPTION	DATE	DWN	APVD
B3		ECR-09-015227	17.JUL.2009	AR	ST



- NOTES:
- 1 MATERIAL: SEE TABLE
 - 2 SURFACE: SEE TABLE
 - 3 VARNISH ON THE INSIDE NOT NECESSARY
 - 4 PACKAGING QUANTITY: 5 PIECES PER BOX



PN 0-2 AS SHOWN

QTY	DESCRIPTION	MATERIAL	SURFACE/COLOR	ITEM NO.	REMARKS
1	PROFILE SEAL	NEOPRENE	BLACK	4	
1	COVER	ALUMINIUM	GREY	3	
1	CLIP	STEEL	ZINC PLATED	2	
1	SURFACE MOUNTED HOUSING	ALUMINIUM	GREY	1	

ORDERING TEXT
 HA10.SG-LB.1.M20.Z

DIMENSIONS: mm		TOLERANCES UNLESS OTHERWISE SPECIFIED: 0 PLC ± 1 PLC ± 2 PLC ± 3 PLC ± 4 PLC ± ANGLES ±		DWN R.SRINIVAS 3/3/2006 CHK R.SRINIVAS 3/3/2006 APVD T.SCHNURPFIL 3/3/2006	Tyco Electronics AMP GmbH 53757 Sankt Augustin, Germany
				NAME SURFACE MOUNTED HOUSING SERIES HA10, SIDE ENTRY, METRIC	RESTRICTED TO
MATERIAL 1		FINISH 2		PRODUCT SPEC - APPLICATION SPEC - WEIGHT -	SIZE A3 CAGE CODE 00779 DRAWING NO C=1103057
CUSTOMER DRAWING				SCALE 1:1	SHEET 1 OF 1 REV B3