

4

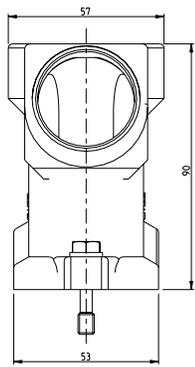
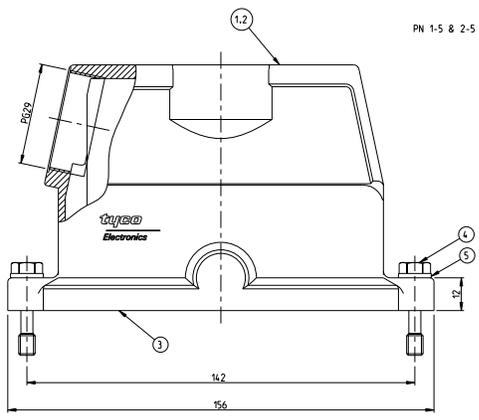
3

2

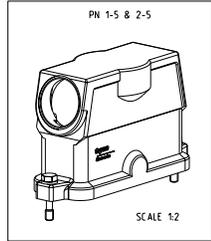
1

THIS DRAWING IS UNPUBLISHED. RELEASED FOR PUBLICATION BY TYCO ELECTRONICS CORPORATION. ALL RIGHTS RESERVED. .000

LOC	DIST	REV	DESCRIPTION	DATE	BY	APP'D
A1	-	P	LYR			
		BZ	Released as per ECR-07-030419	17.12.07	SP	TS



- NOTES
- 1 Material: Housing: Aluminium Die-casting Alloy  
Seals: Neoprene
  - 2 Surface: varnish-grey  
Aluminium oxide-  
Varnish: Black
  - 3 Varnish on the inside not necessary
  - 4 Packaging quantity: 5 pieces in a box



QTY	DESCRIPTION	MATERIAL	SURFACE	COLOR	ITEM NO	REMARKS
2	2 Spring washer	Stainless steel	Blank		5	
2	2 Fixing screw	Stainless steel	Blank		4	
1	1 O-Ring BgB	Neoprene	-	Black	3	
1	1 Hood HIP BgB	Aluminium	Aluminium oxide	Black	2	
1	1 Hood HIP BgB	Aluminium	-	Grey	1	
2-5	1-5 DESCRIPTION	MATERIAL	SURFACE	COLOR	ITEM NO	REMARKS
ORDERING TEXT						
HIP-24/64.STS.1.29.G						
HIP-K.24/64.STS.1.29.G						

DIMENSIONS: mm		TO BE CHECKED BY THE CUSTOMER: DIMENSIONS: 1, 2, 3, 4, 5, 6, 7, 8, 9, 10, 11, 12, 13, 14, 15, 16, 17, 18, 19, 20, 21, 22, 23, 24, 25, 26, 27, 28, 29, 30, 31, 32, 33, 34, 35, 36, 37, 38, 39, 40, 41, 42, 43, 44, 45, 46, 47, 48, 49, 50, 51, 52, 53, 54, 55, 56, 57, 58, 59, 60, 61, 62, 63, 64, 65, 66, 67, 68, 69, 70, 71, 72, 73, 74, 75, 76, 77, 78, 79, 80, 81, 82, 83, 84, 85, 86, 87, 88, 89, 90, 91, 92, 93, 94, 95, 96, 97, 98, 99, 100.		DATE: 02.07.99 BY: Schneider CHECKED: Schneider		Tyco Electronics AMP GmbH D-53819 Neunkirchen, Germany	
PRODUCT SPEC: 108-74030 APPLICATION SPEC: 114-74017		WEIGHT: 540 g		SIZE: A2 CASE CODE: 00779 DRAWING NO: 1102660		RESTRICTED TO: -	
MATERIAL: TYPICAL				CUSTOMER DRAWING		SCALE: 1:1 SHEET: 1 of 1 REV: B2	