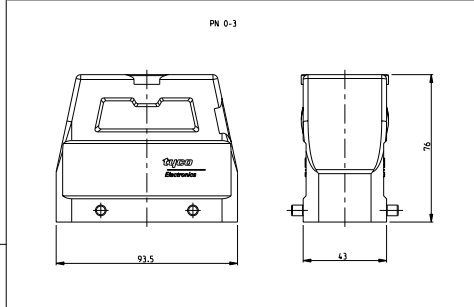
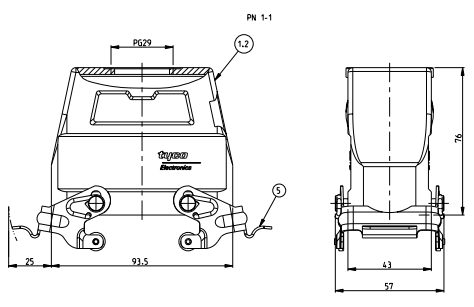
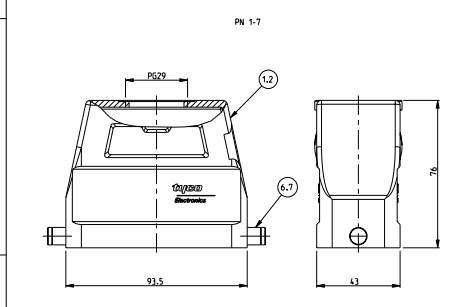
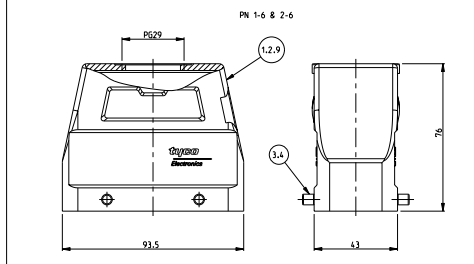
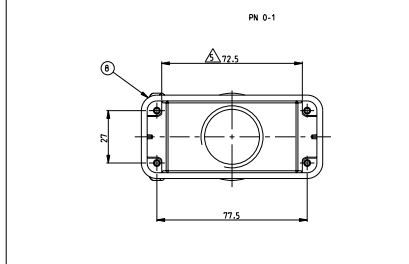
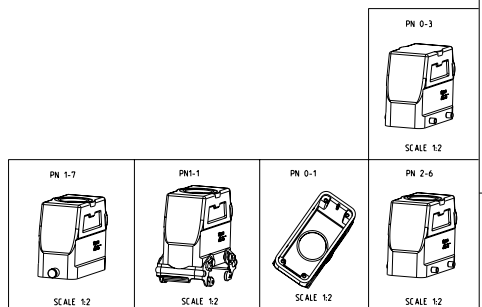


DATE: 08/01/2016
 REVISIONS: 1
 BY: T. L. W.
 CHECKED BY: A. G.
 APPROVED BY: SK



REV	DATE	DESCRIPTION	BY	CHK	APP
1	08-01-2016	Released as per ECR-07-012890	T. L. W.	SK	TS

- NOTES
- Material: Housing: aluminium diecasting alloy
 - Surface: Powder varnish-grey
Varnish black
 - Varnish on the inside not necessarily
 - Packaging quantity: 5 pieces
- △ Valid only for PN 0-1
 Landing of measure 72.5 (20mm Deep) milled off : bothsides



QTY	DESCRIPTION	MATERIAL	SURFACE	COLOR	ITEM NO.	NOTES
1	HD-K Hood	Aluminium	Aluminium oxide	Black	9	With out PG-thread
1	HD-K Hood	Aluminium	Aluminium oxide	Black	8	Landing milled off △
2	LB-Clip bolt	Stainless Steel	Even	-	7	-
2	VS-Locking clip	Steel	Zinc plated	Blue	6	-
4	VS-Clip bolt	Stainless Steel	Even	-	4	-
4	VS-Clip bolt	Steel	Zinc plated	Blue	3	-
1	HD-K Hood	Aluminium	Aluminium oxide	Black	2	-
1	HD Hood	Aluminium	-	Grey	1	-

QTY	DESCRIPTION	MATERIAL	SURFACE	COLOR	ITEM NO.	NOTES
1	HD-K Hood	Aluminium	Aluminium oxide	Black	9	With out PG-thread
1	HD-K Hood	Aluminium	Aluminium oxide	Black	8	Landing milled off △
2	LB-Clip bolt	Stainless Steel	Even	-	7	-
2	VS-Locking clip	Steel	Zinc plated	Blue	6	-
4	VS-Clip bolt	Stainless Steel	Even	-	4	-
4	VS-Clip bolt	Steel	Zinc plated	Blue	3	-
1	HD-K Hood	Aluminium	Aluminium oxide	Black	2	-
1	HD Hood	Aluminium	-	Grey	1	-

HD-K.40.5T

APP: 08/01/2016

DATE: 08/01/2016	TIME: 10:05:00	SCALE: 1:2	PROJECT: HOOD
BY: T. L. W.	CHK: A. G.	APP: SK	DESCRIPTION: HD.40.ST0.1.29.G
MATERIAL: AL		STATE: A	SCALE CODE: 00779
DRAWING NO: 00779		DATE: 08-01-2016	REVISION: 1
CUSTOMER DRAWING		SHEET: 11	TOTAL SHEETS: 11