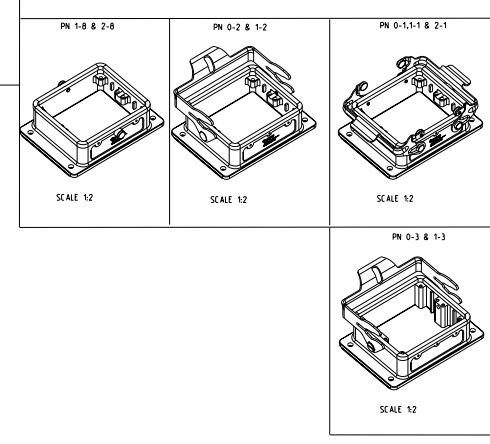


REV	DATE	DESCRIPTION	BY	CHK	APP
AR	27.09.2002	ECR - 001736	EW	ST	
AR	09-02-2013		EW	ST	
AR	09-02-2013		EW	ST	

- NOTES.
- Material:Housing:Aluminum Diecasting Alloy  
Seals: Neoprene
  - Surface:Aluminum oxide - Varnish black - Grey
  - Varnish on the inside not necessary
  - TE Logo removed.
  - Packaging Quantity 3 Pieces in a box



QTY	DESCRIPTION	MATERIAL	SURFACE	COLOR	ITEM NO	NOTES
1	Flange seal	Viton		Grey	17	
1	Profile seal	Viton		Grey	18	
1	Surface mounted housing bottom entry HB	Aluminum		Grey	19	Neutral
1	Flange seal	Rubber		Black	14	
1	Profile seal	Neoprene		Black	13	
2	ZB-Slide spool	Stainless steel		Blue	17	
2	ZB-Slide spool	Steel	Zinc plated	Blue	15	
2	ZB-clip bolt	Stainless steel		Blue	10	
2	ZB-clip bolt	Steel	Zinc plated	Blue	9	
2	HB-clip positioner	Steel	Zinc plated	Blue	6	
1	HB-clip positioner	Steel	Zinc plated	Blue	7	
1	VS-clip positioner	Stainless steel		Blue	8	
4	VS-clip positioner	Steel	Zinc plated	Blue	5	
2	VS-Slide clip	Stainless steel		Blue	4	
2	VS-Slide clip	Steel	Zinc plated	Blue	3	
1	Surface mounted housing bottom entry HB-K	Aluminum	Aluminum oxide	Black	2	
1	Surface mounted housing bottom entry HB	Aluminum		Grey	1	

ORDERING TEXT

HB-32-AG-VS  
 HB-32-AG-VS  
 HB-R-32-AG-VS  
 HB-32-AG-18  
 HB-32-AG-18  
 HB-R-32-AG-7/8R  
 HB-32-AG-18  
 HB-32-AG-18  
 HB-32-AG-18

DATE: 27.09.2002  
 DRAWN BY: [Signature]  
 CHECKED BY: [Signature]  
 APPROVED BY: [Signature]

TECH ELECTRONICS CORPORATION  
 0-51899, Neuchâtel, Germany

Surface mounted housing bottom entry HB-32-AG0

SCALE CODE: 1:2  
 PART NO: 00779 ©=1102352  
 SHEET: 11 OF 11