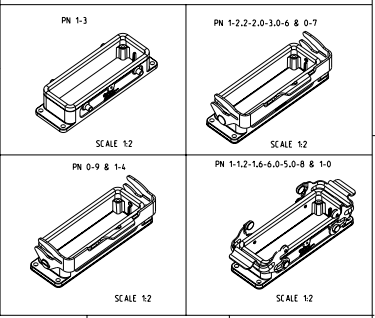


REV	DATE	DESCRIPTION	BY	CHK	APP
01	20.05.1998	ECR - 007736	mpozson	EW	ST

NOTES
 1 Material : Housing : aluminium die casting alloy
 Seals : Neoprene : Viton
 2 Surface : Varnish - Grey
 - Aluminium oxide
 - Varnish black
 3 Varnish on the inside is not necessary
 4 Packaging
 Quantity 5 pieces in a box



QTY	DESCRIPTION	MATERIAL	SURFACE	COLOR	REF	NOTES
1	Surface mounted housing side entry HB	Aluminium			23	With diecast bolt
1	Profile seal	Neoprene		Black	27	Lockactive
1	Flange seal	Neoprene		Black	27	Lockactive
1	Surface mounted housing side entry HB	Aluminium	Chromit Al TCP passivation	Black RAL 9005	20	Lockactive
1	Surface mounted housing side entry HB	Aluminium		Grey	30	Without I.E. indication
1	Flange seal	Neoprene		Black	18	2 mm thick
1	Surface mounted housing side entry HB	Aluminium		Grey RAL 7001	17	Noses milled off
1	Surface mounted housing side entry HB	Aluminium	Aluminium oxide	Black	15	
1	Surface mounted housing side entry HB	Aluminium		Grey RAL 7001	16	Electro-plate
1	Flanged seal	Viton		Black	33	
1	Profile seal	Neoprene		Light grey	12	3 mm thick
1	Flange seal	Neoprene		Black	11	1 mm thick
1	Profile seal	Neoprene		Black	30	
1	VS-clip bolt	Steel	Zinc plated	Blue	9	
1	VB-clip bolt	Stainless steel		Black	8	
1	VB-side clip	Steel	Zinc plated	Blue	7	
1	VB-side clip	Stainless steel		Black	6	
1	VS-locking clip	Steel	Zinc plated	Blue	5	
1	VS-locking clip	Stainless steel		Black	4	
1	Surface mounted housing side entry HB	Aluminium	Aluminium oxide	Black RAL 9005	2	
1	Surface mounted housing side entry HB	Aluminium		Grey RAL 7001	1	

23.07.1997 20.05.1998 23.07.1997 20.05.1998 23.07.1997 20.05.1998 23.07.1997 20.05.1998	23.07.1997 20.05.1998 23.07.1997 20.05.1998 23.07.1997 20.05.1998 23.07.1997 20.05.1998	23.07.1997 20.05.1998 23.07.1997 20.05.1998 23.07.1997 20.05.1998 23.07.1997 20.05.1998	23.07.1997 20.05.1998 23.07.1997 20.05.1998 23.07.1997 20.05.1998 23.07.1997 20.05.1998
--	--	--	--