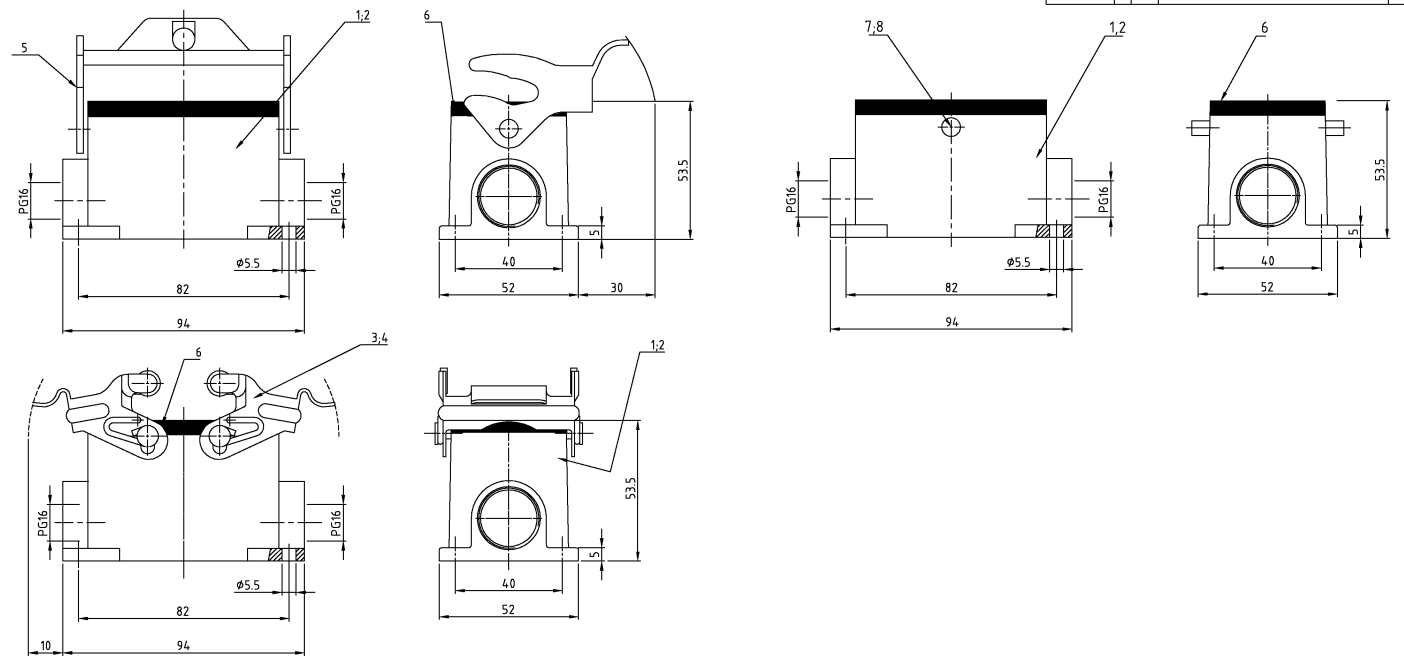


THIS DRAWING IS UNPUBLISHED
 VERBODEN DE WERKSTOFFTECHNISCHE REKENING
 RELEASED FOR PUBLICATION
 FREI FÜR VERÖFFENTLICHUNG
 -1997
 HAYES WITH
 PARSING 21
 HB.10

REV. NO.	DATE	BY	APPROVED
1	04.03.99	SR	SM

REVISIONS
 ANÄNDERUNGEN
 BESCHREIBUNG
 neu gezeichnet, EGG-6489-99



Notes,
 ⚠ Material: Housing: aluminium diecasting alloy
 Seals: Neoprene
 ⚠ Surface: Varnish- grey
 - aluminium oxid + Varnish black

Bemerkungen,
 ⚠ Material: Gehäuse: Alu-Druckguß-Legierung
 Dichtung: Neoprene
 ⚠ Oberfläche: Lackierung - grau
 - Aluminium-oxid-Schicht + Lackierung schwarz

QTY	DESCRIPTION / BEZEICHNUNG	MATERIAL	SURFACE/OBERFLÄCHE	COLOR/FARBE	PER NO. / POS.	REMARKS / BEMERKUNGEN
2	-	-	-	-	8	
-	2	-	-	blau	7	
1	1	1	1	black/schwarz	6	
-	1	-	-	blau	5	
-	2	-	-	blau	4	
-	2	-	-	blau	3	
1	1	1	1	black/schwarz	2	
-	1	-	-	grey/grau	1	
2-8	1-8	1-2	1-1			

HB-K/Z.10.SG-ZVGR.2.16.Z	HB-Z.10.SG-ZVGR.2.16.Z	HB.10.SG-LB.2.16.Z	HB.K.10.SG-VS.Z.16.Z	HB.10.SG-VS.Z.16.Z
--------------------------	------------------------	--------------------	----------------------	--------------------

DATE	04.03.99	DESIGNER	Schneider
DATE	04.03.99	BY	LT Schwaiger
PRODUCT SPEC	APV	NAME	
APPLICATION SPEC		SIZE	A2
VEHICLE CODE	00779	CARE CODE	
WEIGHT		DRAWING NO.	1102276
REMARKS		REVISIONS	
CUSTOMER DRAWING		DATE	04.03.99
		BY	SR
		APPROVED	SM

HTS Elektrotechnik
 53819 Neunkirchen, Germany

RESTRICTED TO
 NUR FÜR

AMP 1471-9 REV 27 JAN 96 This is a TRANSLATED file from
 Computer Aided Design, Inc. Revision 12.2.57