

4

3

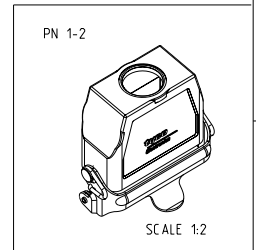
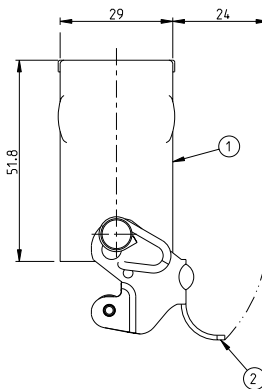
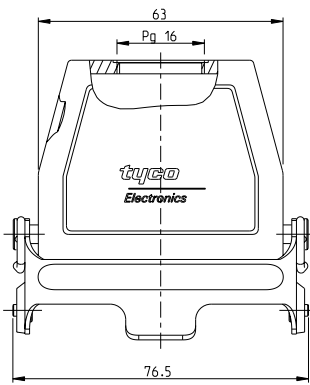
2

1

THIS DRAWING IS UNPUBLISHED. RELEASED FOR PUBLICATION 2000
COPYRIGHT 2000 BY TYCO ELECTRONICS CORPORATION. ALL RIGHTS RESERVED.

LOC	DIST	REVISIONS				
P	LTR	DESCRIPTION	DATE	DWN	APVD	
B2		RELEASED AS PER ECR-09-005170	05.MAR.2000	GG	TS	

- NOTES:
- 1 MATERIAL: SEE TABLE
 - 2 SURFACE: SEE TABLE
 - 3 VARNISH ON THE INSIDE NOT NECESSARY
 - 4 PACKAGING QUANTITY: 5 PIECES PER BOX



PN 1-2 AS SHOWN

1-2	DESCRIPTION	MATERIAL	SURFACE	COLOR	ITEM NO.	REMARKS
1	CLIP	STEEL	ZINC PLATED	BLUE	2	
1	CABLE TO CABLE HOOD	ALUMINIUM		GREY	1	

ORDERING TEXT
HA10.KDO-LB.1.16.G

<small>THIS DRAWING IS A CONTROLLED DOCUMENT FOR TYCO ELECTRONICS CORPORATION IT IS SUBJECT TO CHANGE AND THE CONTROLLING ENGINEERING ORGANIZATION SHOULD BE CONTACTED FOR THE LATEST REVISION.</small>		OWN: R.SRINIVAS 3/2/2006 CHK: R.SRINIVAS 3/3/2006 APVD: T.SCHNURPFIL 3/3/2006	Tyco Electronics Tyco Electronics.AMP.GmbH 53757.Sankt Augustin.Germany
DIMENSIONS: mm 	TOLERANCES UNLESS OTHERWISE SPECIFIED: 0 PLC ± 1 PLC ± 2 PLC ± 3 PLC ± 4 P.C.C. ± ANGLES ±	NAME: R.SRINIVAS PRODUCT SPEC: - APPLICATION SPEC: - WEIGHT: -	CABLE TO CABLE HOOD HA10.KDO-LB.1.16.G SIZE: A3 CAGE CODE: 00779 DRAWING NO: C-1102133 RESTRICTED TO: -
MATERIAL: 1	FINISH: 2	CUSTOMER DRAWING SCALE: 1:1 SHEET: 1 OF 1 REV: B2	