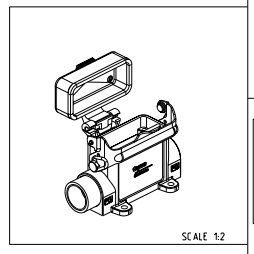
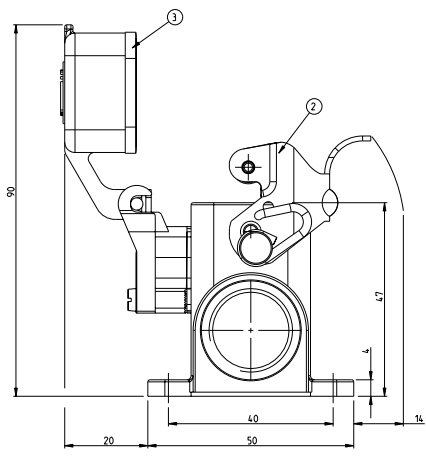
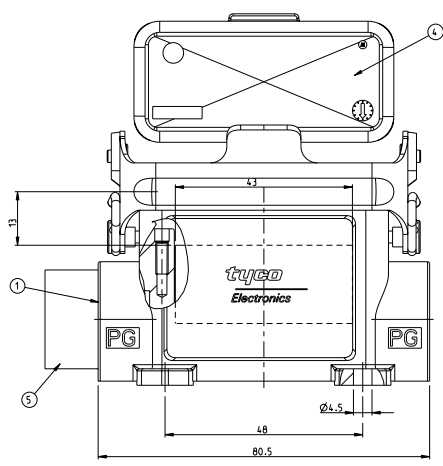


4 3 2 1

THIS DRAWING IS UNPUBLISHED. RELEASED FOR PUBLICATION 2000
 BY TYCO ELECTRONICS CORPORATION. ALL RIGHTS RESERVED.
 COPYRIGHT 2000

LOC	DIST	REV	DESCRIPTION	DATE	DRW	APPR
A1	-	BZ	RELEASED AS PER ECR-09-005170	09.MAR.2009	GG	TS

- NOTES
- 1 MATERIAL: SEE TABLE
 - 2 SURFACE: SEE TABLE
 - 3 VARNISH ON THE INSIDE NOT NECESSARILY
 - 4 PACKAGING QUANTITY: 5 PIECES PER BOX



1-2	DESCRIPTION	MATERIAL	SURFACE	COLOR	ITEM NO	REMARKS
1	ADAPTOR ROUND	BRASS	Ni PLATED	BLUE	5	
1	COVER	ALUMINIUM	-	GREY	4	
1	PROFILE SEAL	NEOPRENE	-	BLACK	3	
1	CLIP	STEEL	ZINC PLATED	BLUE	2	
1	SURFACE MOUNTED HOUSING-SIDE ENTRY	ALUMINIUM	-	GREY	1	

HA.10.SGD-LB.2.16.Z

DRW: S.KUMAR 2/13/2006
 DES: R.SRINIVAS 2/13/2006
 APPR: T.SCHUBERT 2/13/2006

NAME: SURFACE MOUNTED HOUSING-SIDE ENTRY
 HA.10.SGD-LB.2.16.Z

APPLICATOR: TycO Electronics, TycO Electronics AMP GmbH, 53757, Sankt Augustin, Germany

TO: BRANDS DIVISION

DATE: 2/13/2006

SIZE: A2

WEIGHT: -

CUSTOMER DRAWING

RESTRICTED TO: -

SCALE: 5:1 SHEET: 1 of 1 REV: BZ

AMP 1471-9 REV 31MAR2000
 PLS: KUMAR