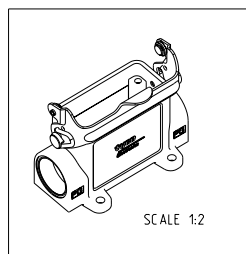
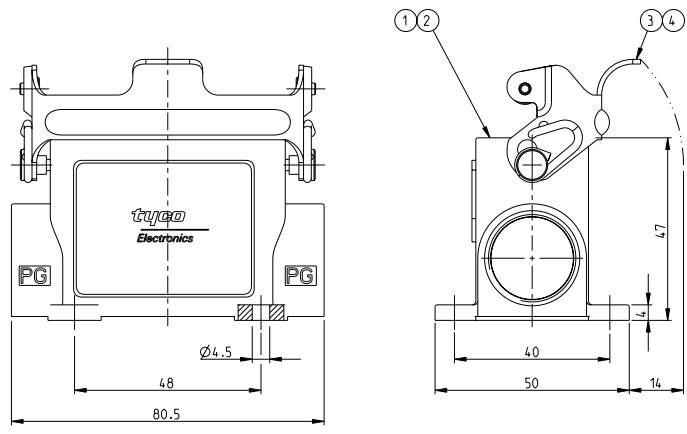


THIS DRAWING IS UNPUBLISHED. RELEASED FOR PUBLICATION 2000
 © COPYRIGHT 2000 BY TYCO ELECTRONICS CORPORATION. ALL RIGHTS RESERVED.

LOC	DIST	REVISIONS			
P	LTR	DESCRIPTION	DATE	DWN	APVD
A1	-				
C2		RELEASED AS PER ECR-09-005170	05.MAR.2009	GG	TS

- NOTES:
- 1 MATERIAL: SEE TABLE
 - 2 SURFACE: SEE TABLE
 - 3 VARNISH ON THE INSIDE NOT NECESSARY
 - 4 PACKAGING QUANTITY: 5 PIECES PER BOX



PN 0-1 & 1-2 AS SHOWN

QTY	DESCRIPTION	MATERIAL	SURFACE	COLOR	ITEM NO.	REMARKS
1	LB-SIDE CLIP	STAINLESS STEEL		BLANK	4	
- 1	LB-SIDE CLIP	STEEL	ZINC PLATED	BLUE	3	
1	SURFACE MOUNTED HOUSING	ALUMINIUM		WITHOUT VARNISH	2	
- 1	SURFACE MOUNTED HOUSING	ALUMINIUM		GREY	1	
0-1	1-2	DESCRIPTION	MATERIAL	SURFACE	COLOR	ITEM NO.
ORDERING TEXT						
HA.10.SG-LB.2.16.Z						
HA.10.SG-LB.2.16.Z						

DIMENSIONS: mm 		TOLERANCES UNLESS OTHERWISE SPECIFIED: 0 PLC ± 1 PLC ± 2 PLC ± 3 PLC ± 4 PLC ± ANGLES ±		DWN 2/27/2006 S.KUMAR CHK 2/27/2006 R.SRINIVAS APVD 2/27/2006 T.SCHNURPFEL	Tyco Electronics Tyco Electronics.AMP.GmbH 53757.Sankt Augustin.Germany
MATERIAL 1		FINISH 2		NAME SURFACE MOUNTED HOUSING, SIDE ENTRY HA10.SG-LB.2.16.Z	RESTRICTED TO -
CUSTOMER DRAWING				SIZE A3 CAGE CODE 00779 DRAWING NO C=1102126	SCALE 1:1 SHEET 1 OF 1 REV C2