

4

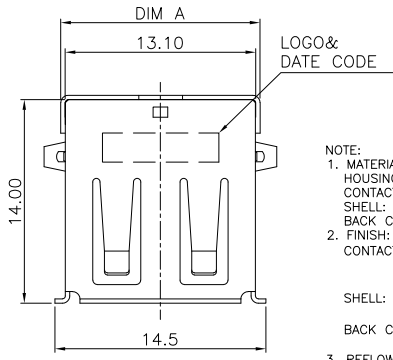
3

2

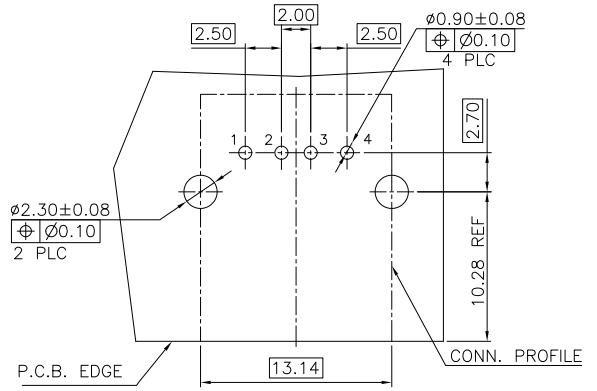
1

THIS DRAWING IS UNPUBLISHED. RELEASED FOR PUBLICATION
 © COPYRIGHT - BY - ALL RIGHTS RESERVED.

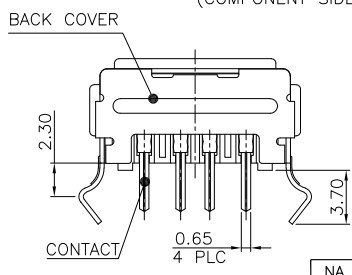
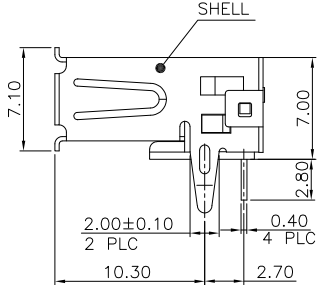
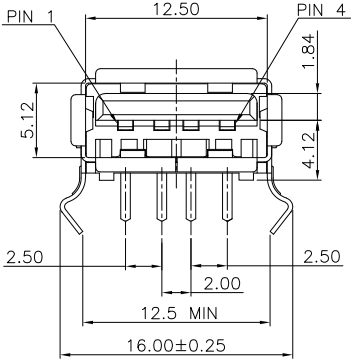
LOC	DIST	REVISIONS			
P	LTR	DESCRIPTION	DATE	DWN	APVD
E1		REVISED PER ECO-11-005301	07MAR11	RK	HMR



NOTE:
 1. MATERIAL:
 HOUSING: PA9T WITH 30%GF, UL94V-0, BLACK COLOR.
 CONTACT: PHOSPHOR BRONZE.
 SHELL: BRASS.
 BACK COVER: BRASS.
 2. FINISH:
 CONTACT: 0.762μm [30μ"] MIN. GOLD PLATING ON CONTACT AREA.
 3.048μm [120μ"] MIN. BRIGHT TIN PLATING ON SOLDERTAILS.
 1.27μm [50μ"] MIN. NICKEL UNDERPLATING OVERALL.
 SHELL: 0.762μm [30μ"] MIN. NICKEL PLATED OVER
 0.762μm [30μ"] MIN. Cu UNDERPLATING OVERALL.
 BACK COVER: 0.762μm [30μ"] MIN. NICKEL PLATED OVER
 0.762μm [30μ"] MIN. Cu UNDERPLATING OVERALL.
 3. REFLOW SOLDER CAPABLE TO 260°C PER TE CONNECTIVITY SPEC 109-201, CONDITION B.



RECOMMEND P.C.B LAYOUT (THICKNESS=1.6mm)
 (COMPONENT SIDE) TOLERANCE±0.05



NA	W/O	TRAY	1734081-2
13.7	W/	TRAY	1734081-1
DIM.A	BACK COVER	PACKAGE	PART NUMBER

THIS DRAWING IS A CONTROLLED DOCUMENT.		DWN	21SEP2004	 TE Connectivity USB CONNECTOR, RECEPTACLE 4 POSITION, SERIES A			
DIMENSIONS:		CHK	21SEP2004				
MM		APVD	21SEP2004				
TOLERANCES UNLESS OTHERWISE SPECIFIED: 0 PLC ± - 1 PLC ± 0.35 2 PLC ± 0.25 3 PLC ± 0.15 4 PLC ± - ANGLES ± 3°		NAME					
		PRODUCT SPEC	108-57505	SIZE	CAGE CODE	DRAWING NO	RESTRICTED TO
MATERIAL		APPLICATION SPEC	501-57579	WEIGHT	2.01 GRAMS	A300779	C=1734081
SEE NOTE		FINISH	SEE NOTE	CUSTOMER DRAWING		SCALE	SHEET 1 of 19 REV E 1

4

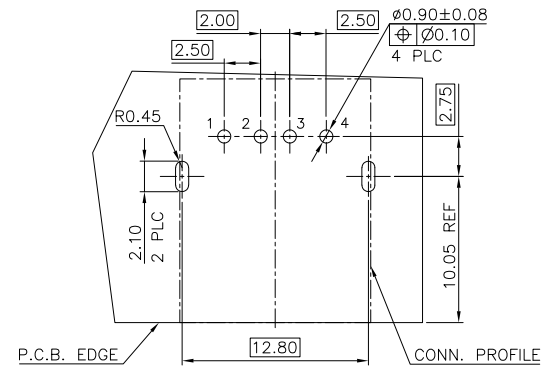
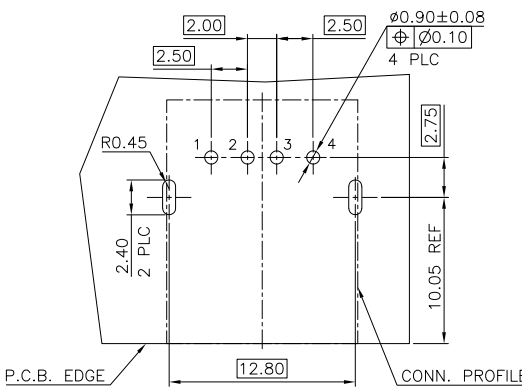
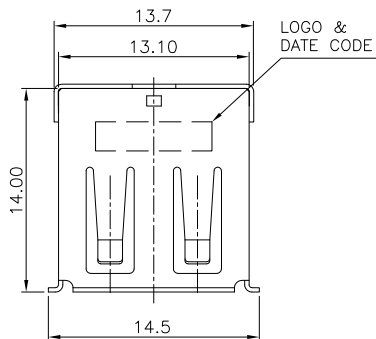
3

2

1

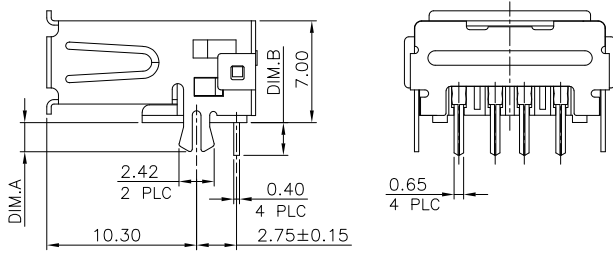
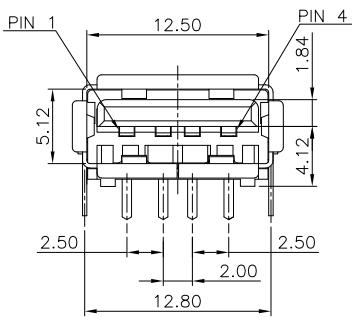
THIS DRAWING IS UNPUBLISHED. RELEASED FOR PUBLICATION
 © COPYRIGHT - BY - ALL RIGHTS RESERVED.

LOC	DIST	REVISIONS			
P	LTR	DESCRIPTION	DATE	DWN	APVD
-	-	SEE SHEET 1.	-	-	-



RECOMMEND P.C.B LAYOUT (THICKNESS=1.6mm)
 (COMPONENT SIDE) TOLERANCE±0.05 FOR DIM.A=2.4

RECOMMEND P.C.B LAYOUT (THICKNESS=1.4~1.6mm)
 (COMPONENT SIDE) TOLERANCE±0.05 FOR DIM.A=2.0



HSG. MATERIAL	HSG. COLOR	DIM A	DIM B	PACKAGE	PART NUMBER
PA-46	MOON GRAY	2.0	2.25	T&R	1-1734081-4
		2.4	2.25	T&R	1-1734081-3
PA-9T	BLACK	2.0	1.5	T&R	1-1734081-5
			2.25	T&R	1-1734081-2
				TRAY	1-1734081-1

NOTE:
 1. MATERIAL:
 HOUSING: THERMOPLASTIC (SEE TABLE) WITH 30%GF, UL94V-0, BLACK COLOR.
 CONTACT: PHOSPHOR BRONZE.
 SHELL: BRASS.
 BACK COVER: BRASS.
 2. FINISH:
 CONTACT: 0.762µm [30µ"] MIN. GOLD PLATING ON CONTACT AREA,
 3.048µm [120µ"] MIN. BRIGHT TIN PLATING ON SOLDERTAILS.
 1.27µm [50µ"] MIN. NICKEL UNDERPLATING OVERALL.
 SHELL: 0.762µm [30µ"] MIN. NICKEL PLATED OVER
 0.762µm [30µ"] MIN. Cu UNDERPLATING OVERALL.
 BACK COVER: 0.762µm [30µ"] MIN. NICKEL PLATED OVER
 0.762µm [30µ"] MIN. Cu UNDERPLATING OVERALL.
 ▲ REFLOW SOLDER CAPABLE TO 245°C PER TE CONNECTIVITY SPEC 109-201, CONDITION A.
 ▲ REFLOW SOLDER CAPABLE TO 260°C PER TE CONNECTIVITY SPEC 109-201, CONDITION B.

THIS DRAWING IS A CONTROLLED DOCUMENT.

DIMENSIONS:	TOLERANCES UNLESS OTHERWISE SPECIFIED:	DWN	TE Connectivity		
MM	0 PLC ± -	CHK	NAME		
	1 PLC ± 0.35	APVD	USB CONNECTOR, RECEPTACLE 4 POSITION, SERIES A		
	2 PLC ± 0.25	PRODUCT SPEC	SIZE	CAGE CODE	DRAWING NO
	3 PLC ± 0.15	APPLICATION SPEC	A3	00779	1734081
	4 PLC ± -	WEIGHT	RESTRICTED TO		
	ANGLES ± 3°	2.01 GRAMS	-		
MATERIAL	FINISH	CUSTOMER DRAWING	SCALE	SHEET	REV
SEE NOTE	SEE NOTE		-	2 of 19	E 1

4

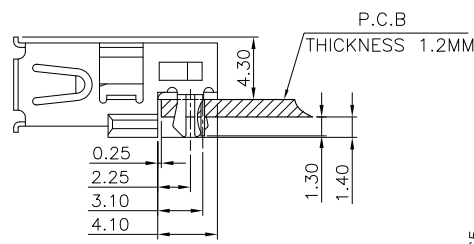
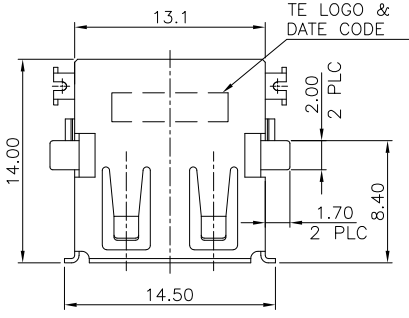
3

2

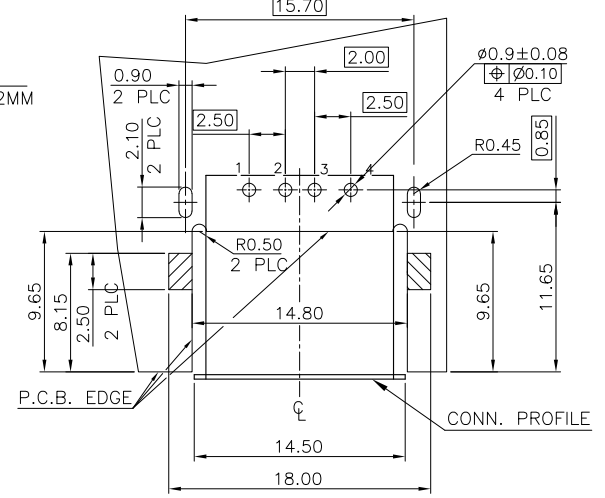
1

THIS DRAWING IS UNPUBLISHED. RELEASED FOR PUBLICATION
 © COPYRIGHT - BY - ALL RIGHTS RESERVED.

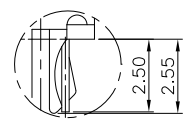
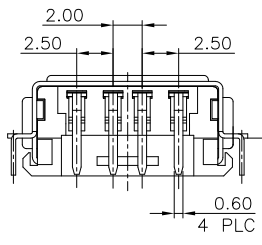
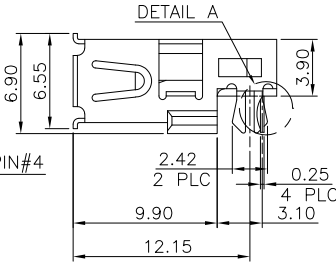
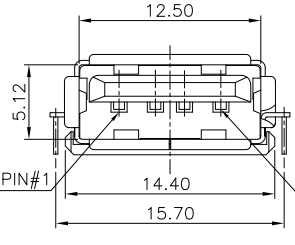
LOC	DIST	REVISIONS			
P	LTR	DESCRIPTION	DATE	DWN	APVD
DW		SEE SHEET 1.			



RECOMMENDED MOUNT DIMENSION



RECOMMEND P.C.B LAYOUT (THICKNESS=1.2mm)
 (COMPONENT SIDE) TOLERANCE±0.05



DETAIL A
 SCALE 2:1

- NOTE:
- MATERIAL:
 HOUSING: PA9T WITH 30%GF, UL94V-0, BLACK COLOR.
 CONTACT: PHOSPHOR BRONZE.
 SHELL: BRASS.
 - FINISH:
 CONTACT: 0.762µm [30µ] MIN. GOLD PLATING ON CONTACT AREA,
 3.048µm [120µ] MIN. BRIGHT TIN PLATING ON SOLDERTAILS.
 1.27µm [50µ] MIN. NICKEL UNDERPLATING OVERALL.
 SHELL: 0.762µm [30µ] MIN. TIN PLATED OVER
 0.762µm [30µ] MIN. Cu UNDERPLATING OVERALL.
 0.762µm [30µ] MIN. NICKEL PLATED OVER
 0.762µm [30µ] MIN. Cu UNDERPLATING OVERALL.
 - REFLOW SOLDER CAPABLE TO 260°C PER TE CONNECTIVITY SPEC 109-201, CONDITION B.

TAPE & REEL	2-1734081-3
TUBE	2-1734081-2
TUBE	2-1734081-1
SHELL PLATING	PACKAGE PART NUMBER

THIS DRAWING IS A CONTROLLED DOCUMENT.

DIMENSIONS:	TOLERANCES UNLESS OTHERWISE SPECIFIED:	DWN	TE Connectivity USB CONNECTOR, RECEPTACLE 4 POSITION, SERIES A			
MM	0 PLC ± -	CHK				
	1 PLC ± 0.35	APVD				
	2 PLC ± 0.25	PRODUCT SPEC				
	3 PLC ± 0.15	APPLICATION SPEC				
MATERIAL	FINISH	SIZE	CAGE CODE	DRAWING NO	RESTRICTED TO	
SEE NOTE	SEE NOTE	WEIGHT	A3	00779	C=1734081	
		CUSTOMER DRAWING	SCALE	SHEET	3 of 19	REV E 1

4

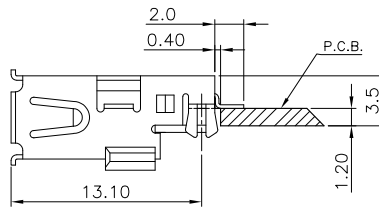
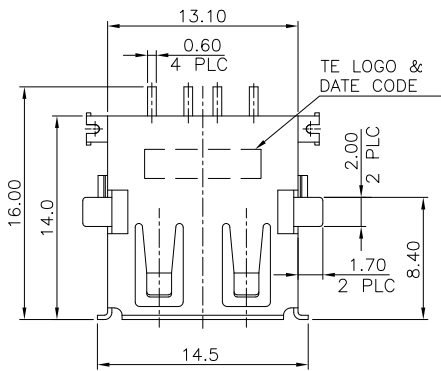
3

2

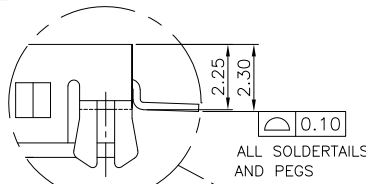
1

THIS DRAWING IS UNPUBLISHED. RELEASED FOR PUBLICATION
 © COPYRIGHT - BY - ALL RIGHTS RESERVED.

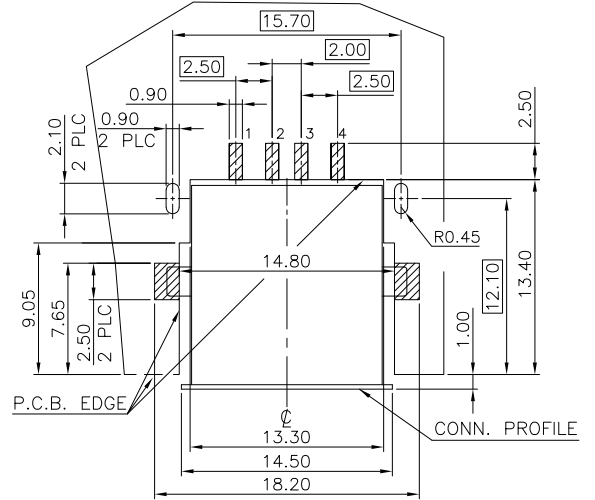
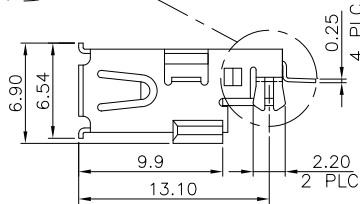
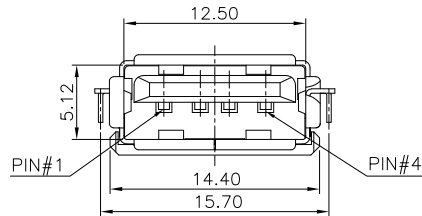
LOC	DIST	REVISIONS			
P	LTR	DESCRIPTION	DATE	DWN	APVD
DW		SEE SHEET 1.			



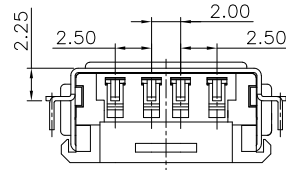
RECOMMENDED MOUNT DIMENSION



ALL SOLDER TAILS AND PEGS



RECOMMEND P.C.B LAYOUT (THICKNESS=1.2mm) (COMPONENT SIDE) TOLERANCE±0.05



TAPE & REEL	3-1734081-1
PACKAGE	PART NUMBER

- NOTE:
- MATERIAL:
 HOUSING: PA9T WITH 30%GF, UL94V-0, BLACK COLOR.
 CONTACT: PHOSPHOR BRONZE.
 SHELL: BRASS.
 - FINISH:
 CONTACT: 0.762µm [30µ"] MIN. GOLD PLATING ON CONTACT AREA.
 3.048µm [120µ"] MIN. BRIGHT TIN PLATING ON SOLDER TAILS.
 1.27µm [50µ"] MIN. NICKEL UNDERPLATING OVERALL.
 SHELL: 0.762µm [30µ"] MIN. NICKEL PLATED OVER
 0.762µm [30µ"] MIN. Cu UNDERPLATING OVERALL.
 - REFLOW SOLDER CAPABLE TO 260°C PER TE CONNECTIVITY SPEC 109-201, CONDITION B.

THIS DRAWING IS A CONTROLLED DOCUMENT.		DWN	TE Connectivity		
		CHK			
DIMENSIONS:		APVD	NAME		
MM		PRODUCT SPEC			
TOLERANCES UNLESS OTHERWISE SPECIFIED:		APPLICATION SPEC	USB CONNECTOR, RECEPTACLE 4 POSITION, SERIES A		
0 PLC ± - 1 PLC ± 0.35 2 PLC ± 0.25 3 PLC ± 0.15 4 PLC ± - ANGLES ± 3°		SIZE			
MATERIAL	FINISH	WEIGHT	CAGE CODE	DRAWING NO	RESTRICTED TO
SEE NOTE	SEE NOTE	1.54 GRAMS	A3	00779	©=1734081
		CUSTOMER DRAWING	SCALE	SHEET	REV
				4 of 19	E 1

4

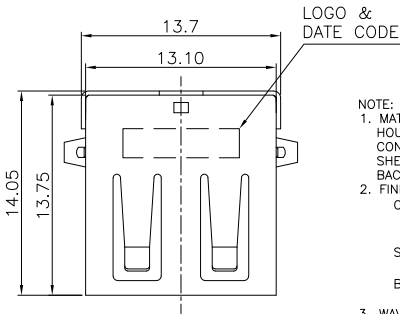
3

2

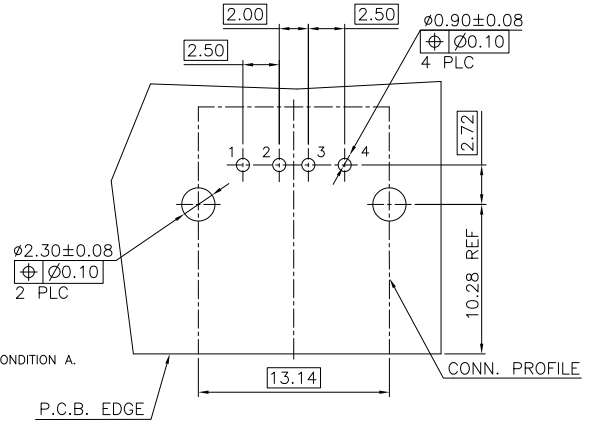
1

THIS DRAWING IS UNPUBLISHED. RELEASED FOR PUBLICATION
 © COPYRIGHT - BY - ALL RIGHTS RESERVED.

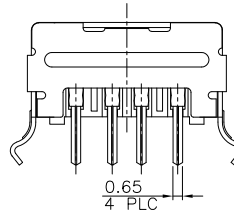
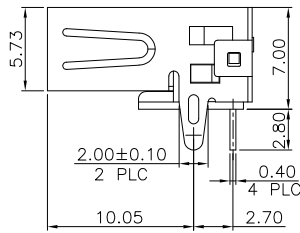
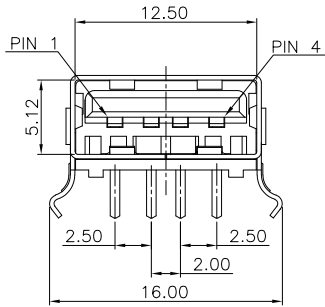
LOC	DIST	REVISIONS			
P	LTR	DESCRIPTION	DATE	DWN	APVD
-	-	SEE SHEET 1.	-	-	-



- NOTE:
- MATERIAL:
 HOUSING: PBT WITH 30%GF, UL94V-0, COLOR: SEE TABLE.
 CONTACT: PHOSPHOR BRONZE.
 SHELL: BRASS.
 BACK COVER: BRASS.
 - FINISH:
 CONTACT: 0.762µm [30µ"] MIN. GOLD PLATING ON CONTACT AREA.
 3.048µm [120µ"] MIN. BRIGHT TIN PLATING ON SOLDERTAILS.
 1.27µm [50µ"] MIN. NICKEL UNDERPLATING OVERALL.
 SHELL: 0.762µm [30µ"] MIN. NICKEL PLATED OVER
 0.762µm [30µ"] MIN. Cu UNDERPLATING OVERALL.
 BACK COVER: 0.762µm [30µ"] MIN. NICKEL PLATED OVER
 0.762µm [30µ"] MIN. Cu UNDERPLATING OVERALL.
 - WAVE SOLDER CAPABLE TO 245°C PER TE CONNECTIVITY SPEC 109-202, CONDITION A.



RECOMMEND P.C.B. LAYOUT (THICKNESS=1.6mm)
 (COMPONENT SIDE) TOLERANCE±0.05



TRAY	MOON GRAY	4-1734081-2
	NONMETALLIC PEARL	4-1734081-1
PACKAGE	HSG. COLOR	PART NUMBER

THIS DRAWING IS A CONTROLLED DOCUMENT.		DWN	TE Connectivity													
DIMENSIONS: MM		CHK	NAME													
TOLERANCES UNLESS OTHERWISE SPECIFIED:		APVD	USB CONNECTOR, RECEPTACLE 4 POSITION, SERIES A													
<table border="1"> <tr><td>0 PLC</td><td>± -</td></tr> <tr><td>1 PLC</td><td>± 0.35</td></tr> <tr><td>2 PLC</td><td>± 0.25</td></tr> <tr><td>3 PLC</td><td>± 0.15</td></tr> <tr><td>4 PLC</td><td>± -</td></tr> <tr><td>ANGLES</td><td>± 3°</td></tr> </table>		0 PLC	± -	1 PLC	± 0.35	2 PLC	± 0.25	3 PLC	± 0.15	4 PLC	± -	ANGLES	± 3°	PRODUCT SPEC	SIZE CAGE CODE DRAWING NO	
0 PLC	± -															
1 PLC	± 0.35															
2 PLC	± 0.25															
3 PLC	± 0.15															
4 PLC	± -															
ANGLES	± 3°															
MATERIAL SEE NOTE		APPLICATION SPEC	RESTRICTED TO													
FINISH SEE NOTE		WEIGHT 2.03 GRAMS	A3 00779 C=1734081													
		CUSTOMER DRAWING	SCALE	SHEET 5 of 19 REV E 1												

4

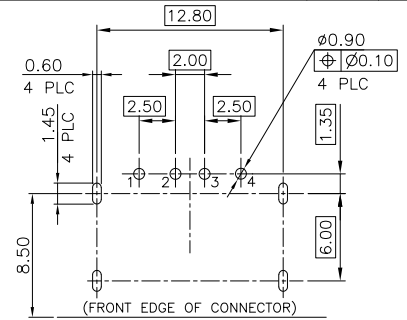
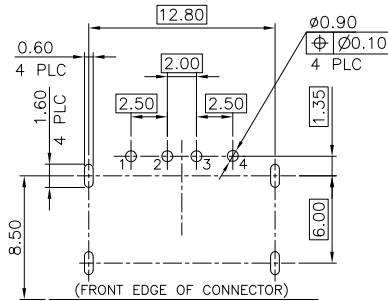
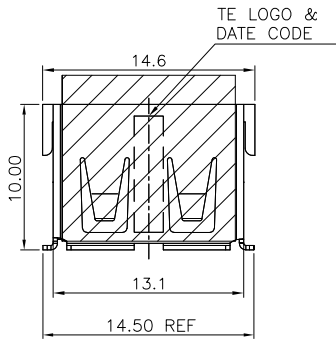
3

2

1

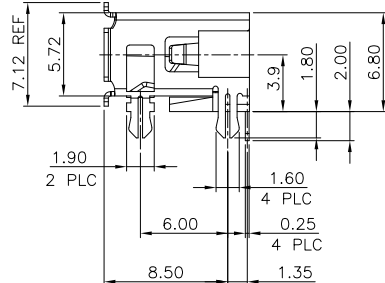
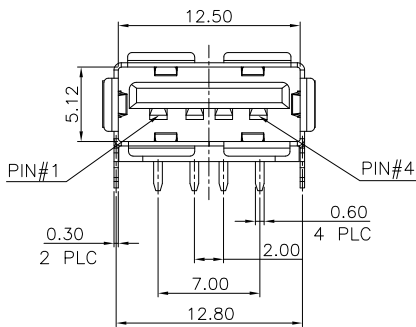
THIS DRAWING IS UNPUBLISHED. RELEASED FOR PUBLICATION
 © COPYRIGHT - BY - ALL RIGHTS RESERVED.

LOC	DIST	REVISIONS				
P	LTR	DESCRIPTION	DATE	DWN	APVD	
-	-	SEE SHEET 1.	-	-	-	



RECOMMEND P.C.B LAYOUT (THICKNESS=1.4mm)
 (COMPONENT SIDE) TOLERANCE±0.05

RECOMMEND P.C.B LAYOUT (THICKNESS=1.4mm)
 (COMPONENT SIDE) TOLERANCE±0.05



NOTE:
 1. MATERIAL:
 HOUSING: PA8T WITH 30%GF, UL94V-0, BLACK COLOR.
 CONTACT: PHOSPHOR BRONZE.
 SHELL: BRASS.
 MYLAR: KAPTON, 0.06 THICKNESS
 FINISH:
 CONTACT: 0.762µm [30µ"] MIN. GOLD PLATING ON CONTACT AREA,
 2.54µm [100µ"] MIN. MATTE-TIN PLATING ON SOLDER TAIL,
 WITH ENTIRE CONTACT UNDERPLATED 1.27µm [50µ"] MIN. NICKEL
 SHELL: 1.27µm [50µ"] MIN. NICKEL PLATING.
 FINISH:
 CONTACT: 0.254µm [10µ"] MIN. GOLD PLATING ON CONTACT AREA,
 2.54µm [100µ"] MIN. MATTE-TIN PLATING ON SOLDER TAIL,
 WITH ENTIRE CONTACT UNDERPLATED 1.27µm [50µ"] MIN. NICKEL
 SHELL: 1.27µm [50µ"] MIN. NICKEL PLATING.
 SPUTTERING/BLACK PLATING IN FRONT FLANGE.
 4. REFLOW SOLDER CAPABLE TO 260°C PER TE CONNECTIVITY TEST SPEC 109-201, CONDITION B.
 CONNECTOR MOUNTING WITH ZERO INSERTION FORCE.

TAPE&REEL W/O MYLAR	5-1734081-3
TAPE&REEL W/ MYLAR	5-1734081-2
TAPE&REEL W/ MYLAR	5-1734081-1
FINISH	PACKAGE
	PART NUMBER

THIS DRAWING IS A CONTROLLED DOCUMENT.

DIMENSIONS: MM	TOLERANCES UNLESS OTHERWISE SPECIFIED: 0 PLC ± - 1 PLC ± 0.35 2 PLC ± 0.25 3 PLC ± 0.15 4 PLC ± - ANGLES ± 3°	DWN	CHK	APVD	PRODUCT SPEC	APPLICATION SPEC	NAME	SIZE	CAGE CODE	DRAWING NO	RESTRICTED TO
MATERIAL SEE NOTE	FINISH SEE NOTE	WEIGHT 1.54 GRAMS	A3	00779	C=1734081	CUSTOMER DRAWING	SCALE	SHEET	6 of 19	REV	E 1

STE TE Connectivity
 USB CONNECTOR, RECEPTACLE
 4 POSITION, SERIES A

4

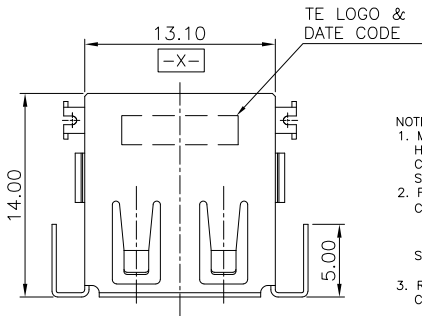
3

2

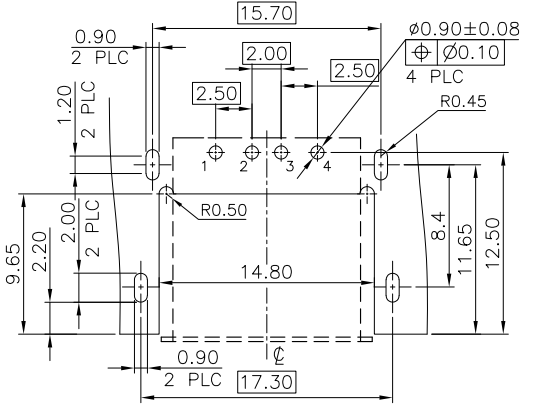
1

THIS DRAWING IS UNPUBLISHED. RELEASED FOR PUBLICATION
 © COPYRIGHT - BY - ALL RIGHTS RESERVED.

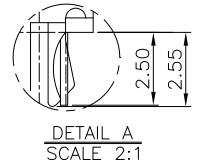
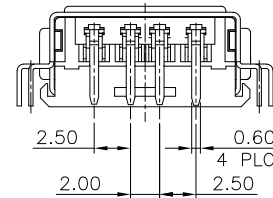
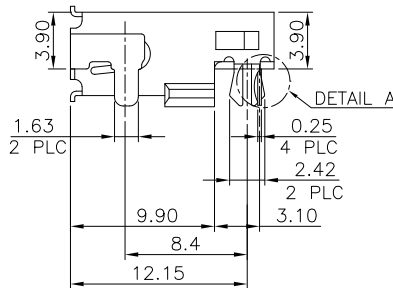
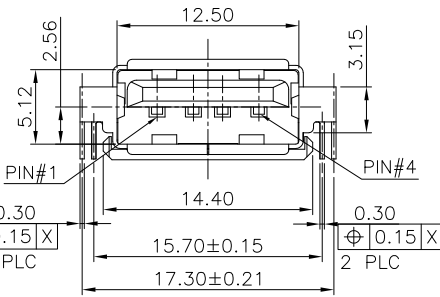
LOC	DIST	REVISIONS			
P	LTR	DESCRIPTION	DATE	DWN	APVD
-	-	SEE SHEET 1.	-	-	-



- NOTE:
- MATERIAL:
 HOUSING: PA9T WITH 30%GF, UL94V-0, BLACK COLOR.
 CONTACT: PHOSPHOR BRONZE.
 SHELL: BRASS.
 - FINISH:
 CONTACT: 0.762μm [30μ"] MIN. GOLD PLATING ON CONTACT AREA,
 3.048μm [120μ"] MIN. BRIGHT TIN PLATING ON SOLDER TAILS.
 1.27μm [50μ"] MIN. NICKEL UNDERPLATING OVERALL.
 SHELL: 0.762μm [30μ"] MIN. NICKEL PLATED OVER
 0.762μm [30μ"] MIN. Cu UNDERPLATING OVERALL.
 - REFLOW SOLDER CAPABLE TO 260°C PER TE CONNECTIVITY SPEC 109-201, CONDITION B.



RECOMMEND P.C.B LAYOUT (THICKNESS=1.6mm)
 (COMPONENT SIDE) TOLERANCE±0.05

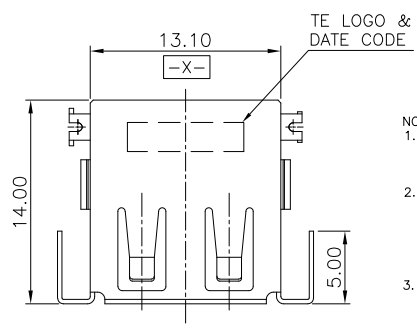


TAPE & REEL	6-1734081-2
TUBE	6-1734081-1
PACKAGE	PART NUMBER

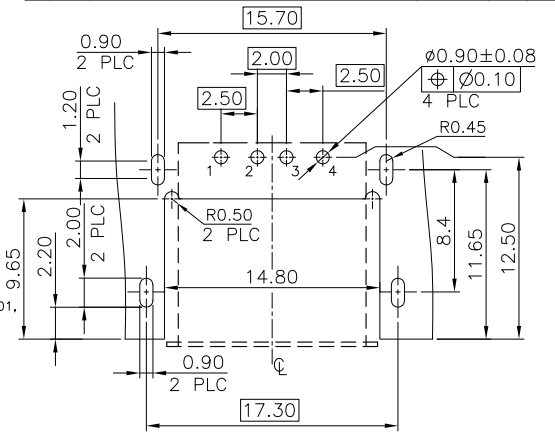
THIS DRAWING IS A CONTROLLED DOCUMENT.		DWN	TE Connectivity	
DIMENSIONS:		CHK	NAME	
MM	TOLERANCES UNLESS OTHERWISE SPECIFIED:	APVD	USB CONNECTOR, RECEPTACLE 4 POSITION, SERIES A	
	0 PLC ± -	PRODUCT SPEC	SIZE	CAGE CODE
	1 PLC ± 0.35	APPLICATION SPEC	A3	00779
	2 PLC ± 0.25		DRAWING NO	C=1734081
	3 PLC ± 0.15		RESTRICTED TO	-
	4 PLC ± -		WEIGHT	1.47 GRAMS
	ANGLES ± 3°		CUSTOMER DRAWING	SCALE
MATERIAL	FINISH			SHEET
SEE NOTE	SEE NOTE			7 of 19
				REV E 1

THIS DRAWING IS UNPUBLISHED. RELEASED FOR PUBLICATION
 © COPYRIGHT - BY - ALL RIGHTS RESERVED.

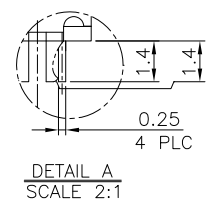
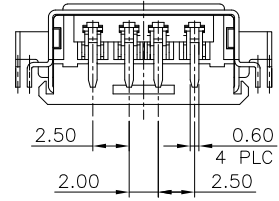
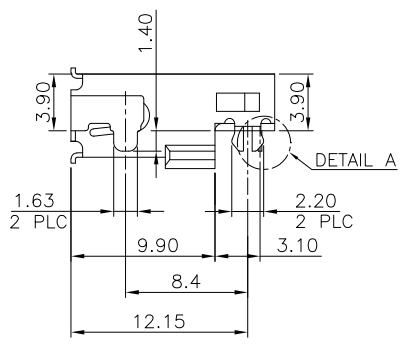
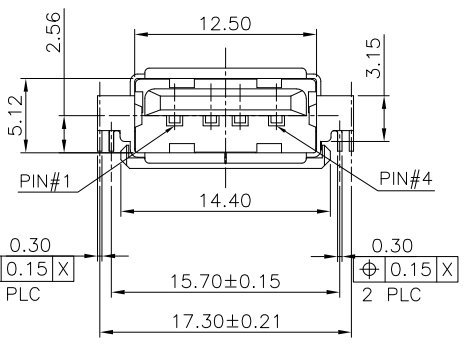
LOC	DIST	REVISIONS				
P	LTR	DESCRIPTION	DATE	DWN	APVD	
DW		SEE SHEET 1.				



NOTE:
 1. MATERIAL:
 HOUSING: PA9T WITH 30%GF, UL94V-0, BLACK COLOR.
 CONTACT: PHOSPHOR BRONZE.
 SHELL: BRASS.
 2. FINISH:
 CONTACT: 0.762 μ m [30 μ "] MIN. GOLD PLATING ON CONTACT AREA,
 3.048 μ m [120 μ "] MIN. BRIGHT TIN PLATING ON SOLDERTAILS.
 1.27 μ m [50 μ "] MIN. NICKEL UNDERPLATING OVERALL.
 SHELL: 0.762 μ m [30 μ "] MIN. NICKEL PLATED OVER
 0.762 μ m [30 μ "] MIN. Cu UNDERPLATING OVERALL.
 3. REFLOW SOLDER CAPABLE TO 260°C PER TE CONNECTIVITY SPEC 109-201,
 CONDITION B.



RECOMMEND P.C.B LAYOUT (THICKNESS=0.8mm)
 (COMPONENT SIDE) TOLERANCE ±0.05



TAPE & REEL	6-1734081-3
PACKAGE	PART NUMBER

THIS DRAWING IS A CONTROLLED DOCUMENT.		DWN	TE Connectivity													
DIMENSIONS: MM		CHK														
TOLERANCES UNLESS OTHERWISE SPECIFIED:		APVD														
<table border="1"> <tr><td>0 PLC</td><td>± -</td></tr> <tr><td>1 PLC</td><td>± 0.35</td></tr> <tr><td>2 PLC</td><td>± 0.25</td></tr> <tr><td>3 PLC</td><td>± 0.15</td></tr> <tr><td>4 PLC</td><td>± -</td></tr> <tr><td>ANGLES</td><td>± 3°</td></tr> </table>		0 PLC	± -	1 PLC	± 0.35	2 PLC	± 0.25	3 PLC	± 0.15	4 PLC	± -	ANGLES	± 3°	PRODUCT SPEC	NAME	
0 PLC	± -															
1 PLC	± 0.35															
2 PLC	± 0.25															
3 PLC	± 0.15															
4 PLC	± -															
ANGLES	± 3°															
MATERIAL: SEE NOTE		APPLICATION SPEC	USB CONNECTOR, RECEPTACLE 4 POSITION, SERIES A													
FINISH: SEE NOTE		WEIGHT: 1.47 GRAMS	SIZE: A3	CAGE CODE: 00779												
		CUSTOMER DRAWING	DRAWING NO: C=1734081	RESTRICTED TO												
		SCALE: -	SHEET: 8 of 19	REV: E1												

4

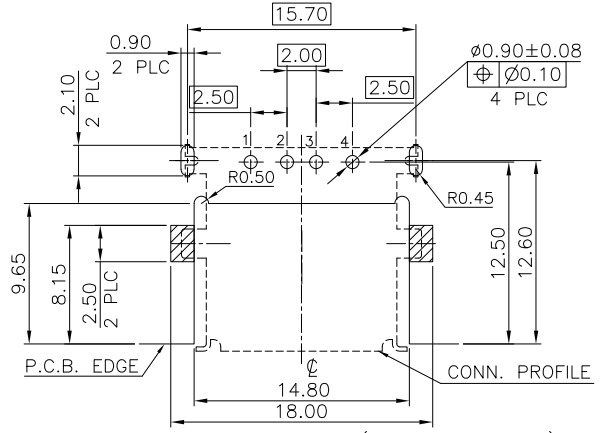
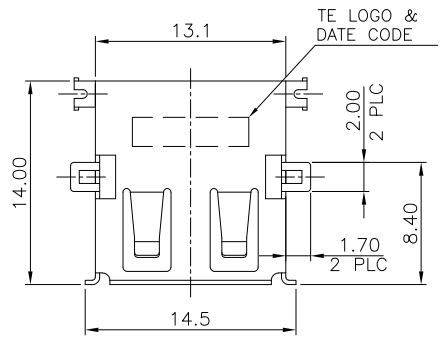
3

2

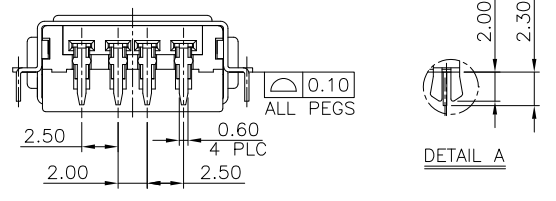
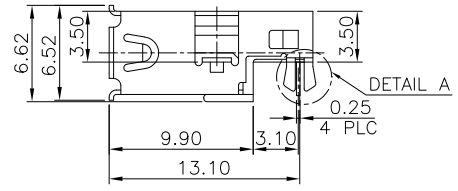
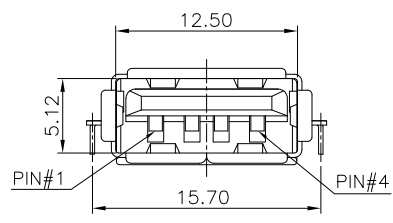
1

THIS DRAWING IS UNPUBLISHED. RELEASED FOR PUBLICATION
 © COPYRIGHT - BY - ALL RIGHTS RESERVED.

LOC	DIST	REVISIONS				
P	LTR	DESCRIPTION	DATE	DWN	APVD	
DW		SEE SHEET 1.				



RECOMMEND P.C.B LAYOUT (THICKNESS=1.2mm)
 (COMPONENT SIDE) TOLERANCE±0.05



- NOTE:
 1. MATERIAL:
 HOUSING: PA9T WITH 30%GF, UL 94V-0, BLACK COLOR.
 CONTACT: PHOSPHOR BRONZE.
 SHELL: BRASS.
 2. FINISH:
 CONTACT: 0.762µm [30µ"] MIN. GOLD PLATING ON CONTACT AREA,
 3.048µm [120µ"] MIN. BRIGHT TIN PLATING ON SOLDER TAILS.
 1.27µm [50µ"] MIN. NICKEL UNDERPLATING OVERALL.
 SHELL: 0.762µm [30µ"] MIN. NICKEL PLATED OVER
 0.762µm [30µ"] MIN. Cu UNDERPLATING OVERALL.
 3. REFLOW SOLDER CAPABLE TO 260°C PER TE CONNECTIVITY
 SPEC 109-201,
 CONDITION B.

TAPE & REEL	7-1734081-1
PACKAGE	PART NUMBER

THIS DRAWING IS A CONTROLLED DOCUMENT.		DWN	STE TE Connectivity	
		CHK		
DIMENSIONS:		APVD	NAME	
TOLERANCES UNLESS OTHERWISE SPECIFIED:		PRODUCT SPEC		
MM	0 PLC ± -	APPLICATION SPEC	USB CONNECTOR, RECEPTACLE 4 POSITION, SERIES A	
	1 PLC ± 0.35			
	2 PLC ± 0.25	WEIGHT	1.57 GRAMS	RESTRICTED TO
	3 PLC ± 0.15	SIZE	A3	CAGE CODE
	4 PLC ± -	DRAWING NO	C=1734081	
	ANGLES ± 3°	CUSTOMER DRAWING	SCALE	SHEET
MATERIAL	SEE NOTE			9 of 19
FINISH	SEE NOTE			REV E 1

4

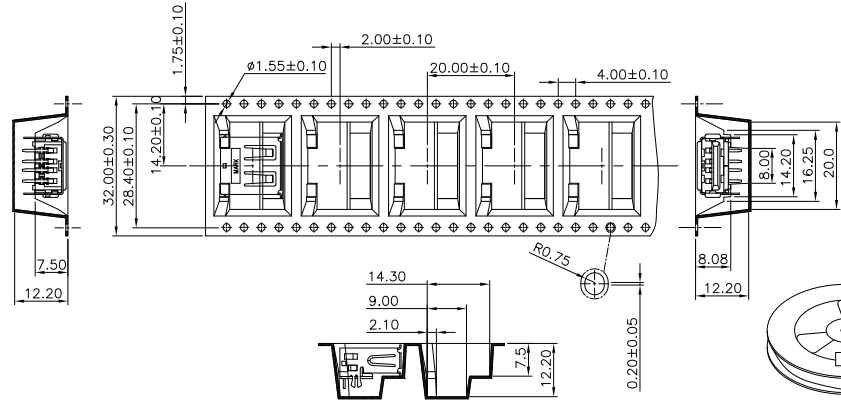
3

2

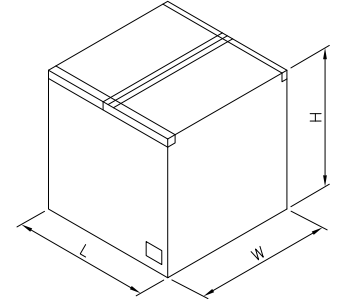
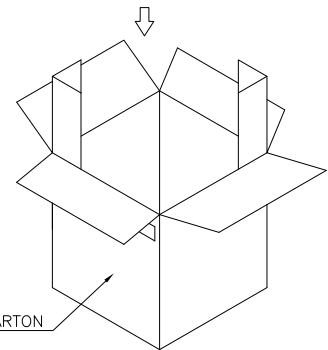
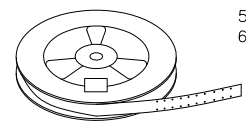
1

THIS DRAWING IS UNPUBLISHED. RELEASED FOR PUBLICATION
 © COPYRIGHT - BY - ALL RIGHTS RESERVED.

LOC	DIST	REVISIONS			
P	LTR	DESCRIPTION	DATE	DWN	APVD
-	-	SEE SHEET 1.	-	-	-



- NOTES:
- MATERIAL:
 REEL: PS.
 EMBOSSED CARRIER: PS.
 COVER TAPE: PBT.
 - DIMENSION :
 TAPE REEL: $\phi 330\text{mm} \times 37.1\text{mm}$
 SHIPPING CARTON: L=350mm,W=350mm, H=350mm
 - QUANTITY :
 PRIMARY PACKING: 250PCS/REEL
 SECONDARY PACKING: 9 REELS/CARTON(2,250PCS).
 - WEIGHT :
 NET WEIGHT: 0.50 KG/REEL, 4.52 KG/CARTON.
 GROSS WEIGHT: 1.00 KG/REEL, 9.50 KG/CARTON.
 - PEELING RESISTANCE: 20G TO 130G.
 - PEELING SPEED: 300MM/MIN.



SHIPPING CARTON

9.50 Kg	4.52 Kg	250	9	2250	1-1734081-4
					1-1734081-3
					1-1734081-2
GROSS WEIGHT	NET WEIGHT	PCS/REEL	REELS/CARTON	QUANTITY	PART NUMBER

THIS DRAWING IS A CONTROLLED DOCUMENT.

DIMENSIONS:	TOLERANCES UNLESS OTHERWISE SPECIFIED:	DWN	CHK	APVD	PRODUCT SPEC	APPLICATION SPEC	WEIGHT	CUSTOMER DRAWING
MM	0 PLC ± -							
	1 PLC ± -							
	2 PLC ± -							
	3 PLC ± -							
	4 PLC ± -							
	ANGLES ± -							
MATERIAL	FINISH							

NAME: **STE** TE Connectivity

USB CONNECTOR, RECEPTACLE 4 POSITION, SERIES A

SIZE	CAGE CODE	DRAWING NO	RESTRICTED TO
A3	00779	C=1734081	-

SCALE: - SHEET: 10 of 19 REV: E 1

4

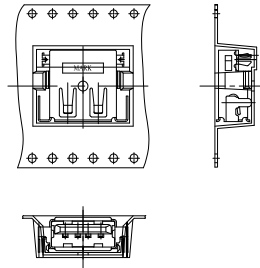
3

2

1

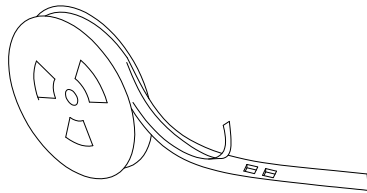
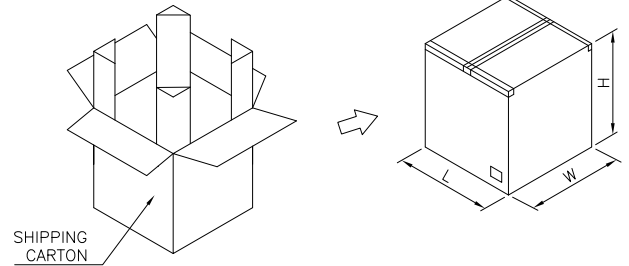
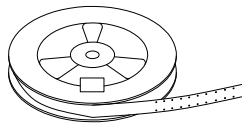
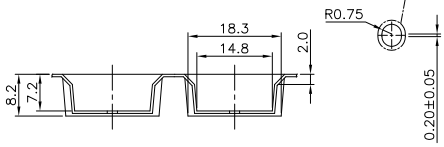
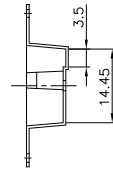
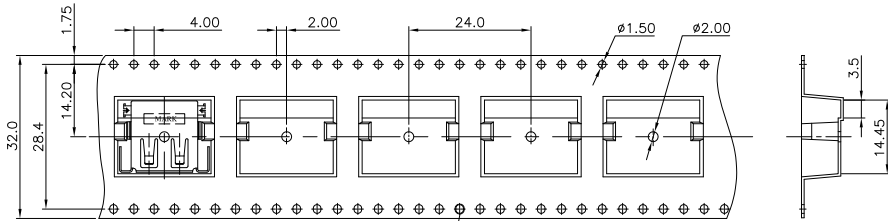
THIS DRAWING IS UNPUBLISHED. RELEASED FOR PUBLICATION
 © COPYRIGHT - BY - ALL RIGHTS RESERVED.

LOC		DIST		REVISIONS				
P	LTR	DESCRIPTION	DATE	DWN	APVD			
-	-	SEE SHEET 1.	-	-	-			



NOTES:

- MATERIAL:
 REEL: PS.
 EMBOSSED CARRIER: PS.
 COVER TAPE: PBT.
- DIMENSION :
 TAPE REEL: $\phi 330\text{mm} \times 37.1\text{mm}$
 SHIPPING CARTON: L=350mm, W=350mm, H=350mm
- QUANTITY :
 PRIMARY PACKING: 300PCS/REEL
 SECONDARY PACKING: 8 REELS/CARTON(2,400PCS).
- WEIGHT :
 NET WEIGHT: 0.44KG/REEL, 4.00 KG/CARTON.
 GROSS WEIGHT: 1.81 KG/REEL, 9.05 KG/CARTON.
- PEELING RESISTANCE: 20G TO 130G.
- PEELING SPEED: 300MM/MIN.



9.05 Kg	4.00 Kg	300	8	2400	6-1734081-2
GROSS WEIGHT	NET WEIGHT	PCS/REEL	REELS /CARTON	QUANTITY	PART NUMBER

THIS DRAWING IS A CONTROLLED DOCUMENT.		DWN	TE Connectivity USB CONNECTOR, RECEPTACLE 4 POSITION, SERIES A			
DIMENSIONS:	TOLERANCES UNLESS OTHERWISE SPECIFIED:	CHK				
MM		APVD				
		PRODUCT SPEC				
		APPLICATION SPEC	SIZE	CAGE CODE	DRAWING NO	RESTRICTED TO
MATERIAL	FINISH	WEIGHT	A3	00779	C=1734081	-
CUSTOMER DRAWING			SCALE	SHEET	11 of 19	REV E 1

4

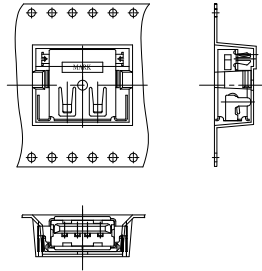
3

2

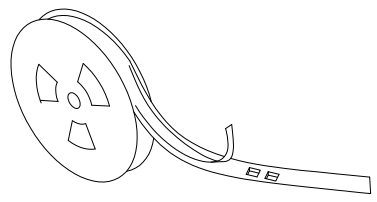
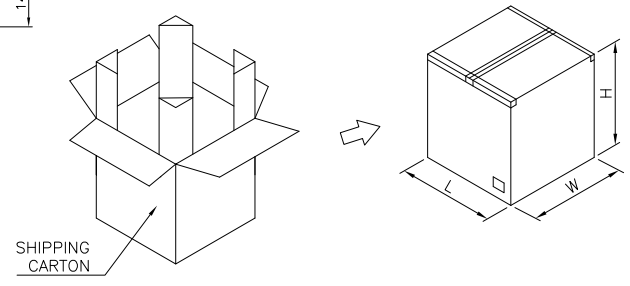
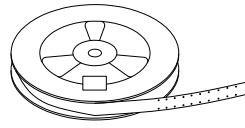
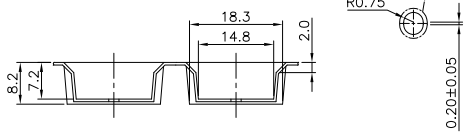
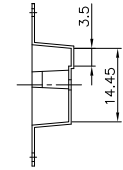
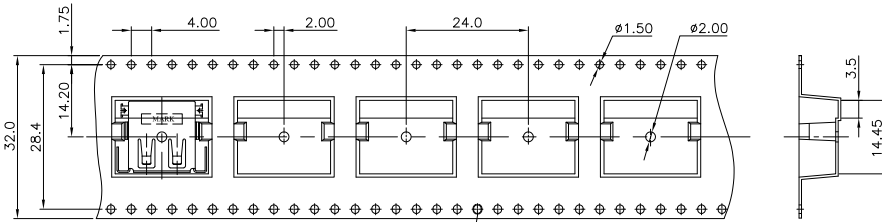
1

THIS DRAWING IS UNPUBLISHED. RELEASED FOR PUBLICATION
 © COPYRIGHT - BY - ALL RIGHTS RESERVED.

LOC	DIST	REVISIONS				
P	LTR	DESCRIPTION	DATE	DWN	APVD	
		SEE SHEET 1.				



- NOTES:
1. MATERIAL:
 REEL: PS.
 EMBOSSED CARRIER: PS.
 COVER TAPE: PBT.
 2. DIMENSION :
 TAPE REEL: $\phi 330\text{mm} \times 37.1\text{mm}$
 SHIPPING CARTON: L=350mm, W=350mm, H=350mm
 3. QUANTITY :
 PRIMARY PACKING: 300PCS/REEL
 SECONDARY PACKING: 8 REELS/CARTON(2,400PCS).
 4. WEIGHT :
 NET WEIGHT: 0.44KG/REEL, 4.00 KG/CARTON.
 GROSS WEIGHT: 1.81 KG/REEL, 9.05 KG/CARTON.
 5. PEELING RESISTANCE: 20G TO 130G.
 6. PEELING SPEED: 300MM/MIN.



9.05 Kg	4.00 Kg	300	8	2400	6-1734081-3
GROSS WEIGHT	NET WEIGHT	PCS/REEL	REELS/CARTON	QUANTITY	PART NUMBER

THIS DRAWING IS A CONTROLLED DOCUMENT.

DIMENSIONS: MM	TOLERANCES UNLESS OTHERWISE SPECIFIED: 0 PLC ± 1 PLC ± 2 PLC ± 3 PLC ± 4 PLC ± ANGLES ±	DWN CHK APVD PRODUCT SPEC APPLICATION SPEC WEIGHT	TE Connectivity NAME USB CONNECTOR, RECEPTACLE 4 POSITION, SERIES A SIZE: A3 CAGE CODE: 00779 DRAWING NO: 1734081 RESTRICTED TO:
MATERIAL	FINISH	CUSTOMER DRAWING	SCALE: SHEET 12 of 19 REV E 1

4

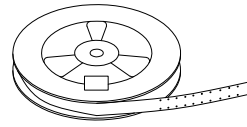
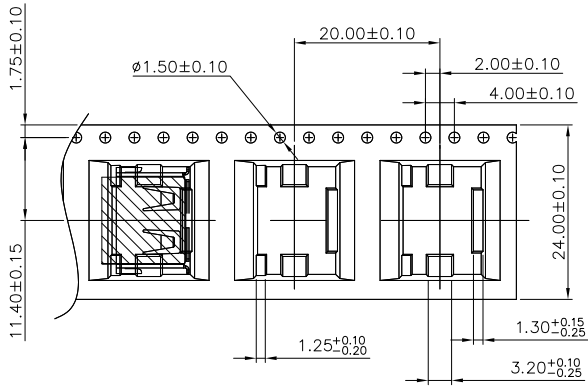
3

2

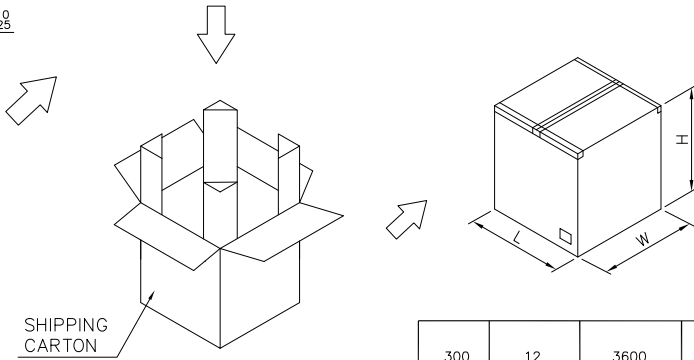
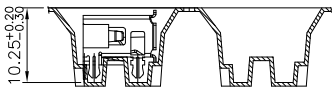
1

THIS DRAWING IS UNPUBLISHED. RELEASED FOR PUBLICATION
 © COPYRIGHT - BY - ALL RIGHTS RESERVED.

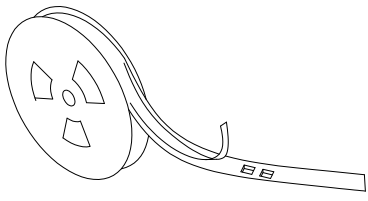
LOC	DIST	REVISIONS				
P	LTR	DESCRIPTION	DATE	DWN	APVD	
-	-	SEE SHEET 1.	-	-	-	



- NOTES:
- MATERIAL:
 REEL: PS.
 EMBOSSED CARRIER: PS.
 COVER TAPE: PBT.
 - DIMENSION :
 TAPE REEL: $\phi 330\text{mm} \times 29.5\text{mm}$
 SHIPPING CARTON: L=350mm, W=350mm, H=400mm
 - QUANTITY :
 PRIMARY PACKING: 300PCS/REEL
 SECONDARY PACKING: 12 REELS/CARTON(3600PCS).
 - WEIGHT :
 NET WEIGHT: 0.46 KG/REEL, 5.55 KG/CARTON.
 GROSS WEIGHT: 0.89 KG/REEL, 10.65 KG/CARTON.
 - PEELING RESISTANCE: 20G TO 130G.
 - PEELING SPEED: 300MM/MIN.



300	12	3600	10.65	5.55	5-1734081-3
					5-1734081-2
					5-1734081-1
PCS/REEL	REELS/BOX	QUANTITY (PCS)	G/W (Kg)	N/W (Kg)	PART NUMBER



THIS DRAWING IS A CONTROLLED DOCUMENT.

DIMENSIONS: MM	TOLERANCES UNLESS OTHERWISE SPECIFIED:	DWN	TE Connectivity		
0 PLC ± -	1 PLC ± -	CHK	NAME		
2 PLC ± -	3 PLC ± -	APVD	USB CONNECTOR, RECEPTACLE 4 POSITION, SERIES A		
4 PLC ± -	ANGLES ± -	PRODUCT SPEC	SIZE	CAGE CODE	DRAWING NO
MATERIAL	FINISH	APPLICATION SPEC	A3	00779	C=1734081
		WEIGHT	CUSTOMER DRAWING		RESTRICTED TO
			SCALE	SHEET	REV
			-	13 of 19	E 1

4

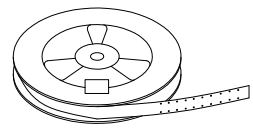
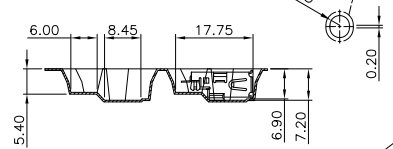
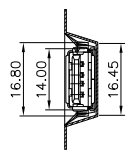
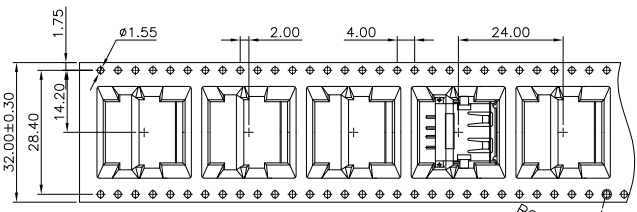
3

2

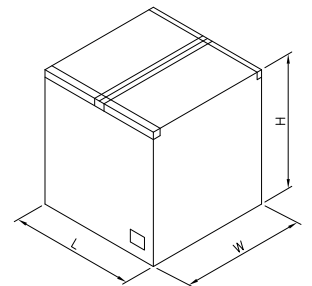
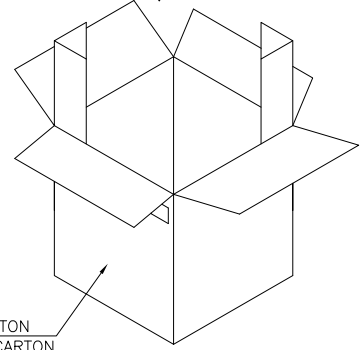
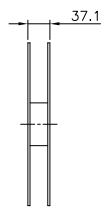
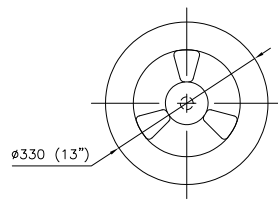
1

THIS DRAWING IS UNPUBLISHED. RELEASED FOR PUBLICATION
 © COPYRIGHT - BY - ALL RIGHTS RESERVED.

LOC		DIST		REVISIONS				
P	LTR	DESCRIPTION			DATE	DWN	APVD	
-	-	SEE SHEET 1.			-	-	-	

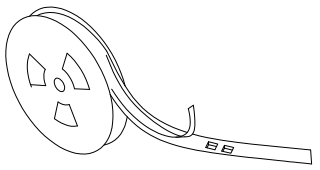


- NOTES:
- MATERIAL:
 REEL: PS.
 EMBOSSED CARRIER: PS.
 COVER TAPE: PBT.
 - DIMENSION :
 TAPE REEL: $\phi 330\text{mm} \times 37.1\text{mm}$
 SHIPPING CARTON: L=350mm, W=350mm, H=350mm
 - QUANTITY :
 PRIMARY PACKING: 350PCS/REEL
 SECONDARY PACKING: 9 REELS/CARTON.(3150 PCS)
 - WEIGHT :
 NET WEIGHT: 4.85 kg .
 GROSS WEIGHT: 9.85 kg .
 - PEELING RESISTANCE: 20G TO 130G.
 - PEELING SPEED: 300MM/MIN.



SHIPPING CARTON
 9 TAPE-REEL/ CARTON

9.85 Kg	4.85 Kg	350	9	3150	3-1734081-1
GROSS WEIGHT	NET WEIGHT	PCS/REEL	REELS/CARTON	QUANTITY	PART NUMBER



THIS DRAWING IS A CONTROLLED DOCUMENT.		DWN	TE Connectivity USB CONNECTOR, RECEPTACLE 4 POSITION, SERIES A			
DIMENSIONS:	TOLERANCES UNLESS OTHERWISE SPECIFIED:	CHK				
MM	0 PLC ± -	APVD				
	1 PLC ± -	PRODUCT SPEC				
	2 PLC ± -	APPLICATION SPEC	SIZE	CAGE CODE	DRAWING NO	RESTRICTED TO
	3 PLC ± -	WEIGHT	A3	00779	C=1734081	-
MATERIAL	FINISH	CUSTOMER DRAWING	SCALE	SHEET	14 of 19	REV E 1

4

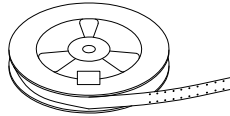
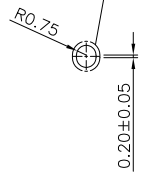
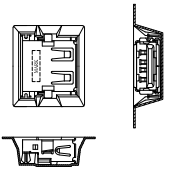
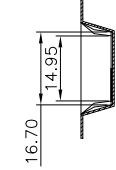
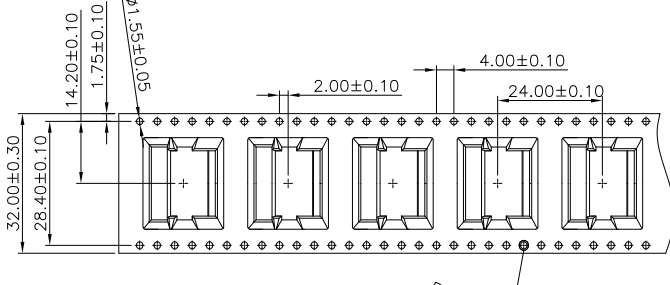
3

2

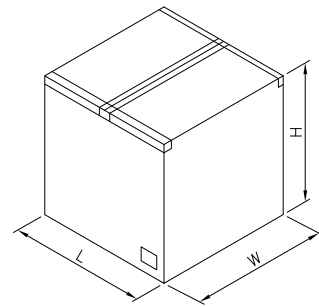
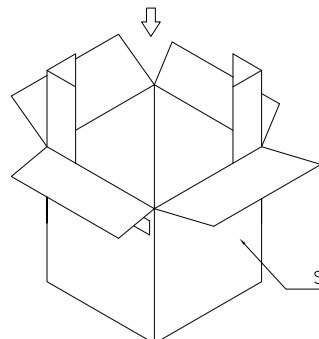
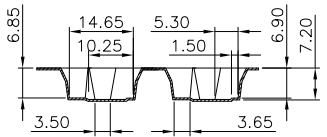
1

THIS DRAWING IS UNPUBLISHED. RELEASED FOR PUBLICATION
 © COPYRIGHT - BY - ALL RIGHTS RESERVED.

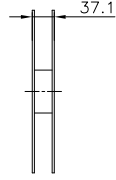
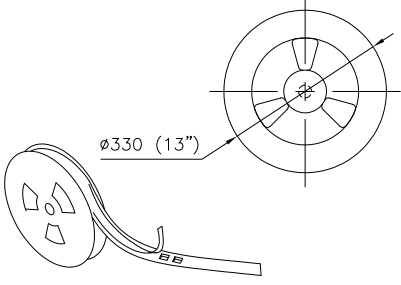
LOC		DIST		REVISIONS				
P	LTR	DESCRIPTION			DATE	DWN	APVD	
-	-	SEE SHEET 1.			-	-	-	



- NOTES:
- MATERIAL:
 REEL: PS.
 EMBOSSED CARRIER: PS.
 COVER TAPE: PBT.
 - DIMENSION :
 TAPE REEL: $\varnothing 330\text{mm} \times 37.1\text{mm}$
 SHIPPING CARTON: L=350mm, W=350mm, H=350mm
 - QUANTITY :
 PRIMARY PACKING: 350PCS/REEL
 SECONDARY PACKING: 9 REELS/CARTON(3,150PCS).
 - WEIGHT :
 NET WEIGHT: 0.55 KG/REEL, 4.85 KG/CARTON.
 GROSS WEIGHT: 1.09 KG/REEL, 9.85 KG/CARTON.
 - PEELING RESISTANCE: 20G TO 130G.
 - PEELING SPEED: 300MM/MIN.



SHIPPING CARTON



9.85 Kg	4.85 Kg	350	9	3150	7-1734081-1
GROSS WEIGHT	NET WEIGHT	PCS/REEL	REELS /CARTON	QUANTITY	PART NUMBER
					2-1734081-3

THIS DRAWING IS A CONTROLLED DOCUMENT.

DIMENSIONS: MM	TOLERANCES UNLESS OTHERWISE SPECIFIED: 0 PLC ± - 1 PLC ± - 2 PLC ± - 3 PLC ± - 4 PLC ± - ANGLES ± -	DWN	CHK	APVD	PRODUCT SPEC	APPLICATION SPEC	WEIGHT	CUSTOMER DRAWING	

STE TE Connectivity

NAME: USB CONNECTOR, RECEPTACLE 4 POSITION, SERIES A

SIZE	CAGE CODE	DRAWING NO	RESTRICTED TO
A3	00779	C=1734081	-

SCALE: - SHEET: 15 of 19 REV: E1

4

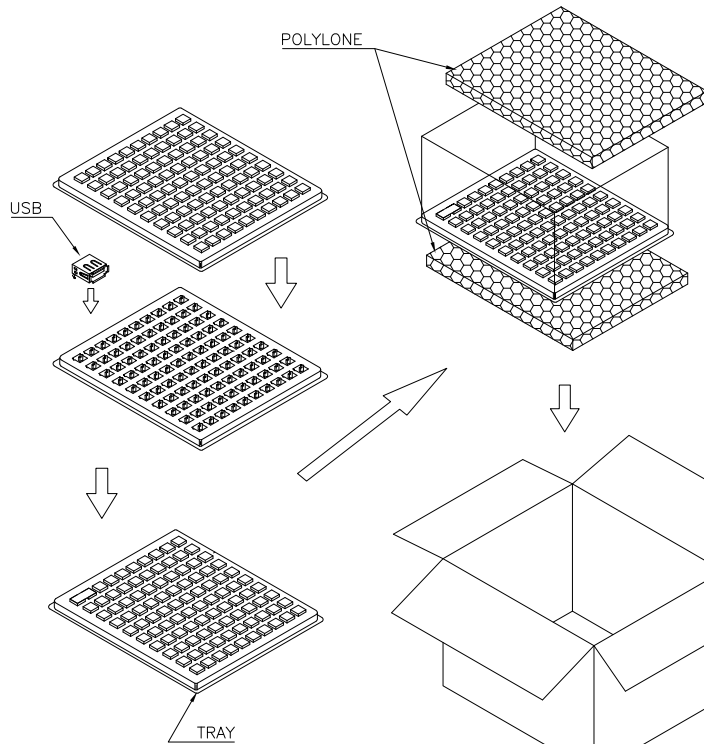
3

2

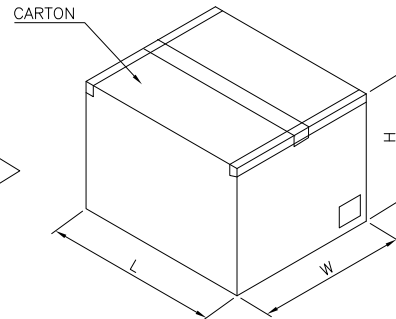
1

THIS DRAWING IS UNPUBLISHED. RELEASED FOR PUBLICATION
 © COPYRIGHT - BY - ALL RIGHTS RESERVED.

LOC	DIST	REVISIONS				
P	LTR	DESCRIPTION	DATE	DWN	APVD	
-	-	SEE SHEET 1.	-	-	-	



- NOTES:
- DIMENSION :
 TRAY : L=295mm, W=252mm, H=14mm
 SHIPPING CARTON: L=315mm, W=270mm, H=200mm
 POLYSTYRENE : L=290mm, W=250mm, H=10mm
 - QUANTITY :
 PRIMARY PACKING: 100 PCS/TRAY
 SECONDARY PACKING: 10 TRAYS/CARTON
 (1,000PCS)
 - WEIGHT :
 NET WEIGHT: 2.03KG/CARTON.
 GROSS WEIGHT: 3.10KG/CARTON.



3.10 Kg	2.03 Kg	100	10	1000	4-1734081-2
					4-1734081-1
					1-1734081-1
					1734081-2
					1734081-1
GROSS WEIGHT	NET WEIGHT	PCS/TRAY	TRAY /CARTON	QUANTITY	PART NUMBER

THIS DRAWING IS A CONTROLLED DOCUMENT.		DWN			
DIMENSIONS: MM		CHK			
TOLERANCES UNLESS OTHERWISE SPECIFIED:		APVD			
0 PLC ± -		PRODUCT SPEC			
1 PLC ± -		APPLICATION SPEC			
2 PLC ± -		WEIGHT			
3 PLC ± -		CUSTOMER DRAWING			
4 PLC ± -		SCALE			
ANGLES ± -		SHEET			
FINISH		REV			
		16 of 19			

STE TE Connectivity

NAME: USB CONNECTOR, RECEPTACLE 4 POSITION, SERIES A

SIZE: A3 CAGE CODE: 00779 DRAWING NO: 1734081 RESTRICTED TO: -

4

3

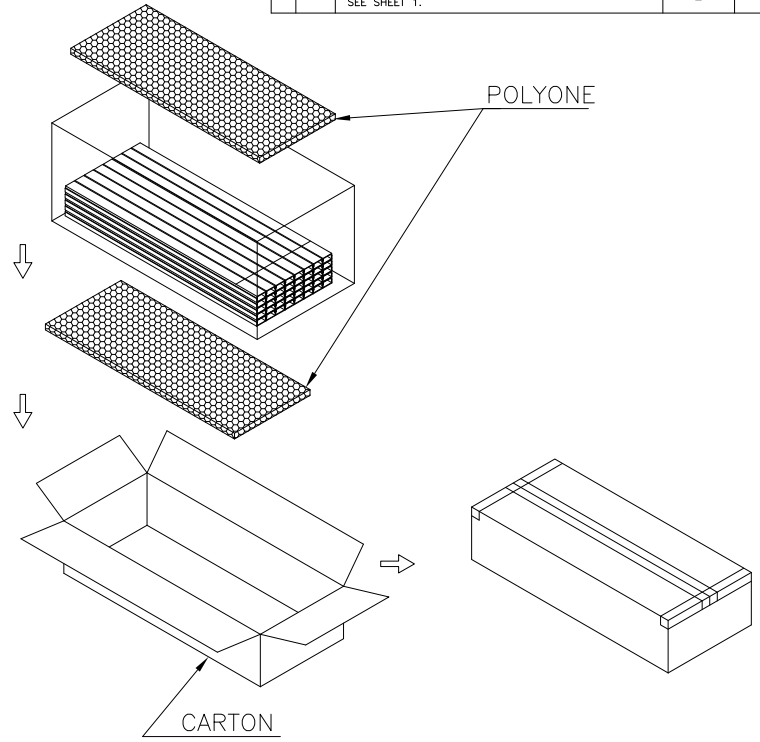
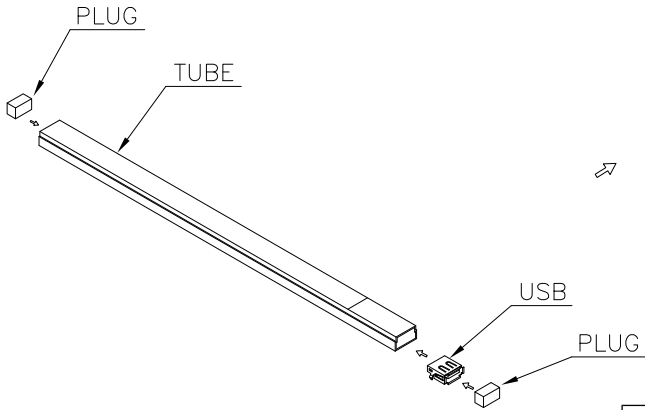
2

1

THIS DRAWING IS UNPUBLISHED. RELEASED FOR PUBLICATION
 © COPYRIGHT - BY - ALL RIGHTS RESERVED.

LOC	DIST	REVISIONS			
P	LTR	DESCRIPTION	DATE	DWN	APVD
-	-	SEE SHEET 1.	-	-	-

- NOTES:
- MATERIAL:
 TRAY: PE.
 POLYLONE: POLYLONE
 SHIPPING CARTON: CORRUGATED FIBER.
 - DIMENSION :
 TUBE : L=370mm, W=18.7mm, H=10.1mm
 SHIPPING CARTON : L=390mm, W=165mm, H=90mm
 - QUANTITY :
 25 PCS/TUBE
 40 TUBES/INNER BOX(1,000PCS)
 - WEIGHT :
 NET WEIGHT : 1.54 KG
 GROSS WEIGHT : 2.45 KG



2.45 Kg	1.54 Kg	25	40	1000	2-1734081-2
GROSS WEIGHT	NET WEIGHT	PCS/TUBE	TUBES /CARTON	QUANTITY	PART NUMBER
					2-1734081-1

THIS DRAWING IS A CONTROLLED DOCUMENT.		DWN	TE Connectivity		
DIMENSIONS: MM		CHK	NAME		
TOLERANCES UNLESS OTHERWISE SPECIFIED:		APVD	USB CONNECTOR, RECEPTACLE 4 POSITION, SERIES A		
0 PLC ± -		PRODUCT SPEC	SIZE		
1 PLC ± -		APPLICATION SPEC	CAGE CODE		
2 PLC ± -		WEIGHT	DRAWING NO		
3 PLC ± -		CUSTOMER DRAWING	RESTRICTED TO		
4 PLC ± -			A3 00779 C=1734081		
ANGLES ± -			SCALE		
FINISH			SHEET 17 of 19		
			REV E 1		

4

3

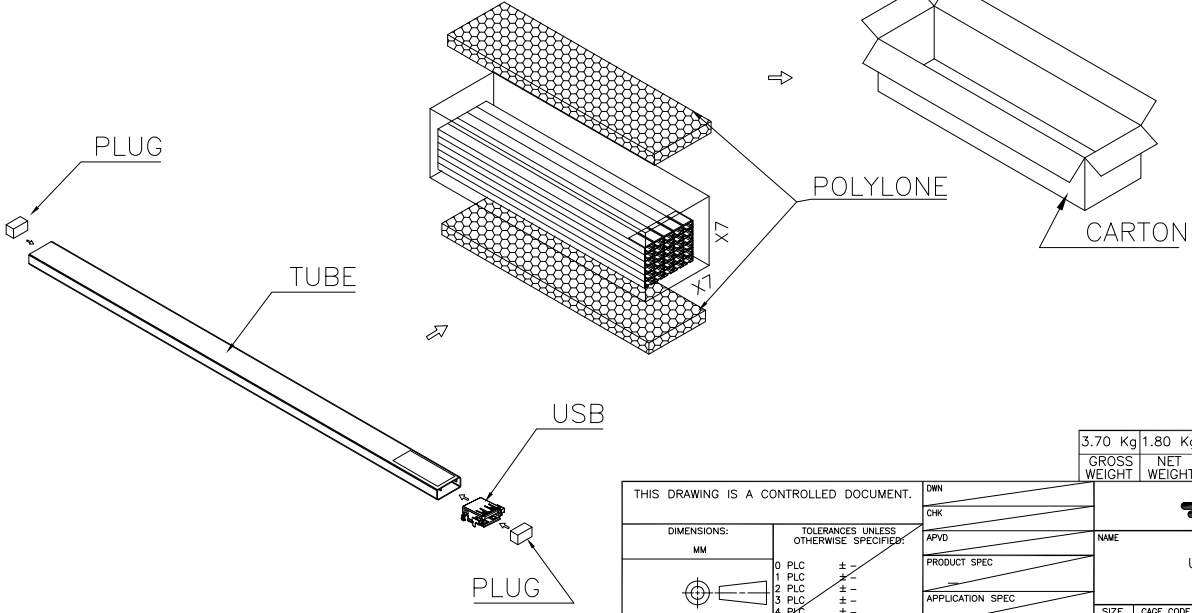
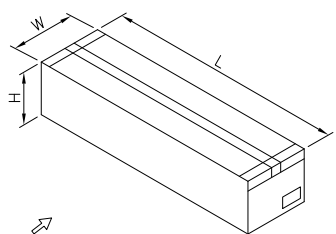
2

1

THIS DRAWING IS UNPUBLISHED. RELEASED FOR PUBLICATION
 © COPYRIGHT - BY - ALL RIGHTS RESERVED.

LOC	DIST	REVISIONS				
P	LTR	DESCRIPTION	DATE	DWN	APVD	
-	-	SEE SHEET 1.	-	-	-	

- NOTE:
- MATERIAL:
 TRAY: PE.
 POLYLONE:POLYLONE
 SHIPPING CARTON: CORRUGATED FIBER.
 - DIMENSION :
 TUBE : L=370mm, W=21.8mm, H=8.6mm
 SHIPPING CARTON : L=390mm, W=165mm, H=90mm
 - QUANTITY :
 25 PCS/TUBE
 49 TUBES/INNER BOX(1,225PCS)
 - WEIGHT :
 NET WEIGHT : 1.80 KG
 GROSS WEIGHT : 3.70 KG



3.70 Kg	1.80 Kg	25	49	1225	6-1734081-1
GROSS WEIGHT	NET WEIGHT	PCS/TUBE	TUBES /CARTON	QUANTITY	PART NUMBER

THIS DRAWING IS A CONTROLLED DOCUMENT.

DIMENSIONS: MM	TOLERANCES UNLESS OTHERWISE SPECIFIED: 0 PLC ± - 1 PLC ± - 2 PLC ± - 3 PLC ± - 4 PLC ± - ANGLES ± -	DWN CHK APVD PRODUCT SPEC APPLICATION SPEC WEIGHT	TE Connectivity NAME USB CONNECTOR, RECEPTACLE 4 POSITION, SERIES A SIZE A3 CAGE CODE 00779 DRAWING NO C=1734081 CUSTOMER DRAWING	RESTRICTED TO
MATERIAL	FINISH	SCALE	SHEET 18 of 19	REV E 1

4

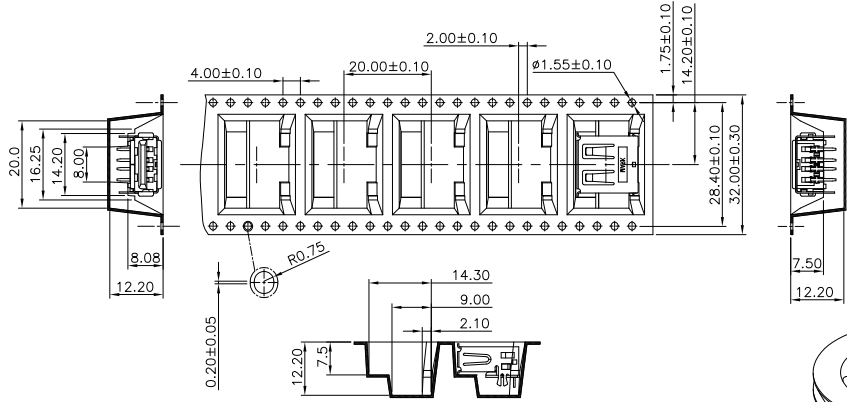
3

2

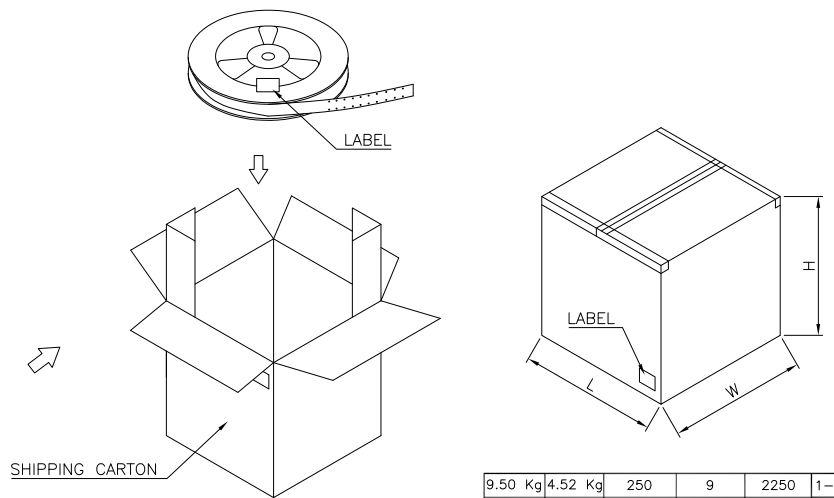
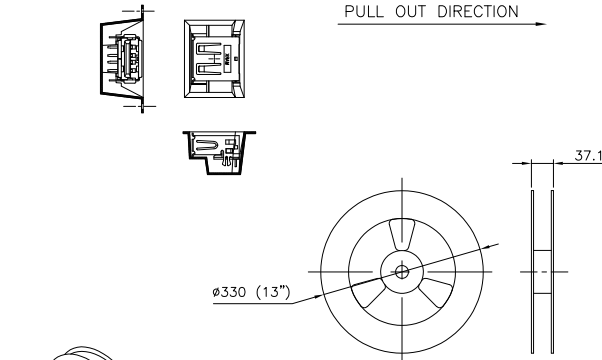
1

THIS DRAWING IS UNPUBLISHED. RELEASED FOR PUBLICATION. ALL RIGHTS RESERVED.

LOC		DIST		REVISIONS				
P	LTR	DESCRIPTION			DATE	DWN	APVD	
-	-	SEE SHEET 1.			-	-	-	



- NOTES:
- MATERIAL:
REEL: PS.
EMBOSSD CARRIER: PS.
COVER TAPE: PBT.
 - DIMENSION:
SHIPPING CARTON: L=350mm,W=350mm, H=350mm
 - PEELING RESISTANCE: 20G TO 130G.
 - PEELING SPEED: 300MM/MIN.



9.50 Kg	4.52 Kg	250	9	2250	1-1734081-5
GROSS WEIGHT	NET WEIGHT	PCS/REEL	REELS /CARTON	QUANTITY	PART NUMBER

THIS DRAWING IS A CONTROLLED DOCUMENT.

DIMENSIONS: MM	TOLERANCES UNLESS OTHERWISE SPECIFIED:	DWN	CHK	APVD	PRODUCT SPEC	APPLICATION SPEC	WEIGHT	CUSTOMER DRAWING
0 PLC	± -							
1 PLC	± -							
2 PLC	± -							
3 PLC	± -							
4 PLC	± -							
ANGLES	± -							
MATERIAL	FINISH							

STE TE Connectivity

NAME: USB CONNECTOR, RECEPTACLE 4 POSITION, SERIES A

SIZE: A3 CAGE CODE: 00779 DRAWING NO: 1734081 RESTRICTED TO: -

SCALE: - SHEET: 19 of 19 REV: E 1