

4

3

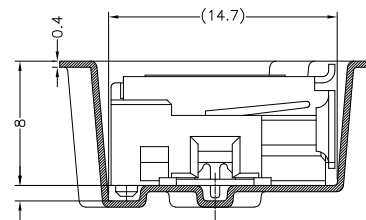
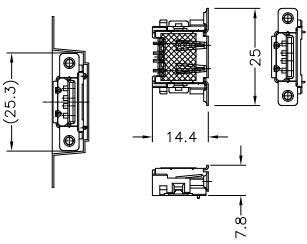
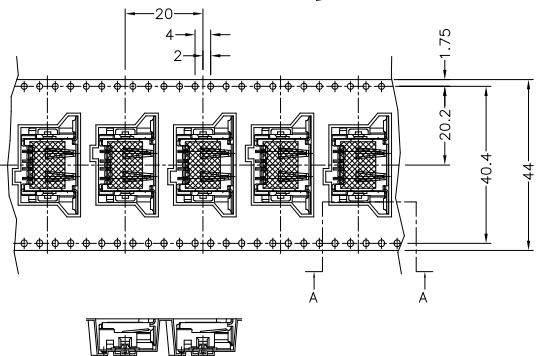
2

1

THIS DRAWING IS UNPUBLISHED. RELEASED FOR PUBLICATION  
 © COPYRIGHT BY TYCO ELECTRONICS CORPORATION. ALL RIGHTS RESERVED.

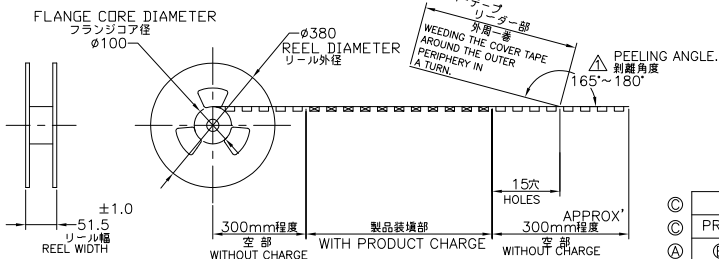
REVISONS		変更			
P	LTR	DESCRIPTION	DATE	DWN	APVD
C		REVISED FJ00-2553-02	7FEB03	N.S	Y.Y
C1		REVISED PER ECO-09-021826	08JAN10	KK	AEG

リール引き出し方向  
 DIRECTION OFF TOP OF REEL



CONNECTOR DETAIL

SECT B-B  
(4:1)



353929-1,2

注記  
 1. PRELIMINARYの製品は、製造を確約するものではありません。  
 Notes  
 1. PRELIMINARY PRODUCT DOES NOT BE PROMISED MANUFACTURE POSITIVELY.  
 △ OBSOLETE PARTS: OBSOLETE CIS STREAMLINING PER D.RENAUD/D.SINISI

③	PRODUCING	BLACK	350	4	1-1674429-2	353929-6
③	PRELIMINARY NOT FOR PRODUCTION	WHITE	350	4	1-1674429-1	△ 353929-5
④	③ PRODUCING	BLACK	350	4	1-353583-4	353929-4
④	PRELIMINARY NOT FOR PRODUCTION	WHITE	350	4	1-353583-3	△ 353929-3
④	PRELIMINARY NOT FOR PRODUCTION	BLACK	350	4	1-353583-2	△ 353929-2
	PRODUCING	WHITE	350	4	1-353583-1	353929-1
	TOOLING STATUS	HOUSING COLOR	QTY	POS	CONN. P/N	PART NO.

THIS DRAWING IS A CONTROLLED DOCUMENT.		DWN Y.WATANABE 19/MAY/97	Tyco Electronics AMP K.K. Kawasaki, Japan	
DIMENSIONS: 単位: 寸 MM	TOLERANCES UNLESS OTHERWISE SPECIFIED: 一般公差	CHK T.YAMADA 19/MAY/97	NAME T.YAMADA 19/MAY/97	
	0 PLC ± ±0.3	PRODUCT SPEC 製品規格 108-5563		
	1 PLC ± ±	APPLICATION SPEC 取付適用規格		
MATERIAL 材料	FINISH 仕上	SIZE A3	CAGE CODE 00779	DRAWING NO 番号 353929
CUSTOMER DRAWING		SCALE 尺度 1:1	SHEET 1 of 3	REV C1

AMP 1470-19 REV 31MAR2000

27SEP2001 7:30pm FJ044147

4

3

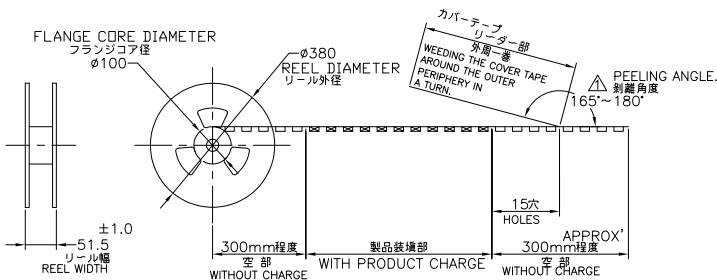
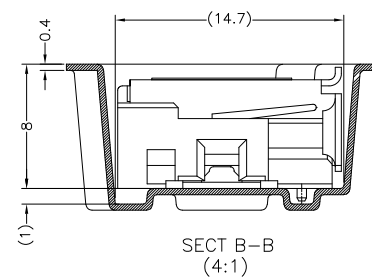
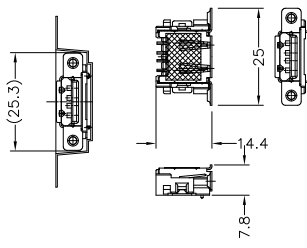
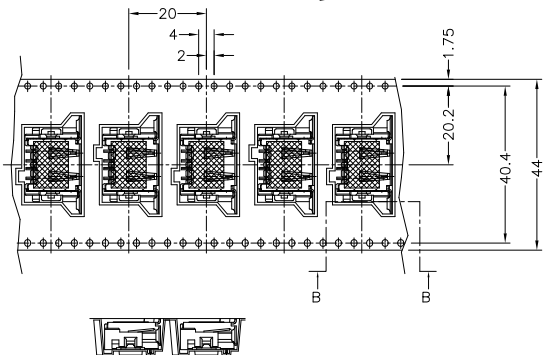
2

1

THIS DRAWING IS UNPUBLISHED. RELEASED FOR PUBLICATION  
 © COPYRIGHT BY TYCO ELECTRONICS CORPORATION. ALL RIGHTS RESERVED.

LOC		DIST		REVISIONS			
J				変更	DATE	DWN	APVD
P	LTR	DESCRIPTION		DATE	DWN	APVD	

リール引き出し方向  
 DIRECTION OFF TOP OF REEL



353929-~~1~~4

THIS DRAWING IS A CONTROLLED DOCUMENT.		DWN	Tyco Electronics AMP K.K. Kawasaki, Japan	
DIMENSIONS: 単位: 種 MM	TOLERANCES UNLESS OTHERWISE SPECIFIED: 数公差	CHK	NAME 名称	EMBOSS ASSY STD TYPE USB CONN. REC. WITH COVER TYPE
	0 PLC ±0.3	APVD	PRODUCT SPEC 製品規格	
	1 PLC ±		APPLICATION SPEC 取付適用規格	
MATERIAL 材料	FINISH 仕上	WEIGHT	SIZE A3	CAGE CODE 00779
			DRAWING NO 番号 353929	RESTRICTED TO -
CUSTOMER DRAWING			SCALE 尺度 1:1	SHEET 2 OF 3
			REV C1	

AMP 1470-19 REV 31MAR2000

27SEP2001 7:30pm FJ044147

4

3

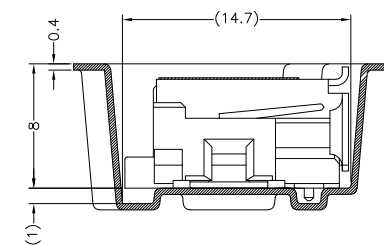
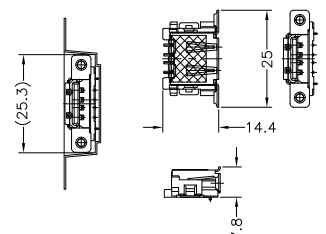
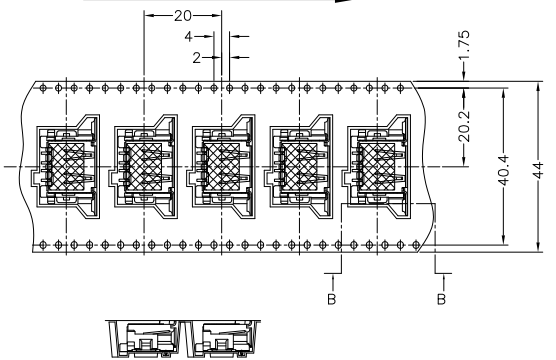
2

1

THIS DRAWING IS UNPUBLISHED. RELEASED FOR PUBLICATION  
 © COPYRIGHT BY TYCO ELECTRONICS CORPORATION. ALL RIGHTS RESERVED.

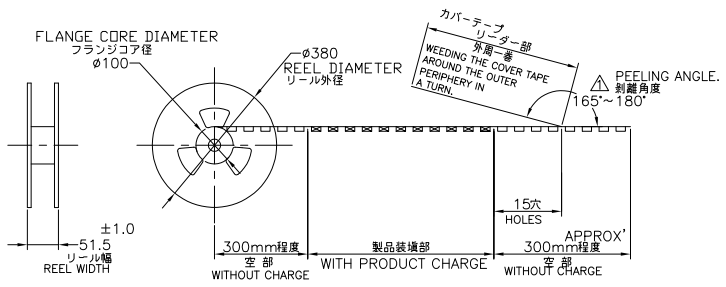
LOC		DIST		REVISIONS			
J				変更			
P	LTR	DESCRIPTION	DATE	DWN	APVD		

リール引き出し方向  
 DIRECTION OFF TOP OF REEL



CONNECTOR DETAIL

SECT B-B  
(4:1)



353929-8,6

THIS DRAWING IS A CONTROLLED DOCUMENT.		DWN	Tyco Electronics AMP K.K. Kawasaki, Japan	
DIMENSIONS: 単位: 寸 MM		CHK	NAME 名称	
TOLERANCES UNLESS OTHERWISE SPECIFIED: 公差		APVD	EMBOSS ASSY STD TYPE USB CONN. REC. WITH COVER TYPE	
0 PLC ±0.3		PRODUCT SPEC	SIZE A3	
1 PLC ±		製品規格	CAGE CODE 00779	DRAWING NO 番号 353929
2 PLC ±		APPLICATION SPEC	RESTRICTED TO	
3 PLC ±		取付適用規格	—	
4 PLC ±		WEIGHT	SCALE 尺度 1:1	
ANGLES ±5°		CUSTOMER DRAWING	SHEET 3 OF 3	
FINISH 仕上			REV C1	

AMP 1470-19 REV 31MAR2000  
 27SEP2001 7:30pm FJ044147