

4

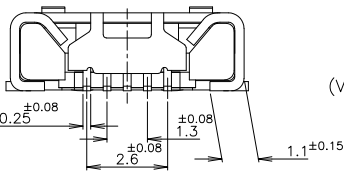
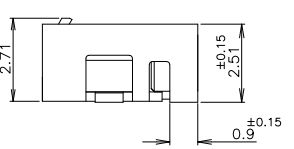
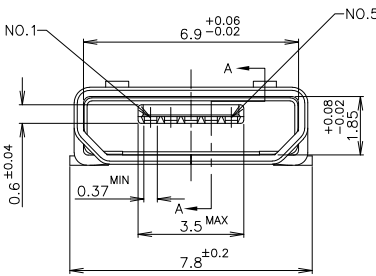
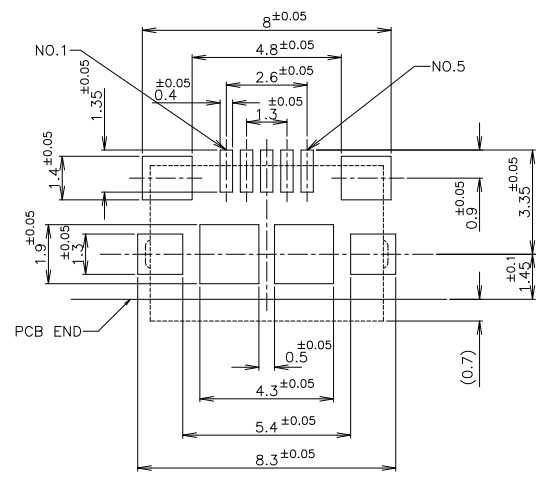
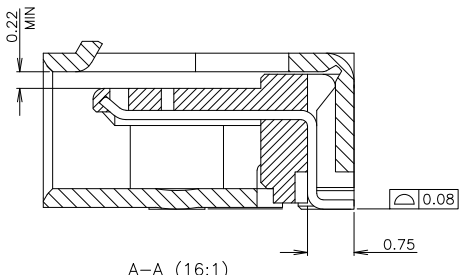
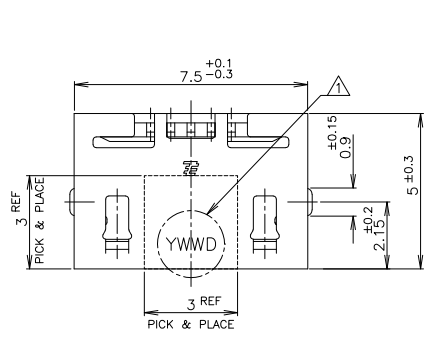
3

2

1

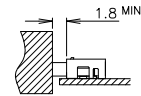
THIS DRAWING IS UNPUBLISHED. RELEASED FOR PUBLICATION NOV. 2011.
 © COPYRIGHT 2011 By Tyco Electronics Japan G.K. ALL RIGHTS RESERVED.

LOC		DIST		REVISIONS			
P	LTR	DESCRIPTION		DATE	DWN	APVD	
A		RELEASED		08NOV2011	C.O	T.K	



PCB LAYOUT (REFERENCE)
 (VIEWED FROM CONNECTOR MOUNT SIDE)

DISTANCE BETWEEN PLUG & RECE



(REFERENCE DIMENSION)

△ LASER MARKING: YWWD
 DATE CODE (YEAR, WEEK, DAY)

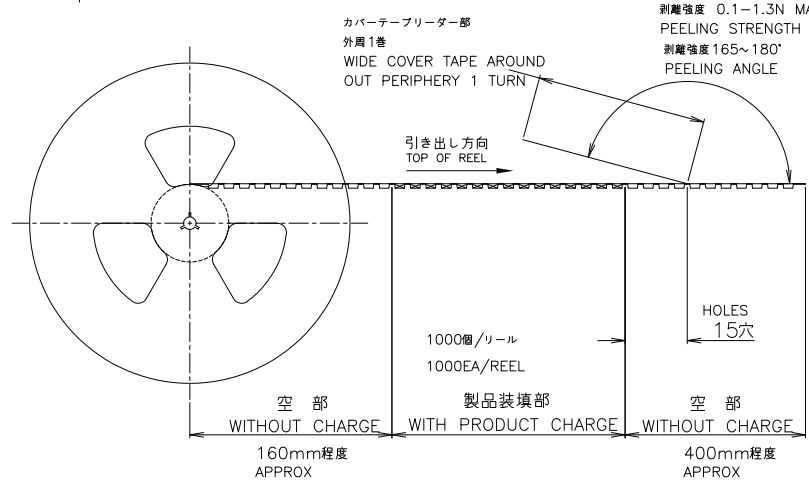
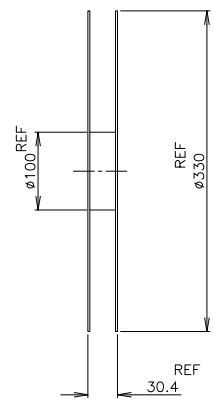
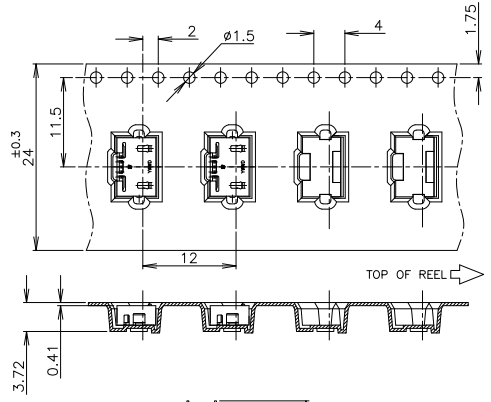
- OVERALL TOLERANCE: ±0.2
- MATERIAL HOUSING: THERMOPLASTIC RESIN UL94V-0
 CONTACT: COPPER ALLOY
 SHELL : STAINLESS STEEL (APPLIED GREASE AT LOCK POSITION)
- FINISH CONTACT: Ni UNDER PL
 Au PL
 SHELL : Ni UNDER PL
 Sn PL
- PREVENTION OF WRENCHING
 PLEASE HOLD THE TOP AND THE SIDE OF CONNECTOR BY THE CASE.
- PREVENTION OF HITTING DURING PLUG INSERTION
 PLEASE SET THE INSERTION GUIDE ALONG THE MATING SURFACE.

2174507-2
 PART NUMBER

THIS DRAWING IS A CONTROLLED DOCUMENT.		DWN C.OHASHI 07NOV2011	TE Connectivity MICRO USB RECEPTACLE STANDARD 2DIP TYPE B FLANGELESS		RESTRICTED TO —
DIMENSIONS: 単位:mm TOLERANCES UNLESS OTHERWISE SPECIFIED: 公差:mm 0 PLC ±- 1 PLC ±- 2 PLC ±- 3 PLC ±- 4 PLC ±- BCC ANGLES ±-		CHK A.KUBO 08NOV2011			
		APVD I.KUSUHARA 08NOV2011	PRODUCT SPEC 製品規格 108-78434	SIZE A3	CAGE CODE 00779
MATERIAL 材料		FINISH 仕上	APPLICATION SPEC 取付適用規格 408-78009	DRAWING NO. 番号 2174507	SCALE 尺度 8:1
CUSTOMER DRAWING			WEIGHT 0.22g	SHEET 1 of 3	REV A

THIS DRAWING IS UNPUBLISHED. RELEASED FOR PUBLICATION APR. 2011.
 © COPYRIGHT 2011 By Tyco Electronics Japan G.K. ALL RIGHTS RESERVED.

LOC		DIST		REVISIONS			
				変更			
P	LTR	DESCRIPTION		DATE	DWN	APVD	
-	-	SEE SHEET 1		-	-	-	-



THIS DRAWING IS A CONTROLLED DOCUMENT.		DWN	STE TE Connectivity	
DIMENSIONS: 単位: 概 mm		CHK		
TOLERANCES UNLESS OTHERWISE SPECIFIED: 一般公差		APVD	NAME 名称: MICRO USB RECEPTACLE STANDARD 2DIP TYPE B FLANGELESS	
0 PLC ±		PRODUCT SPEC 製品規格		SIZE: A3
1 PLC ±		APPLICATION SPEC 取付適用規格		CAGE CODE: 00779
2 PLC ±		WEIGHT		DRAWING NO. 番号: 2174507
3 PLC ±		CUSTOMER DRAWING		RESTRICTED TO: -
4 PLC ±		SCALE 尺度: NTS		SHEET 2 of 3
ANGLES ±		FINISH 仕上		REV A

4

3

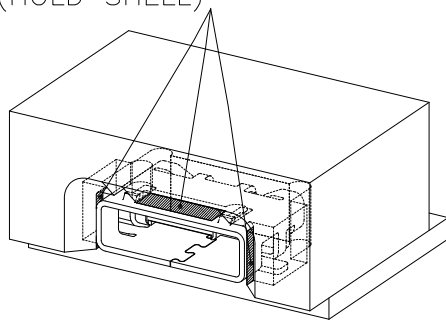
2

1

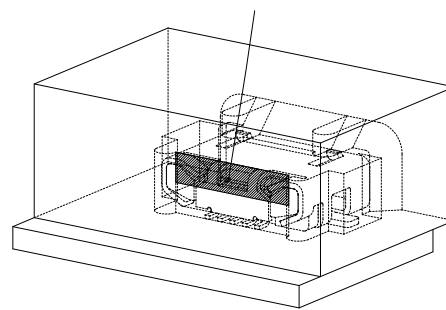
THIS DRAWING IS UNPUBLISHED. RELEASED FOR PUBLICATION APR. 2011.
 © COPYRIGHT 2011 By Tyco Electronics Japan G.K. ALL RIGHTS RESERVED.

LOC		DIST		REVISIONS			
J		-		変更			
P	LTR	DESCRIPTION		DATE	DWN	APVD	
-	-	SEE SHEET 1		-	-	-	

CONNECTOR INSERTION OPENING
(HOLD SHELL)



CONNECTOR BACK SIDE
(HOLD SHELL AND HOUSING)



GUIDE CASE FOR WRENCHING (REFERENCE)

THIS DRAWING IS A CONTROLLED DOCUMENT.		DWN	TE TE Connectivity		
DIMENSIONS: 単位: 概 mm		CHK			
	TOLERANCES UNLESS OTHERWISE SPECIFIED: 一般公差	APVD	NAME 名称		
	0 PLC ± -	PRODUCT SPEC 製品規格			
	1 PLC ± -	APPLICATION SPEC 取付適用規格			
	2 PLC ± -	WEIGHT			
MATERIAL 材料	FINISH 仕上	SIZE A3	CAGE CODE 00779	DRAWING NO. 番号 C-2174507	RESTRICTED TO -
CUSTOMER DRAWING			SCALE 尺度 NTS	SHEET 3 of 3	REV A