

4

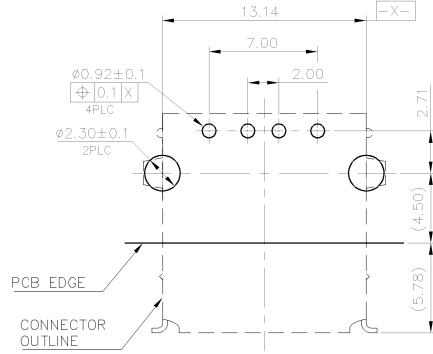
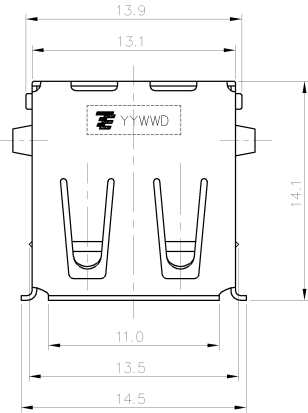
3

2

1

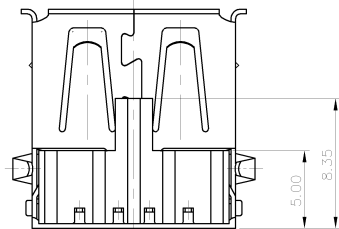
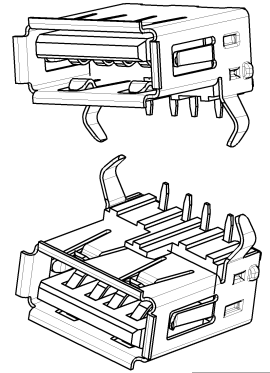
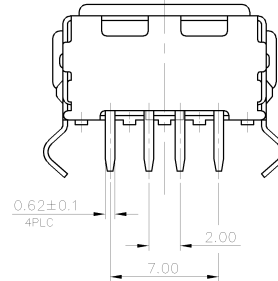
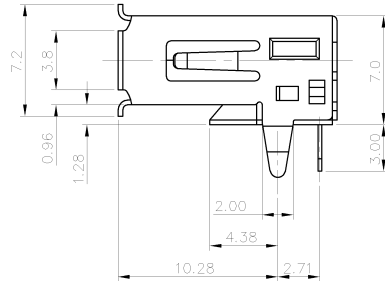
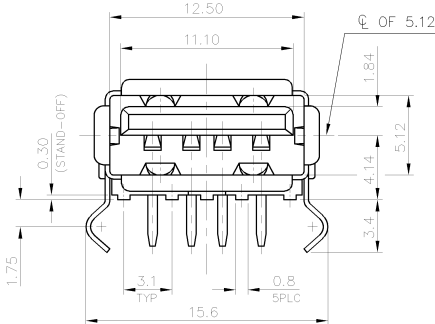
THIS DRAWING IS UNPUBLISHED. RELEASED FOR PUBLICATION AUG 2006  
 © COPYRIGHT BY TYCO ELECTRONICS CORPORATION. ALL RIGHTS RESERVED.

LOC		DIST		REVISIONS			
P	LTR	DESCRIPTION		DATE	DWN	APVD	
	A	RELEASED		25JUN'10	E.L.	W.K.	



- NOTES:
- MATERIAL:
    - HOUSING: PA46 WITH 30% G.F, UL94 V-0, COLOR: NATURE.
    - CONTACT: BRASS, THICKNESS=0.25mm
    - SHELL: SPCC, THICKNESS=0.3mm
  - FINISH:
    - CONTACT:
      - GOLD FLASH PLATING ON CONTACT AREA.
      - 2.54um[100u"] MIN. BRIGHT-TIN PALTING ON SOLDER TAIL AREA.
      - 1.27um[50u"] MIN. NICKEL UNDERPLATING OVERALL.
    - SHELL:
      - 1.27um[100u"] MIN. NICKEL PLATING.
  - WAVE SOLDER CAPABLE TO 240°C MAX. PER TE SPEC. 109-202, CONDITION A.

RECOMMENDED P.C.B LAYOUT (COMPONENT SIDE)  
 PCB THICKNESS: 1.2~1.8mm, TOLERACNE: ±0.05



2041284-1  
 PART NUMBER

THIS DRAWING IS A CONTROLLED DOCUMENT.		DWN E. LIU 25JUN2010	Tyco Electronics Corporation Taipei, Taiwan	
DIMENSIONS: MM		CHK S. CHIEN 25JUN2010	NAME	
TOLERANCES UNLESS OTHERWISE SPECIFIED:		APVD W. KODAMA 25JUN2010	PRODUCT SPEC 108-57838	
0 PLC ± -		APPLICATION SPEC		
1 PLC ± 0.3		SIZE CAGE CODE DRAWING NO		
2 PLC ± 0.2		A300779 C-2041284		
3 PLC ± 0.15		RESTRICTED TO		
4 PLC ± -		WEIGHT 1.88 GRAMS		
ANGLES ± 3°		CUSTOMER DRAWING		
MATERIAL SEE NOTE		FINISH SEE NOTE		
		SCALE SHEET 1 OF 2 REV A		

4

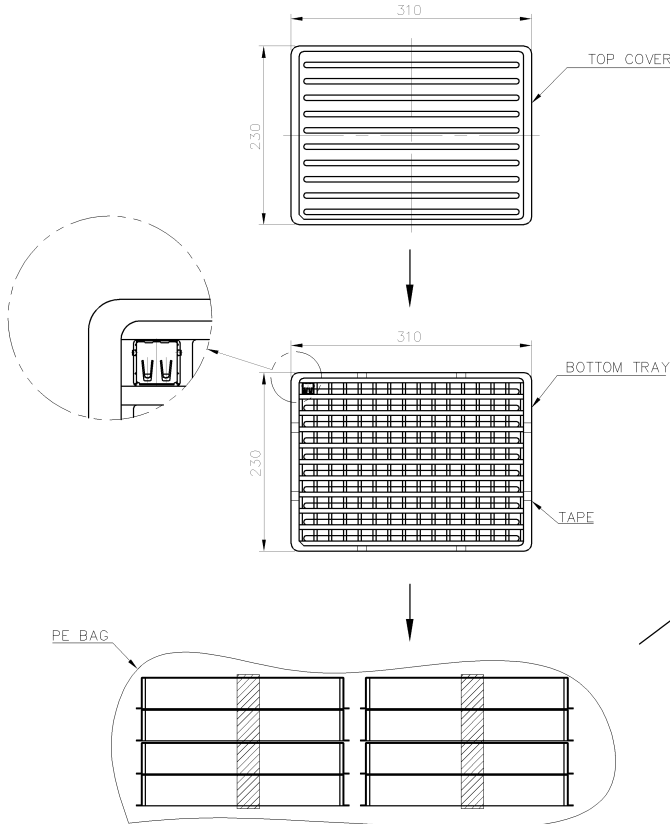
3

2

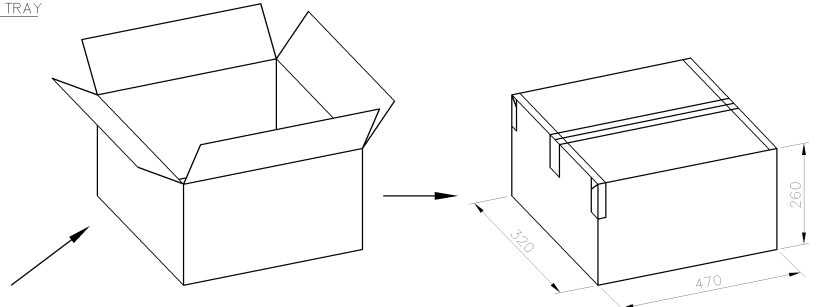
1

THIS DRAWING IS UNPUBLISHED. RELEASED FOR PUBLICATION AUG 2006  
 COPYRIGHT © BY TYCO ELECTRONICS CORPORATION. ALL RIGHTS RESERVED.

LOC	DIST	REVISIONS				
P	LTR	DESCRIPTION	DATE	DWN	APVD	
		SEE SHEET 1.				



- MATERIAL:  
 BOTTOM TRAY: PE.  
 TOP TRAY: PE.  
 BAG: PE.  
 BOX: CORRUGATED FIBER.
- DIMENSION:  
 BOTTOM TRAY: L=310mm, W=230mm, H=12.5mm  
 TOP TRAY: L=310mm, W=230mm, H=12.5mm  
 BOX: L=470mm, W=320mm, H=260mm  
 BAG: 495mm\*320mm\*400mm



12.95 Kg	10.15 Kg	150	36	5400	2041284-1
GROSS WEIGHT	NET WEIGHT	PCS/ TRAY	TRAY/ BOX	PCS/ BOX	PART NUMBER

THIS DRAWING IS A CONTROLLED DOCUMENT.		DWN	Tyco Electronics Corporation Taipei, Taiwan		
DIMENSIONS:	TOLERANCES UNLESS OTHERWISE SPECIFIED:	CHK	NAME	USB CONNECTOR RECEPTACLE ASSY, A SERIES R/A, DIP TYPE, H=7.0mm	
MM	0 PLC ± -	APVD	PRODUCT SPEC	SIZE	RESTRICTED TO
	1 PLC ± 0.3	APPLICATION SPEC	WEIGHT	A300779	
	2 PLC ± 0.2			C=2041284	
	3 PLC ± 0.15				
	4 PLC ± -				
	ANGLES ± 3°				
MATERIAL	FINISH	CUSTOMER DRAWING	SCALE	SHEET 2 OF 2	REV A