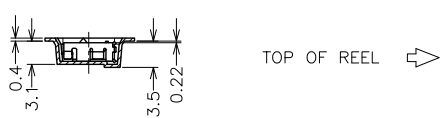
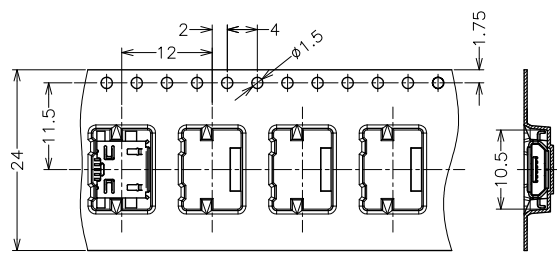
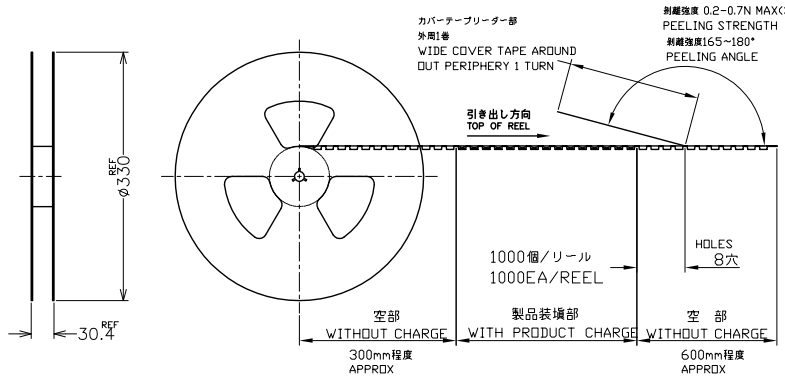


4 3 2 1

THIS DRAWING IS UNPUBLISHED. RELEASED FOR PUBLICATION  
 © COPYRIGHT - By - ALL RIGHTS RESERVED.

LOC		DIST		REVISIONS			
P	LTR	DESCRIPTION		DATE	DWN	APVD	
-	-	SEE SHEET 1		-	-	-	-



THIS DRAWING IS A CONTROLLED DOCUMENT.		DWN	-		TE Connectivity
DIMENSIONS: 単位: 種 mm		CHK	-		
TOLERANCES UNLESS OTHERWISE SPECIFIED: 一般公差		APVD	-		NAME 名称
0 PLC ±- 1 PLC ±- 2 PLC ±- 3 PLC ±- 4 PLC ±- ANGLES ±-		PRODUCT SPEC	製品規格		MICRO USB CONNECTOR MID-MOUNT DIP
MATERIAL 材料		APPLICATION SPEC	取付適用規格		SIZE
FINISH 仕上		WEIGHT	A3		CAGE CODE
			00779		DRAWING NO
			C=2040343		番号
			CUSTOMER DRAWING		RESTRICTED TO
			SCALE 尺数 NTS		SHEET 2 of 2
					REV B