

4

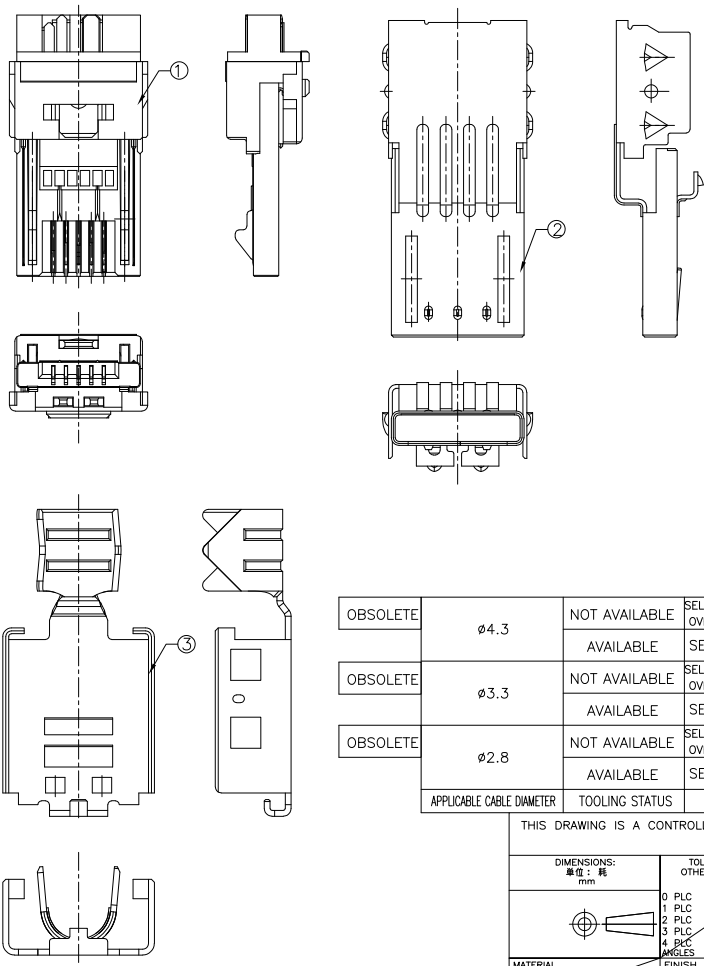
3

2

1

THIS DRAWING IS UNPUBLISHED. RELEASED FOR PUBLICATION .2007.
 © COPYRIGHT 2007 By -- ALL RIGHTS RESERVED.

LOC	DIST	REVISIONS					
J		P	LTR	DESCRIPTION	DATE	DWN	APVD
		E		REVISED PER ECR-11-014079	15NOV2011	T.T	J.T



1. ITEM 2 AND 3 ARE NOT ASSEMBLED.
 2. PACKAGING QUANTITY : 550 KIT

APPLICABLE CABLE DIAMETER	TOOLING STATUS	CONTACT FINISH	PART NO. FOR KIT	DESCRIPTION	PART NO.	ITEM
Ø4.3	NOT AVAILABLE	SELECTIVE Au PLATED OVER Ni-Pd PLATED OVER Ni PLATED	4-1939053-3	LOWER SHELL	1-1939061-6	○
	AVAILABLE	SELECTIVE Au PLATED OVER Ni PLATED	1939053-3	UPPER SHELL	1-1939059-2	○
Ø3.3	NOT AVAILABLE	SELECTIVE Au PLATED OVER Ni-Pd PLATED OVER Ni PLATED	4-1939053-2	SUB ASSY	1-1939061-6	○
	AVAILABLE	SELECTIVE Au PLATED OVER Ni PLATED	1939053-2	UPPER SHELL	1-1939059-2	○
Ø2.8	NOT AVAILABLE	SELECTIVE Au PLATED OVER Ni-Pd PLATED OVER Ni PLATED	4-1939053-1	SUB ASSY	1-1939079-1	○
	AVAILABLE	SELECTIVE Au PLATED OVER Ni PLATED	1939053-1	UPPER SHELL	1-1939061-4	○

THIS DRAWING IS A CONTROLLED DOCUMENT.		DWN J.TSUJI 06AUG2007	 TE Connectivity MICRO USB I/O PLUG TYPE A KIT	RESTRICTED TO				
DIMENSIONS: 単位: 純 mm		CHK T.KUSUHARA 07AUG2007						
TOLERANCES UNLESS OTHERWISE SPECIFIED: 公差		APVD T.KUSUHARA 07AUG2007						
0 PLC ±- 1 PLC ±- 2 PLC ±- 3 PLC ±- 4 PLC ±- ANGLES ±-		NAME 名						
MATERIAL 材料	FINISH 仕上	WEIGHT	SIZE A3	CAGE CODE 00779	DRAWING NO. 番号 C=1939053	SCALE 尺度 5:1	SHEET 1 of 3	REV E

4

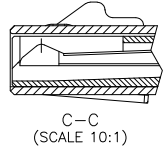
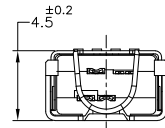
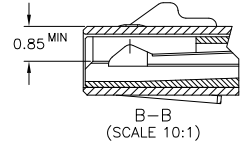
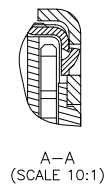
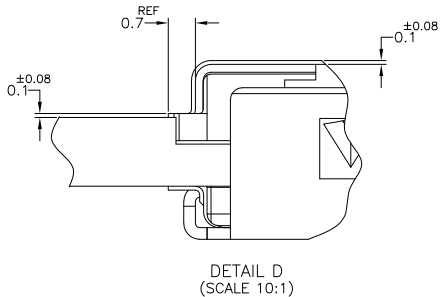
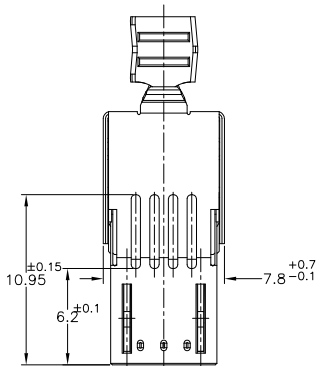
3

2

1

THIS DRAWING IS UNPUBLISHED. RELEASED FOR PUBLICATION .2006.
 © COPYRIGHT 2006 By -- ALL RIGHTS RESERVED.

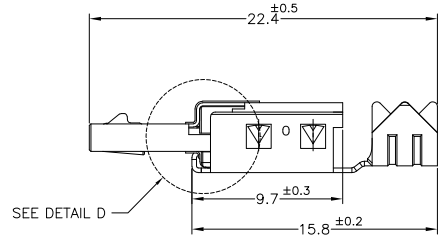
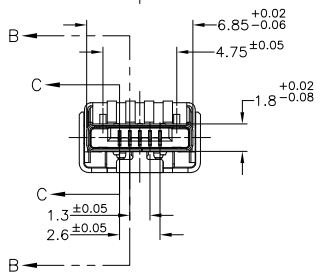
LOC		DIST		REVISIONS			
				變更			
P	LTR	DESCRIPTION		DATE	DWN	APVD	
-	-	SEE SHEET 1		-	-	-	-



C

B

A

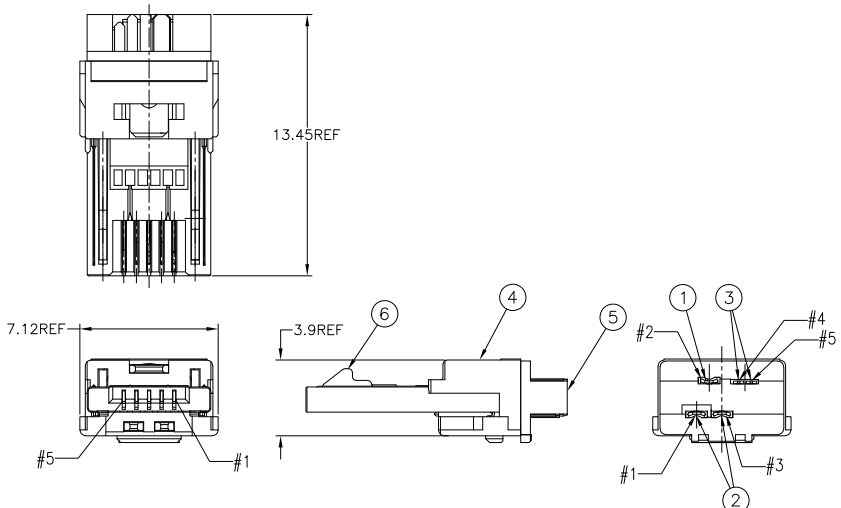


REFERENCE: SHELL ASSEMBLY

THIS DRAWING IS A CONTROLLED DOCUMENT.		DWN	-			MICRO USB I/O PLUG TYPE A KIT		RESTRICTED TO	
DIMENSIONS: 單位: 毫米 mm		CHK	-						
TOLERANCES UNLESS OTHERWISE SPECIFIED: 公差		APVD	-	NAME 名稱		SIZE		CAGE CODE	DRAWING NO 圖號
0 PLC ±		PRODUCT SPEC 製品規格		A3		00779		1939053	
1 PLC ±		APPLICATION SPEC 取件適用規格		CUSTOMER DRAWING		SCALE 尺碼		SHEET 2 OF 3	
2 PLC ±		WEIGHT		SCALE 尺碼		4:1		REV E	
3 PLC ±									
4 PLC ±									
ANGLES ±									
FINISH 仕上									

THIS DRAWING IS UNPUBLISHED. RELEASED FOR PUBLICATION .2006.
 © COPYRIGHT 2006 By - ALL RIGHTS RESERVED.

LOC	DIST	REVISIONS				
J		REV	DESCRIPTION	DATE	DWN	APVD
			SEE SHEET 1			



REFERENCE: SUB ASSY

NAME	TOOLING STATUS	P/N	DESCRIPTION	PART NO.	MATERIAL	FINISH	ITEM
SUB ASSY	NOT AVAILABLE	1-1939079-2	LOCK LEVER	1981274-3	STAINLESS STEEL		⑥
			BOTTOM COVER	1981244-1	THERMO PLASTIC		⑤
			HOUSING	1939055-1	THERMO PLASTIC		④
			CONTACT C	1981214-3	COPPER ALLOY	SELECTIVE Au PLATED OVER Ni-Pd PLATED OVER Ni PLATED	③
			CONTACT B	1939058-3	COPPER ALLOY	SELECTIVE Au PLATED OVER Ni-Pd PLATED OVER Ni PLATED	②
			CONTACT A	1939057-3	COPPER ALLOY	SELECTIVE Au PLATED OVER Ni-Pd PLATED OVER Ni PLATED	①
	AVAILABLE	1-1939079-1	LOCK LEVER	1981274-3	STAINLESS STEEL		⑥
			BOTTOM COVER	1981244-1	THERMO PLASTIC		⑤
			HOUSING	1939055-1	THERMO PLASTIC		④
			CONTACT C	1981214-2	COPPER ALLOY	SELECTIVE Au PLATED OVER Ni PLATED	③
			CONTACT B	1939058-2	COPPER ALLOY	SELECTIVE Au PLATED OVER Ni PLATED	②
			CONTACT A	1939057-2	COPPER ALLOY	SELECTIVE Au PLATED OVER Ni PLATED	①

THIS DRAWING IS A CONTROLLED DOCUMENT.

DIMENSIONS: 單位: 毫米 mm	TOLERANCES UNLESS OTHERWISE SPECIFIED: 公差	DWN	TE Connectivity MICRO USB I/O PLUG TYPE A KIT											
<table border="1"> <tr><td>0 PLC</td><td>±</td></tr> <tr><td>1 PLC</td><td>±</td></tr> <tr><td>2 PLC</td><td>±</td></tr> <tr><td>3 PLC</td><td>±</td></tr> <tr><td>4 PLC</td><td>±</td></tr> <tr><td>ANGLES</td><td>±</td></tr> </table>	0 PLC	±		1 PLC	±	2 PLC	±	3 PLC	±	4 PLC	±	ANGLES	±	FINISH 仕上
0 PLC	±													
1 PLC	±													
2 PLC	±													
3 PLC	±													
4 PLC	±													
ANGLES	±													
MATERIAL 材料		CUSTOMER DRAWING	SCALE 尺度 5:1 SHEET 3 of 3 REV E											