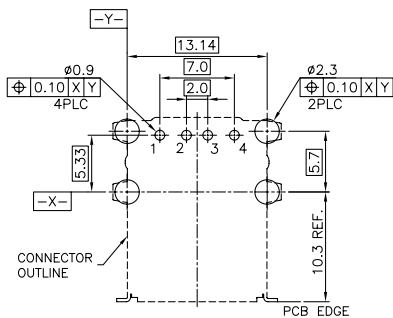
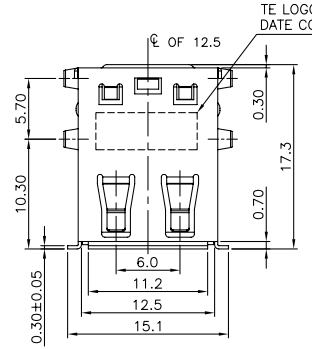


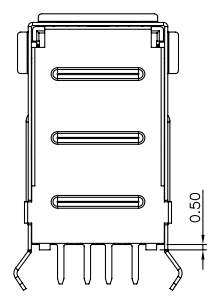
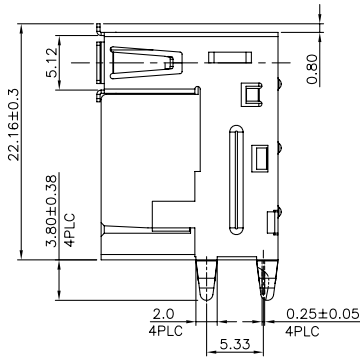
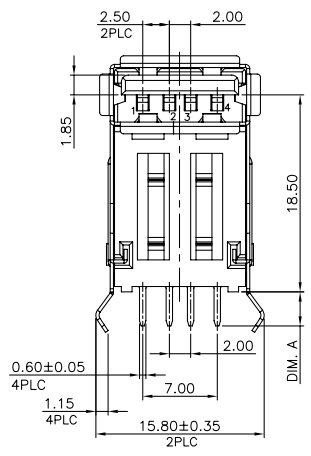
THIS DRAWING IS UNPUBLISHED. RELEASED FOR PUBLICATION
 © COPYRIGHT BY TYCO ELECTRONICS CORPORATION. ALL RIGHTS RESERVED.

LOC	DIST	REVISIONS			
P	LTR	DESCRIPTION	DATE	DWN	APVD
DW		RELEASE	20MAR08	SC	WK



RECOMMENDED P.C.B LAYOUT
 TOP VIEW, TOLERANCE: ±0.05

- NOTES:
- MATERIAL:
 HOUSING: NYLON 9T, UL 94V-0, COLOR: BLACK (426C)
 CONTACTS: PHOSPHOR BRONZE.
 SHELL: BRASS.
 REAR SHELL: STEEL.
 - FINISH:
 CONTACTS: SELECTIVE GOLD PLATING (SEE TABLE) ON CONTACT AREA, 2.54um[100u"] MIN. MATTE-TIN PLATING ON SOLDERTAILS, 1.27um[50u"] MIN. NICKEL UNDERPLATED OVERALL.
 SHELL: 2.54um[100u"] MIN. BRIGHT-TIN OVER 1.27um[50u"] MIN. NICKEL UNDERPLATING OVERALL.
 REAR SHELL: 1.27um[50u"] MIN. NICKEL PLATING
 - RECOMMENDED PCB THICKNESS: 1.6
 - WAVE SOLDER CAPABLE TO 265° PER TE SPEC. 109-202, CONDITION B

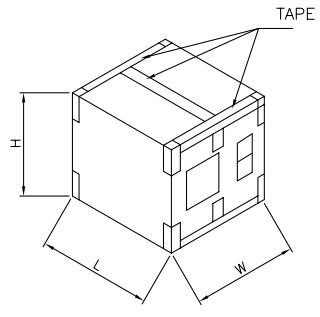
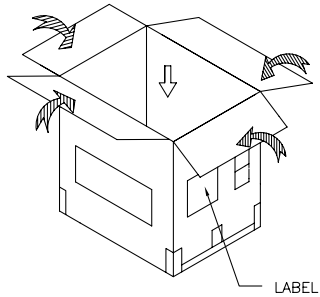
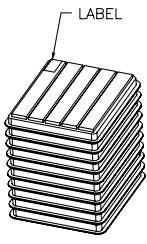
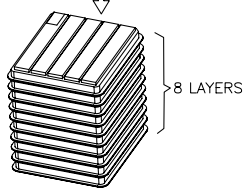
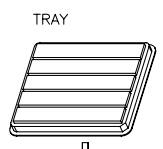
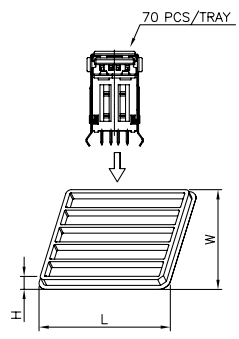


3.2	0.762um[30u"]	1775799-4
	0.381um[15u"]	1775799-3
2.8	0.762um[30u"]	1775799-2
	0.381um[15u"]	1775799-1
DIM A	GOLD PLATING	PART NUMBER

THIS DRAWING IS A CONTROLLED DOCUMENT.		DWN S. CHIEN 20MAR2008	Tyco Electronics Tyco Electronics Corporation Taipei, Taiwan	
DIMENSIONS: MM		CHK S. HOU 20MAR2008	NAME USB, RECEPTACLE, HIGH RISE, RIGHT-ANGLE, DIP	
TOLERANCES UNLESS OTHERWISE SPECIFIED: 0 PLC ± - 1 PLC ± 0.30 2 PLC ± 0.25 3 PLC ± 0.20 4 PLC ± - ANGLES ± 3°		APVD W. KODAMA 20MAR2008	QUALIFICATION TEST REPORT 108-57519 501-57789	
MATERIAL SEE NOTE		FINISH SEE NOTE	SIZE A3	CAGE CODE 00779
		WEIGHT 6.5 GRAMS	DRAWING NO. C-1775799	RESTRICTED TO
		CUSTOMER DRAWING	SCALE	SHEET 1 of 2 REV A

THIS DRAWING IS UNPUBLISHED. RELEASED FOR PUBLICATION
 © COPYRIGHT BY TYCO ELECTRONICS CORPORATION. ALL RIGHTS RESERVED.

LOC	DIST	REVISIONS			
P	LTR	DESCRIPTION	DATE	DWN	APVD
		SEE SHEET 1.			



- NOTES:
- MATERIAL:
 TRAY: PVC
 SHIPPING CARTON: CORRUGATED FIBERBOARD
 - DIMENSION:
 TRAY: L=290, W=250, H=19
 SHIPPING BOX: L=300, W=260, H=150
 - QUANTITY: SEE TABLE
 - SHIPPING BOX WEIGHT: SEE TABLE

4.64	3.64	70	8	560
G.W(KG)	N.W(KG)	PCS/ TRAY	TRAY/ SHIPPING BOX	PCS/ SHIPPING BOX

THIS DRAWING IS A CONTROLLED DOCUMENT.		DWN	Tyco Electronics Corporation Taipei, Taiwan		
DIMENSIONS: MM		CHK	NAME		
TOLERANCES UNLESS OTHERWISE SPECIFIED:		APVD	USB, RECEPTACLE, HIGH RISE, RIGHT-ANGLE, DIP		
0 PLC ± -		PRODUCT SPEC	SIZE CAGE CODE DRAWING NO		
1 PLC ± -		APPLICATION SPEC	A3 00779 C-1775799		
2 PLC ± -		WEIGHT	RESTRICTED TO		
3 PLC ± -			CUSTOMER DRAWING		
4 PLC ± -			SCALE SHEET 2 of 2 REV A		
ANGLES ± -					
FINISH					