

4

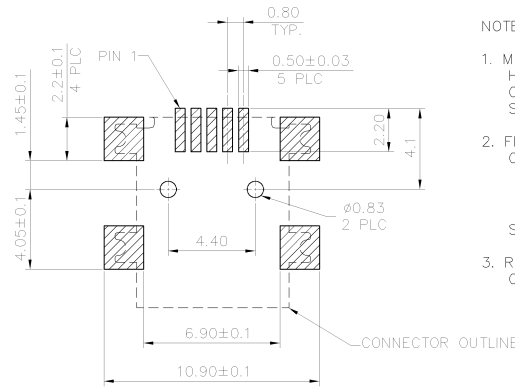
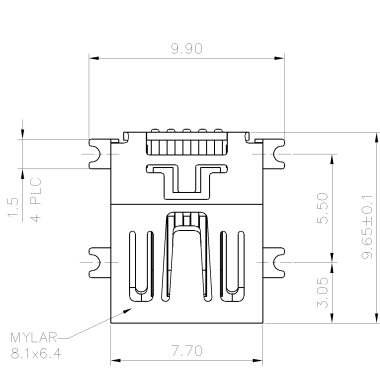
3

2

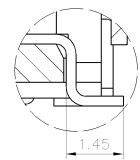
1

THIS DRAWING IS UNPUBLISHED. RELEASED FOR PUBLICATION
 © COPYRIGHT - BY TYCO ELECTRONICS CORPORATION. ALL RIGHTS RESERVED.

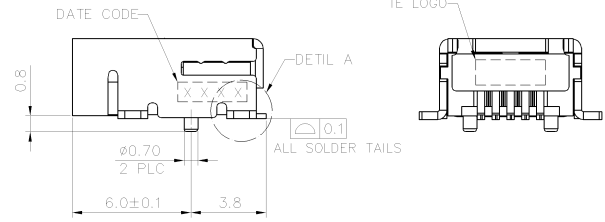
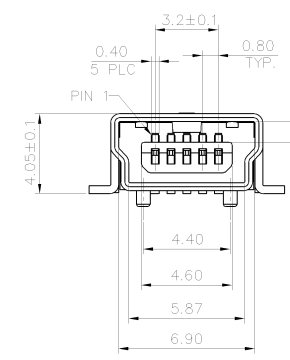
LOC	DIST	REVISIONS			
P	LTR	DESCRIPTION	DATE	DWN	APVD
	A	RELEASED	01NOV07	AW	WK



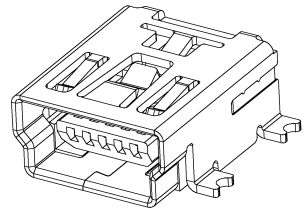
- NOTE:
- MATERIAL:
HOUSING: LCP WITH 30% GF, UL 94V-0, BLACK COLOR.
CONTACTS: PHOSPHOR BRONZE.
SHELL: BRASS.
 - FINISH:
CONTACTS: GOLD FLASH PLATED ON CONTACT AREA, 2.54µm [100µ"] MIN. MATTE-TIN ON SOLDER TAIL, WITH ENTIRE CONTACT UNDERPLATED 1.27µm [50µ"] MIN. NICKEL.
SHELL: 2.03µm [80µ"] MIN. NICKEL PLATED.
 - REFLOW SOLDER CAPABLE TO 260°C PER TE TEST SPEC. 109-201, CONDITION B.



RECOMMENDED PCB LAYOUT



W/O	TUBE	0.762µm [30µ"]	1775738-9
	TUBE	0.381µm [15µ"]	1775738-8
	TUBE	GOLD FLASH	1775738-7
WITH	TUBE	0.762µm [30µ"]	1775738-6
	TUBE	0.381µm [15µ"]	1775738-5
	TUBE	GOLD FLASH	1775738-4
	TAPE & REEL	0.762µm [30µ"]	1775738-3
	TAPE & REEL	0.381µm [15µ"]	1775738-2
MYLAR	PACKING	MIN. GOLD THICKNESS	PART NUMBER
			1775738-1



THIS DRAWING IS A CONTROLLED DOCUMENT.

DIMENSIONS: MM	TOLERANCES UNLESS OTHERWISE SPECIFIED: 0 PLC ± - 1 PLC ± 0.20 2 PLC ± 0.15 3 PLC ± - 4 PLC ± - ANGLES ± -	DWN: A. WU 01NOV2007 CHK: S. HOU 01NOV2007 APVD: W. J. KE 01NOV2007	Tyco Electronics Corporation Taipei, Taiwan	
MATERIAL: SEE NOTE	FINISH: SEE NOTE	PRODUCT SPEC: 108-57677 QUALIFICATION TEST REPORT: 501-57784	MINI USB "B" TYPE, RECEPTACLE SIZE: A3 CAGE CODE: 00779 DRAWING NO: C=1775738	
CUSTOMER DRAWING		WEIGHT: 0.662 GRAMS	RESTRICTED TO: -	SCALE: - SHEET: 1 OF 3 REV: A

4

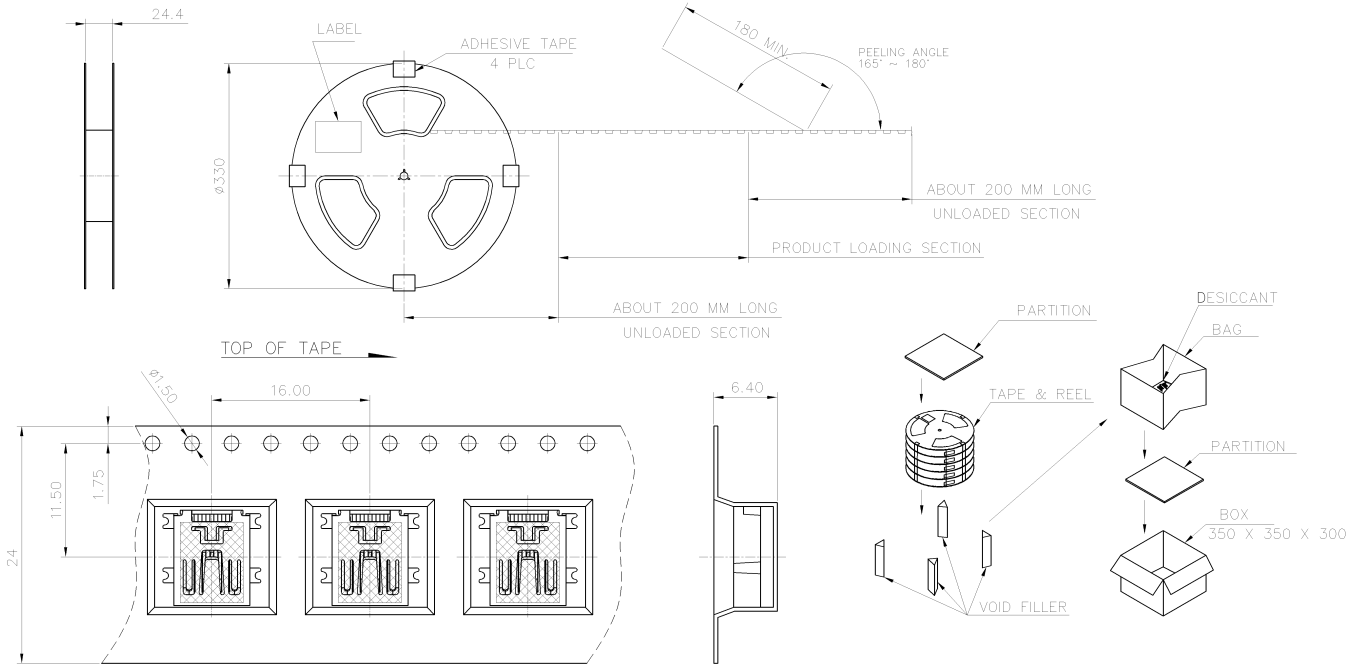
3

2

1

THIS DRAWING IS UNPUBLISHED. RELEASED FOR PUBLICATION
 © COPYRIGHT - BY TYCO ELECTRONICS CORPORATION. ALL RIGHTS RESERVED.

LOC	DIST	REVISIONS				
P	LTR	DESCRIPTION	DATE	DWN	APVD	
DW	-	SEE SHEET 1.				



24	700	9	6300	5.6	3.8	5
DIM W	PCS/TAPE	REELS/BOX	QUANTITY (PCS)	G/W (Kg)	N/W (Kg)	NO. OF CONTACTS

THIS DRAWING IS A CONTROLLED DOCUMENT.		DWN	A. WU	01NOV2007
DIMENSIONS: MM		CHK	S. HOU	01NOV2007
TOLERANCES UNLESS OTHERWISE SPECIFIED:		APVD	W. J. KE	01NOV2007
0 PLC	± -	PRODUCT SPEC		
1 PLC	± -	APPLICATION SPEC		
2 PLC	± -	WEIGHT		
3 PLC	± -	CUSTOMER DRAWING		
4 PLC	± -	SCALE		
ANGLES	± -	SHEET		
MATERIAL	FINISH	REV		

Tyco Electronics		Tyco Electronics Corporation	
		Taipei, Taiwan	
NAME			
MINI USB "B" TYPE, RECEPTACLE			
SIZE	CAGE CODE	DRAWING NO	RESTRICTED TO
A3	00779	C-1775738	-
CUSTOMER DRAWING		SCALE	SHEET
		-	2 of 3
			REV A

4

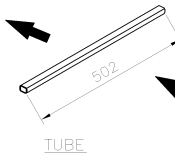
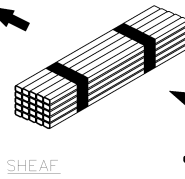
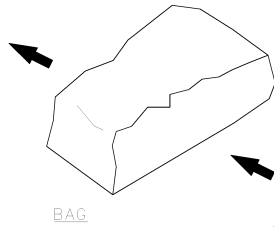
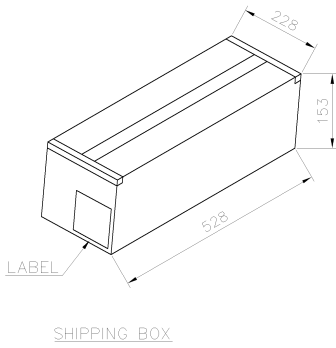
3

2

1

THIS DRAWING IS UNPUBLISHED. RELEASED FOR PUBLICATION
 © COPYRIGHT - BY TYCO ELECTRONICS CORPORATION. ALL RIGHTS RESERVED.

LOC	DIST	REVISIONS			
P	LTR	DESCRIPTION	DATE	DWN	APVD
DW	-	SEE SHEET 1.			



9.0 Kg	5.8 Kg	50	200	10000 PCS
G/W (Kg)	N/W (Kg)	PCS/TUBE	TUBES /BOX	QUANTITY

THIS DRAWING IS A CONTROLLED DOCUMENT.		DWN A. WU 01NOV2007	Tyco Electronics Tyco Electronics Corporation Taipei, Taiwan													
DIMENSIONS: MM		CHK S. HOU 01NOV2007	NAME													
<table border="1"> <tr><td>0 PLC</td><td>± -</td></tr> <tr><td>1 PLC</td><td>± -</td></tr> <tr><td>2 PLC</td><td>± -</td></tr> <tr><td>3 PLC</td><td>± -</td></tr> <tr><td>4 PLC</td><td>± -</td></tr> <tr><td>ANGLES</td><td>± -</td></tr> </table>		0 PLC	± -	1 PLC	± -	2 PLC	± -	3 PLC	± -	4 PLC	± -	ANGLES	± -	APVD W. J. KE 01NOV2007	MINI USB "B" TYPE, RECEPTACLE	
0 PLC	± -															
1 PLC	± -															
2 PLC	± -															
3 PLC	± -															
4 PLC	± -															
ANGLES	± -															
MATERIAL		PRODUCT SPEC	RESTRICTED TO													
FINISH		APPLICATION SPEC	SIZE A3	CAGE CODE 00779												
		WEIGHT	DRAWING NO C-1775738													
CUSTOMER DRAWING			SCALE	SHEET 3 of 3												
			REV	A												