

4

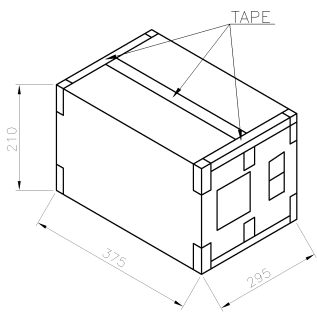
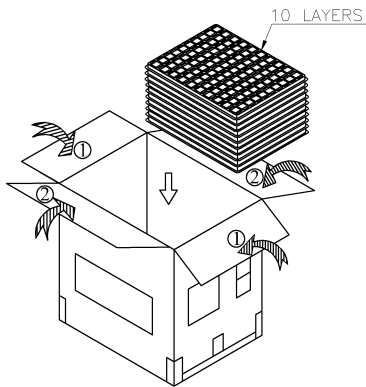
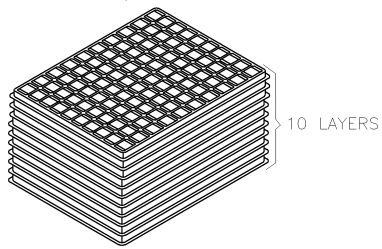
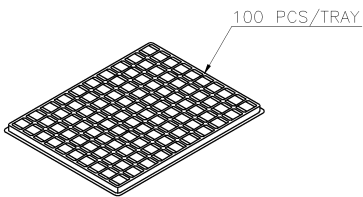
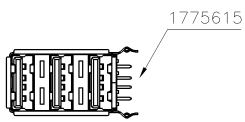
3

2

1

THIS DRAWING IS UNPUBLISHED. RELEASED FOR PUBLICATION
 © COPYRIGHT 2011 BY TYCO ELECTRONICS CORPORATION. ALL RIGHTS RESERVED.

LOC		DIST		REVISIONS				
P	LTR	DESCRIPTION			DATE	DWN	APVD	
		SEE SHEET 1.						



- NOTES:
1. DIMENSION:
 TRAY: L= 360, W=280, H=25
 SHIPPING CARTON: L= 375, W=295, H=210
 2. QUANTITY: (SEE TABLE)
 3. CARTON WEIGHT: (SEE TABLE)

13.0 Kg	12.0 Kg	100	10	1000 PCS
GROSS WEIGHT	NET WEIGHT	PCS/TRAY	TRAYS /CARTON	QUANTITY

THIS DRAWING IS A CONTROLLED DOCUMENT.		DWN	TE TE Connectivity	
DIMENSIONS: mm		CHK		
TOLERANCES UNLESS OTHERWISE SPECIFIED:		APVD	NAME	
0 PLC ± .1		PRODUCT SPEC	TRIPLE STACKED USB, A TYPE R/A, RECEPTACLE, DIP CONNECTOR	
1 PLC ± .1		APPLICATION SPEC	SIZE CAGE CODE DRAWING NO	
2 PLC ± .1		WEIGHT	A3 00779 C-1775615	
3 PLC ± .1		CUSTOMER DRAWING	RESTRICTED TO	
4 PLC ± .1		SCALE	SHEET 2 OF 2	
MATERIAL FINISH		REV	A1	