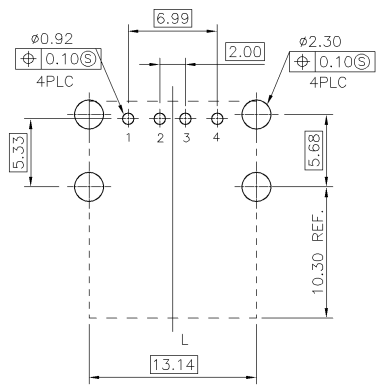
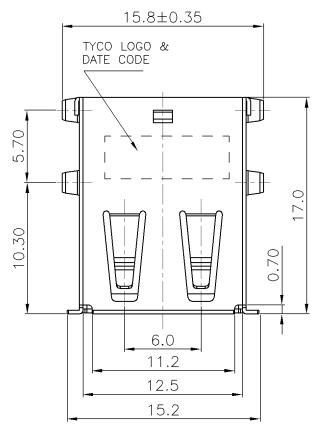


NUMBER C-1775315

METRIC 3RD ANGLE PROJECTION

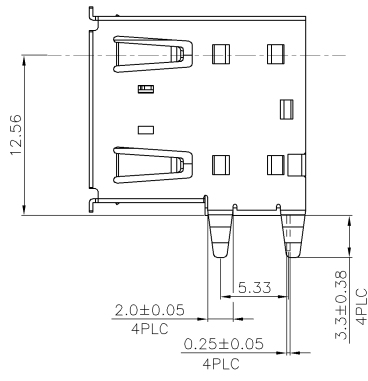
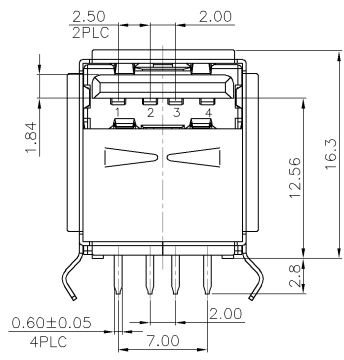
THIS INFORMATION IS CONFIDENTIAL AND IS DISCLOSED TO YOU ON CONDITION THAT YOU WILL NOT DISCLOSE IT TO ANY OTHER PERSONS WITHOUT THE WRITTEN AUTHORIZATION OF TYCO HOLDINGS (BERMUDA) LTD. DIMENSIONS IN MILLIMETERS. DO NOT SCALE PRINT.

PRINT DW



RECOMMEND PCB LAYOUT
TOLERANCE: ±0.05

- NOTES:
- MATERIAL:
HOUSING: THERMOPALASTIC (NYLON 6T), HIGH TEMP, UL 94V-0
COLOR: BLACK (426C)
CONTACTS: PHOSPHOR BRONZE, t=0.25
SHELL: BRASS, t=0.3
REAR SHELL: STEEL, t=0.3
 - FINISH:
CONTACTS: GOLD PLATING ON CONTACT AREA
2.54um[100u"] MIN. BRIGHT TIN PLATING ON SOLDERTAILS
1.27um[50u"] MIN. NICKEL UNDERPLATED OVER ALL
SHELL: 2.54um[100u"] MIN. BRIGHT TIN PLATING
OVER 1.27um[50u"] MIN. NICKEL PLATING
REAR SHELL: 1.27um[50u"] MIN. NICKEL PLATING
 - RECOMMENDED PCB THICKNESS: 1.6
 - WAVE SOLDER CAPABLE TO 265°
PER TYCO SPEC. 109-202, CONDITION B



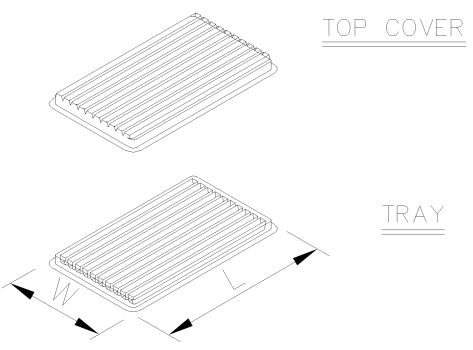
A	FIRST RELEASED	--	JL	05-JUL-2006
LTR	REVISION RECORD	ECN	DWN	DATE

TOLERANCES UNLESS OTHERWISE SPECIFIED:	DWN	J. LEE
0 PLC ±	CHK	05-JUL-2006
1 PLC ±0.3		S. HOU
2 PLC ±0.2		05-JUL-2006
3 PLC ±0.2		NAME
ANGLES ±3°	APVD	W.J. KE
		05-JUL-2006
MATERIAL	PRODUCT SPEC	108-57519
SEE NOTE	QUALIFICATION TEST REPORT	501-57592
FINISH	WEIGHT	5.10 GRAM
SEE NOTE		

30 u"	1775315-2
15 u"	1775315-1
GOLD PLATING	PART NUMBER
TYCO HOLDINGS (BERMUDA) VII LTD. TAIWAN BRANCH	
USB, A TYPE, HIGH RISE, R/A, DIP	
LDC	SIZE
DW	A3
DRAWING NO	C-1775315
SCALE	--
REV	A
SHEET	1 OF 2

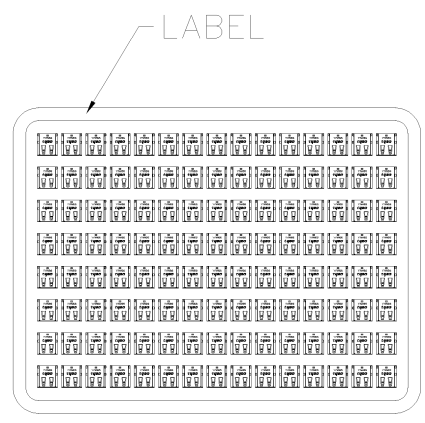
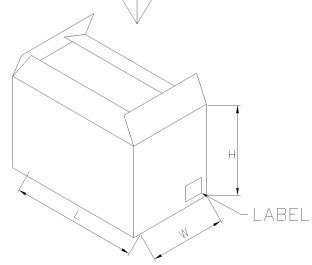
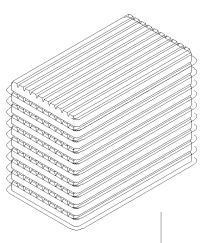
30 u"	1775315-2
15 u"	1775315-1
GOLD PLATING	PART NUMBER
TYCO HOLDINGS (BERMUDA) VII LTD. TAIWAN BRANCH	
USB, A TYPE, HIGH RISE, R/A, DIP	
LDC	SIZE
DW	A3
DRAWING NO	C-1775315
SCALE	--
REV	A
SHEET	1 OF 2

CUSTOMER DRAWING



TOP COVER

TRAY



TRAY LAYOUT

NOTES:

- MATERIAL:
 TRAY: PVC
 SHIPPING CARTON: CORRUGATED FIBERBOARD
- DIMENSION:
 TRAY: L=310, W=230, H=22.5
 SHIPPING CARTON: L=320, W=240, H=230
- QUANTITY:
 PRIMARY PACKING: 120 PCS/TRAY
 SECONDARY PACKING: 10 TRAY/CARTON(1,200PCS)
- CARTON WEIGHT:
 NET WEIGHT: 6.12Kg
 GROSS WEIGHT: 7Kg

TOLERANCES UNLESS OTHERWISE SPECIFIED: 0 PLC ± 1 PLC ± 2 PLC ± 3 PLC ± ANGLES ±	DWN J. LEE 05-JUL-2006	tyco Electronics NAME TYCO HOLDINGS (BERMUDA) VII LTD. TAIWAN BRANCH
MATERIAL SEE NOTE	APVD W.J. KE 05-JUL-2006	USB, A TYPE, HIGH RISE, R/A, DIP
FINISH SEE NOTE	QUALIFICATION TEST-REPORT WEIGHT	LOC SIZE DRAWING NO DW A ₃ C-1775315 SCALE SHEET -- 2 OF 2

SEE SHEET 1	--		
LTR	REVISION RECORD	ECN	DWN DATE